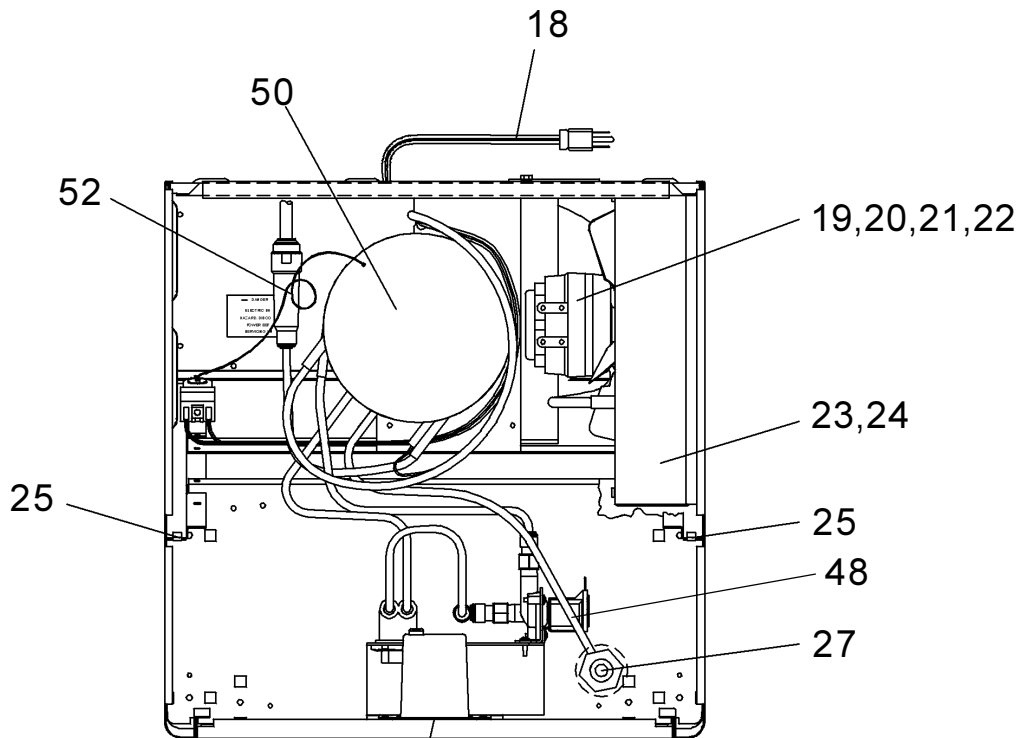
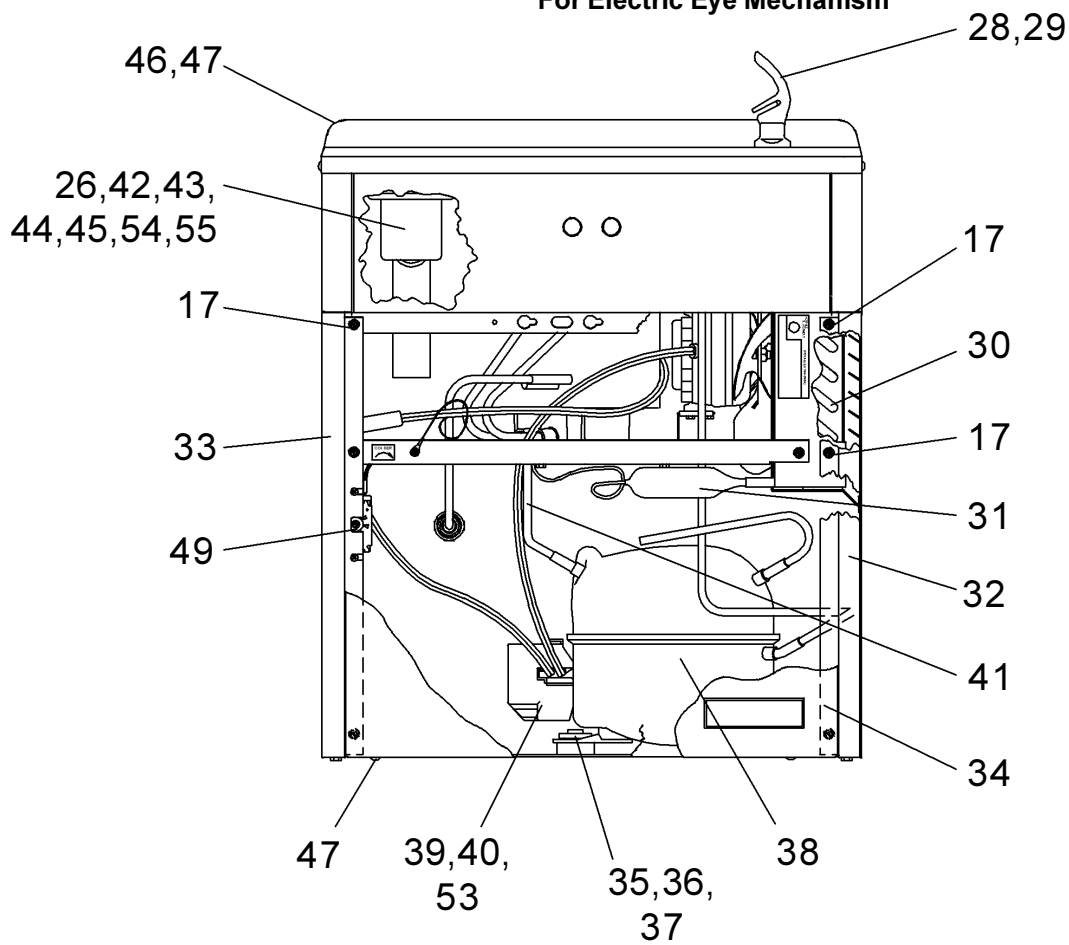


HAC8EE*1D, HAC8EE*2D
HALSEY TAYLOR OWNERS MANUAL
 USES HFC-134A REFRIGERANT



**See Fig. 3 (on Page 3)
 For Electric Eye Mechanism**



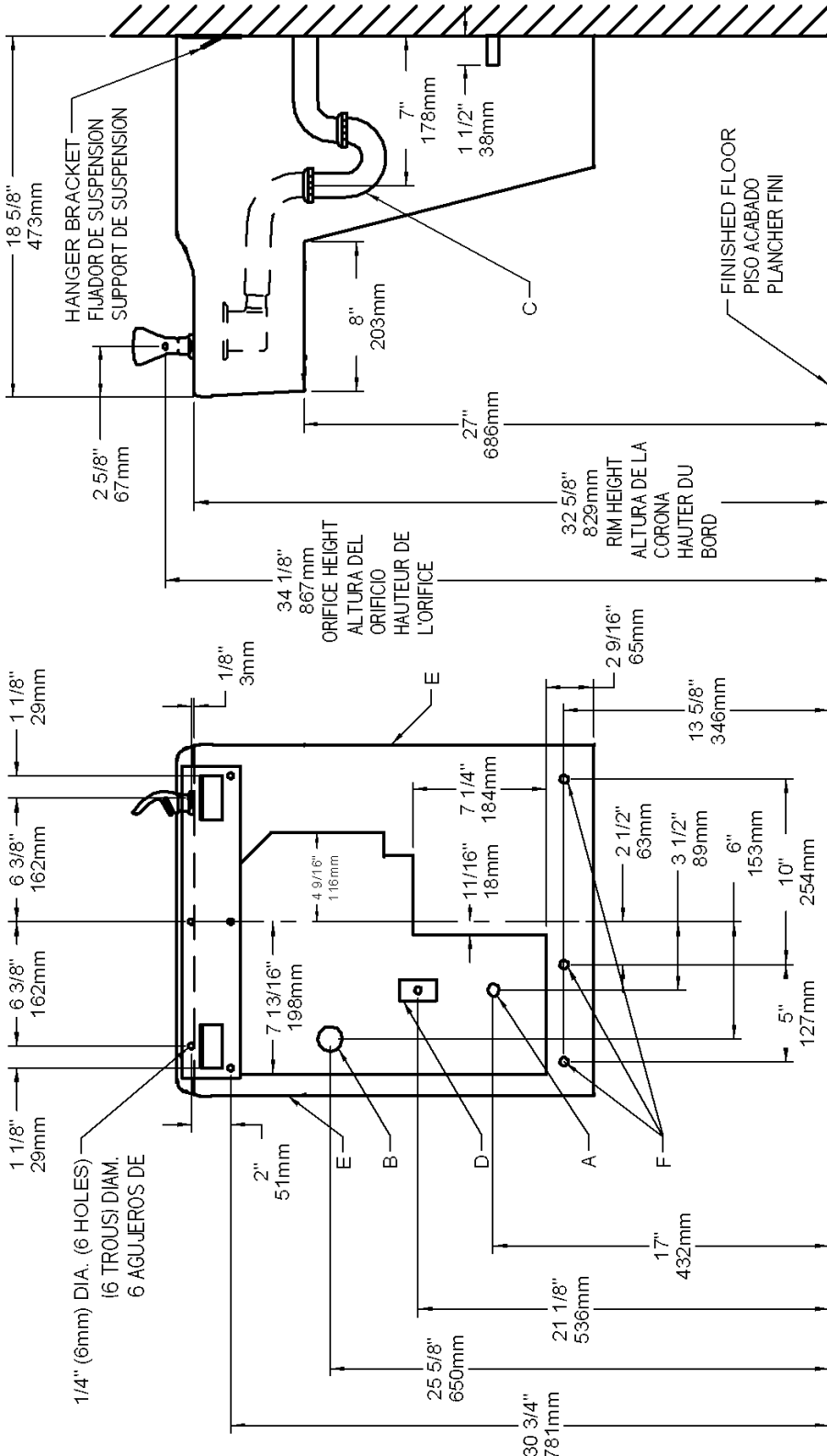


FIG. 2

LEGENDA/LEYENDA/LÉGENDE
A = RECOMMENDED WATER SUPPLY LOCATION 3/8 O.D. UNPLATED COPPER TUBE CONNECT STUB 1-1/2 IN. (38 mm) OUT FROM WALL SHUT OFF BY OTHERS

B = RECOMMENDED LOCATION FOR WASTE OUTLET 1-1/4" O.D. DRAIN
 SE RECOMIENDA UBICAR EL TUBO CORTO DE CONEXIÓN AL TUBO DE COBRE SIN CHAPAR DE 3/8" DE DIÁM. EXT. A 1-1/2" (38 mm) FUERA DE LA LLAVE DE PASO EN LA PARED COLOCADA POR TERCEROS.
 EMPLACEMENT RECOMMANDÉ D'ALIMENTATION EN EAU PAR TUBE EN CUIVRE NON PLAQUÉ DE 3/8 PO. (9.5 mm) D.E. CONNECTANT UNE TUYAUTERIE DE 1-1/2 PO. (38 mm) DEPUIS LE ROBINET D'ARRÊT FOURNI PAR D'AUTRES.

C = 1-1/4" TRAP NOT FURNISHED*
 UBICACION RECOMENDADA PARA EL DRENAJE DE SALIDA DE AGUA, DE 1 1/4" DE DIÁMETRO.
 EMPLACEMENT RECOMMANDÉ POUR LE DRAIN DE D.E. 1-1/4" DE SORTIE D'EAU.
 PURGADOR DE 1 1/4" NO PROPORCIONADO*

D = ELECTRICAL SUPPLY (3) WIRE RECESSED BOX
 SIPHON 1-1/4 NON FOURNI**
 CAJA RECESADA DE ALAMBRES (3) DE SUMINISTRO ELÉCTRICO

E = INSURE PROPER VENTILATION BY MAINTAINING 6" (152 mm) (MIN.) CLEARANCE FROM CABINET LOUVERS TO WALL.
 BOÎTE ENCASTRÉE D'ALIMENTATION ÉLECTRIQUE (3) FILS
 ASEGURE UNA VENTILACION ADECUADA MANTENIENDO UN ESPACIO E 6" (152 mm) (MIN.) DE HOLLGURA ENTRE LA REJILLA DE VENTILACION DEL MUEBLE Y LA PARED

F = 7/16 BOLT HOLES FOR FASTENING UNIT TO WALL
 ASSUREZ-VOUS UNE BONNE VENTILATION EN GARDANT 6" (152 mm) (MIN.) ENTRE LES ÉVÉNENTS DE L'ENCEINTE ET LE MUR.
 AGUJEROS DE LAS TUERCAS DE 7/16 PARA SUJETAR LA UNIDAD A LA PARED

TROUS DE CROUS 7/16 POUR FIXER L'APPAREIL AU MUR

*ADA REQUIREMENT
 *REQUISITO DE A.D.A.
 *EXIGENCE ADA

**When replacing a Model "BFC" with a new unit Model "HAC", installer must cut 1-1/2 inches from length of cooler waste line before connecting to trap (see installation instruction No. 7)
 **Cuando reemplaza un Modelo "BFC" con una unidad nueva Modelo "HAC" el instalador deberá cortar 1 1/2 pulgadas del largo del tubo de desagüe del enfriador antes de conectar el purgador (vea las instrucciones de instalación No. 7)
 **En remplaçant un modèle "BFC" avec un nouveau modèle "HAC", l'installateur doit couper 1 1/2 pouce de longueur de la canalisation résiduaire du refroidisseur avant de le raccorder au siphon (voir instruction d'installation no. 7)

PUSH BAR MECHANISM

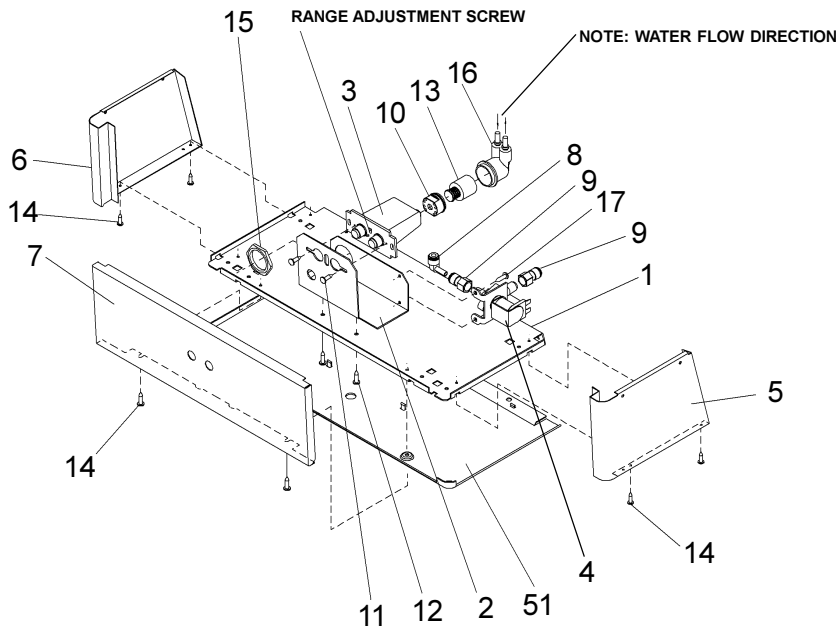


FIG. 3

Sensor Control: If sensor fails to operate valve mechanism or operates erratically, check the following.

- Ensure there are no obstructions within a 40-inch radius from front of cooler.
- Check wire connections at solenoid valve and sensor.
CAUTION: Make sure unit is unplugged before checking any wiring.
- Ensure proper operation of solenoid valve. If there is an audible clicking sound yet no water flows, look for an obstruction in the valve itself or elsewhere in the water supply line.

Sensor Range Adjustment: The electronic sensor used in this cooler is factory pre-set for a "visual" range of 36 inches. If actual range varies greatly from this, or a different setting is desired, follow the range adjustment procedure below:

- Remove front panel of cooler.
- Using a small tip screwdriver, rotate range adjustment screw clockwise to increase range and counter-clockwise to decrease range. (See Fig. 3).
CAUTION: Complete range of sensor (24-48 inches) is only one turn of the adjusting screw.
- Replace the front panel.

**IMPORTANT
ALL SERVICE TO BE PERFORMED BY AN
AUTHORIZED SERVICE PERSON**

CAUTION: Cleaning of Aztec Gold Models requires special care. Outer surfaces must be cleaned with a mild detergent or mixture of vinegar and water only, rinsed and wiped dry. Abrasive and acidic cleaners may eventually damage the Aztec Gold finish.

**HANGER BRACKETS & TRAP
INSTALLATION**

- Remove hanger bracket fastened to back of cooler by removing one (1) screw.
 - Mount the hanger bracket and trap as shown in Figure 2.
NOTE: Hanger Bracket **MUST** be supported securely. Add fixture support carrier if wall will not provide adequate support.
- IMPORTANT:**
- 7 in. (178mm) dimension from wall to centerline of trap must be maintained for proper fit.
 - Anchor hanger securely to wall using all six (6) 1/4 in. dia. mounting holes.
- Install straight valve for 3/8" O.D. tube.

INSTALLATION OF COOLER

- Hang the cooler on the hanger bracket. Be certain the hanger bracket is engaged properly in the slots on the cooler back as shown in Fig. 4.
- Loosen the two (2) screws holding the lower front panel at the bottom of cooler base and two (2) screws at the top. Remove the front panel and set aside.
- Connect water inlet line--See Note 4 of General Instructions.
- Remove the slip nut and gasket from the trap and install them on the cooler waste line making sure that the end of the waste line fits into the trap. Assemble the slip nut and gasket to the trap and tighten securely.

START UP

Also See General Instructions

- Stream height is factory set at 45-50 PSI. If supply pressure varies greatly from this, readjust stream height to approximately 1-1/2" (38mm) above the bubbler guard by turning adjustment screw, accessible by removing front panel, Item No. 7 (see Fig. 3 & 5).
- Replace the front panel and secure by retightening four (4) screws.
- If a taste, odor or sediment problem is prevalent, try installing our water filter module, part no 73-15242-51-550

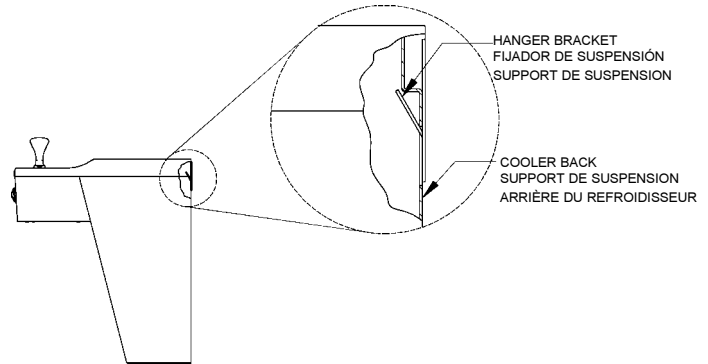
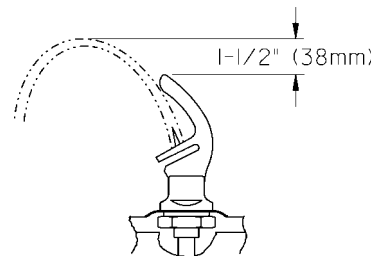


FIG. 4



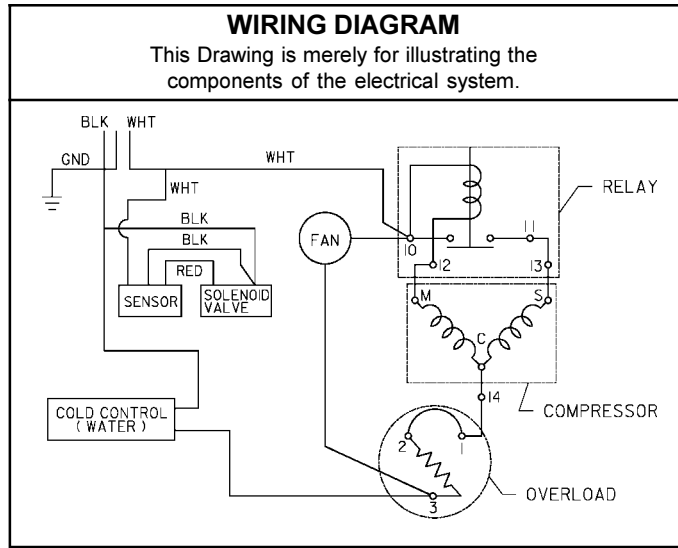
CORRECT STREAM HEIGHT

FIG. 5

ITEMIZED PARTS LIST

| ITEM NO | PART NO | DESCRIPTION |
|---------|-----------------|---------------------------------------|
| 1 | 22897C | Panel - Bottom Dispenser |
| 2 | 26729C | Bracket - Valve Mounting |
| 3 | 36028C | Sensor - Clear (115V & 230V) |
| 4 | 31272C | Solenoid Valve (115V) |
| | 35784C | Solenoid Valve (230V) |
| 5 | See Color Table | Panel - Right Side |
| 6 | See Color Table | Panel - Left Side |
| 7 | See Color Table | Panel - Front |
| 8 | 70817C | Elbow 1/4 Stem x 1/4 O.D. |
| 9 | 75507C | Fitting 1/4 NPTF x 1/4 O.D. |
| 10 | 56082C | Nut - Regulator |
| 11 | 70644C | Screw #6-32 x 1/2" Lg. PHMS |
| 12 | 75497C | Screw #10 x 1/2" Lg. PHSM |
| 13 | 61314C | Regulator |
| 14 | 70864C | Screw #8 x 5/8" Lg. Torx/Slot |
| 15 | 40045C | Hex Nut |
| 16 | 50986C | Holder - Regulator |
| 17 | 70002C | Screw #10 x 1/2" Lg. HHSM |
| 18 | 31483C | Power Cord |
| 19 | 30664C | Fan Blade |
| 20 | 70018C | Hex Nut - Fan Blade |
| 21 | 31490C | Fan Motor |
| 22 | 70009C | Screw - (Fan Motor) |
| 23 | 22899C | Shroud - Fan |
| 24 | 38417001 | Screw - #8-18 x 3/8" Lg. (Fan Shroud) |
| 25 | 75524C | Clip (Front and Rear Panels) |
| 26 | 55884C | Fitting - Drain Elbow |
| 27 | 56159C | Nipple - Bubbler |
| 28 | 51544C | Bubbler - Chrome |
| | 45396C | Bubbler - Aztec Gold |
| 29 | 100322740560 | Gasket - Bubbler (upper and lower) |
| 30 | 62152C | Condenser |
| 31 | 66703C | Drier |
| 32 | See Color Table | Panel - Right Rear |
| 33 | See Color Table | Panel - Left Rear |
| 34 | See Color Table | Panel - Front Lower |
| 35 | 101516143550 | Stud - Compressor Mtg. |
| 36 | 100806740570 | Grommet - Compressor Mtg. |
| 37 | 19037000 | Clip - Compressor Mtg. |
| 38* | 35960C | Compressor Serv. Pak EM65 |
| 39 | 35959C | Relay |
| 40 | 35768C | Cover - Relay |
| 41 | 66532C | Heat Exchanger |
| 42 | 45351C | Waste Line Assembly |
| 43 | 100147140560 | Gasket - Drain |
| 44 | 102639931640 | Drain Plug - Chrome |
| | 45413C | Drain Plug - Aztec Gold |
| 45 | 160270508640 | Strainer Plate - Chrome |
| | 45400C | Strainer Plate - Aztec Gold |
| 46 | 28152C | Basin - Stainless Steel |
| | 27594C | Basin - Aztec Gold |
| 47 | 75634C | Screw - Basin Mtg. (Stainless Steel) |
| | 75605C | Screw - Basin Mtg. (Aztec Gold) |
| 48 | 56092C | Tubing - Poly (Cut To Length) |
| 49 | 31513C | Cold Control |
| 50 | 66534C | Evaporator Assembly |
| 51 | See Color Table | Cover - Dispenser Bottom |
| 52 | 55996C | Strainer |
| 53 | 35958C | Overload |
| 54 | 75588C | Nut - Slip Joint 1-1/4 |
| 55 | 75589C | Gasket |
| NS | 400660943730 | Hanger Bracket |

*REPLACE WITH SAME COMPRESSOR USED IN ORIGINAL ASSEMBLY.
 NOTE: All correspondence pertaining to any of the above water coolers or orders for repair parts MUST include Model No. and Serial No. of cooler, name and part number of replacement part.



| PARTS LIST 230V | | |
|-----------------|----------|----------------------|
| ITEM NO. | PART NO. | DESCRIPTION |
| 21 | 31431C | Fan Motor |
| 38* | 36085C | Compressor Serv. Pak |
| 39 | 36195C | Overload |
| | 36050C | Relay |
| 41 | 66576C | Heat Exchanger |

| COLOR TABLE | | | | |
|-----------------|---------------------|---------------------|---------------------|----------------------|
| PANEL COLOR | Item No. 5 Part No. | Item No. 6 Part No. | Item No. 7 Part No. | Item No. 32 Part No. |
| Almond Vinyl | 23016C | 23009C | 23162C | 22968C |
| Aztec Gold | 27899C | 27897C | 27907C | 27903C |
| Platinum Vinyl | 22820C | 22812C | 23135C | 22860C |
| Stainless Steel | 22822C | 22814C | 23137C | 22862C |
| Slate Vinyl | 22824C | 22816C | 23139C | 22864C |

| COLOR TABLE | | | |
|-----------------|----------------------|----------------------|----------------------|
| PANEL COLOR | Item No. 33 Part No. | Item No. 34 Part No. | Item No. 51 Part No. |
| Almond Vinyl | 22961C | 22954C | 55931C |
| Aztec Gold | 27901C | 27905C | 55930C |
| Platinum Vinyl | 22852C | 22844C | 55931C |
| Stainless Steel | 22854C | 22955C | 55931C |
| Slate Vinyl | 22856C | 22848C | 55931C |

Halsey Taylor

2222 CAMDEN COURT
 OAK BROOK, IL 60523
 630.574.3500