

# MODULAR SYSTEMS

Model HBLNR (Obsolete)

SEE PAGES 48, 49  
FOR NUMBERED PARTS  
SCHEMATIC

## HBLNR PARTS LIST

REF NO	PART NUMBER	DESCRIPTION	5904 Side	6800WC 1-Handle	6800WC 2-Handle
1	16-03165-08-640	Projector	X	X	X
2	10-03227-40-560	Gasket (2 each)	X	X	X
3	16-06092-08-550	Projector Nipple	X	X	X
4	10-10474-42-550	Stream Breaker	X	X	X
5	60-11807-51-550	Supply Line/Regulator Assembly*		X	
5	60-08248-51-550	Supply Line/Regulator Assembly*	X		
5	60-01196-51-550	Regulator*			X
5a	60-08050-51-550	Valve Repair Kit (for item 5)*	X	X	X
6	16-01185-08-550	Regulator Cap (for 1196 regulator)			X
7	60-01128-51-640	Cross Handle Stem Assembly*	X		
7	60-01166-51-640	Lever Handle Stem Assembly*		X	2
7a	60-08250-51-550	Stem Repair Kit (for item 7)*	X	X	X
8	16-01155-08-550	Valve Body			2
9	41-15642-08-640	Nut	X	X	2
10	10-01158-24-740	Gasket	X	X	2
11	11-01157-08-550	Locknut	X	X	2
12	16-16373-08-640	Drain Plug	X	X	X
13	16-02705-08-640	Strainer Plate	X	X	X
14	10-01471-40-560	Waste Gasket	X	X	X
15	60-15374-51-550	Waste Tube Assembly	X	X	X
16	16-08621-51-820	Waste Elbow (not shown)	X	X	X
17	17-26136-42-830	Receptor	X		
17	17-08505-42-830	Receptor		X	
17	17-10420-43-730	Receptor			X
18	40-14443-43-730	Hanger Bracket (not shown)	X		
18	40-14954-43-730	Receptor Hanger (not shown)		X	X
19	NO LONGER AVAILABLE	Cover Plate	X		X
19	40-15379-43-730	Cover Plate		X	
20	60-03421-51-550	Projector Supply Line			X
21	60-10415-51-550	Inlet Supply Tube			X
22	41-11463-42-830	Top Panel	X		
22	41-11727-42-830	Top Panel		X	X
23	60-11143-51-550	Bottom Panel	X		
23	40-11150-42-830	Bottom Panel		X	X
24	60-05022-51-550	Service Valve (accessory)			X

\* Look for detailed schematic of this part in Detailed Parts Section

**To order parts, contact your nearest Halsey Taylor wholesaler or representative.**

*Continued product improvement makes specifications subject to change without notice.*

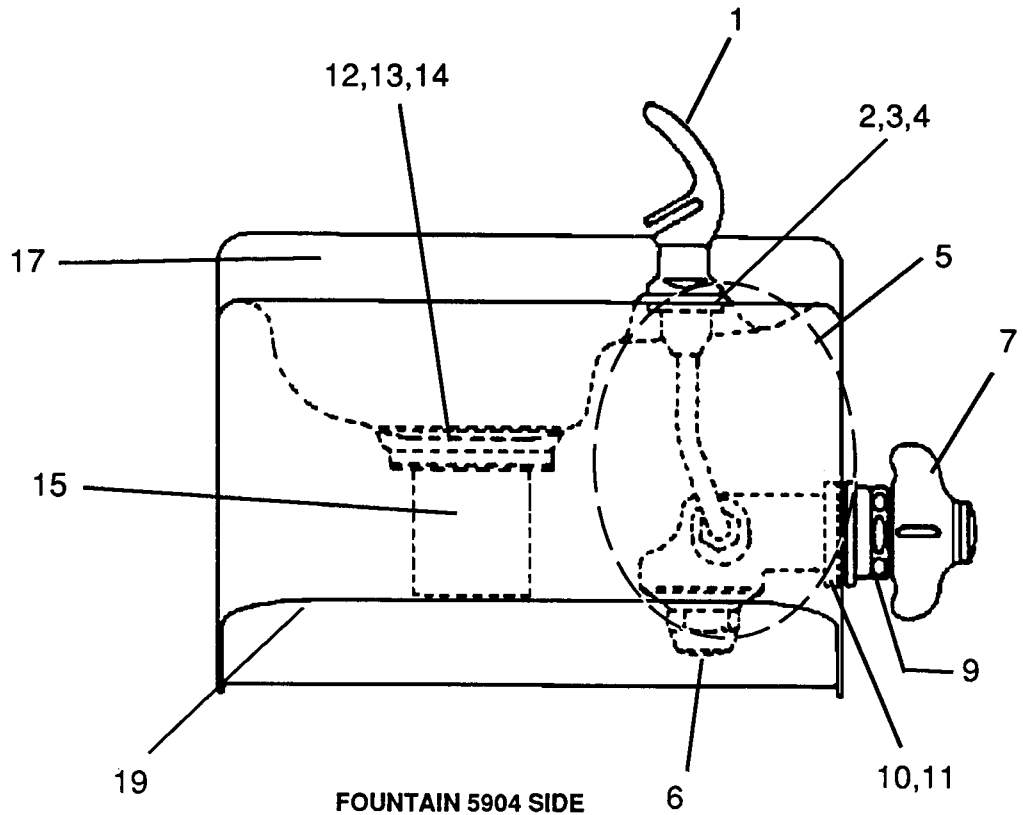
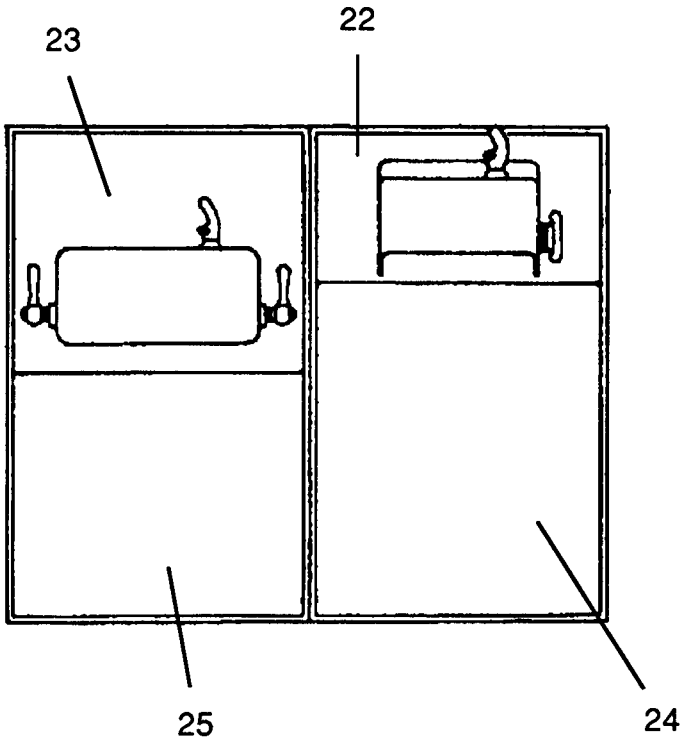
***Halsey Taylor.***

P.O. BOX 9001  
OAKBROOK, ILLINOIS 60521

# MODULAR SYSTEMS

## Model HBLNR (Obsolete)

SEE PAGE 47  
FOR NUMBERED  
REFERENCE CHART



FOUNTAIN 5904 SIDE

**To order parts, contact your nearest Halsey Taylor wholesaler or representative.**

*Continued product improvement makes specifications subject to change without notice.*

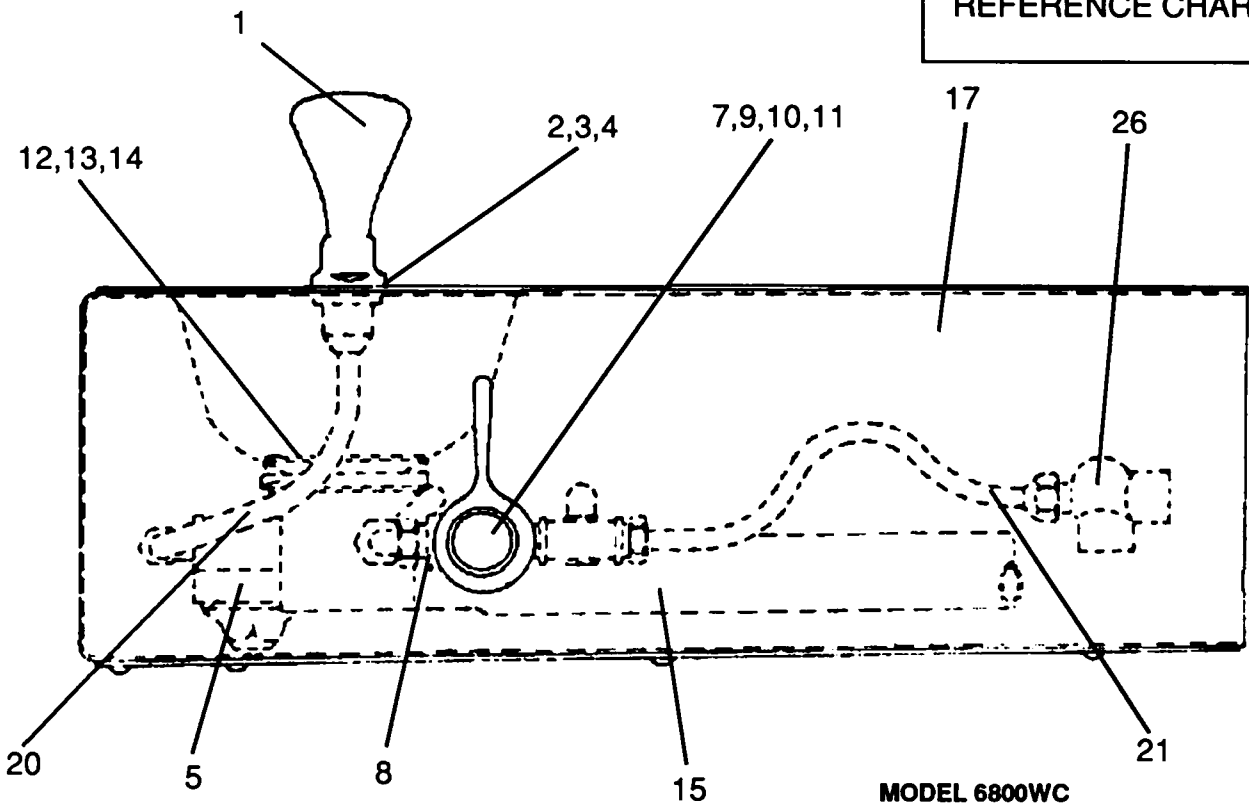
*Halsey Taylor.*

P.O. BOX 9001  
OAKBROOK, ILLINOIS 60521

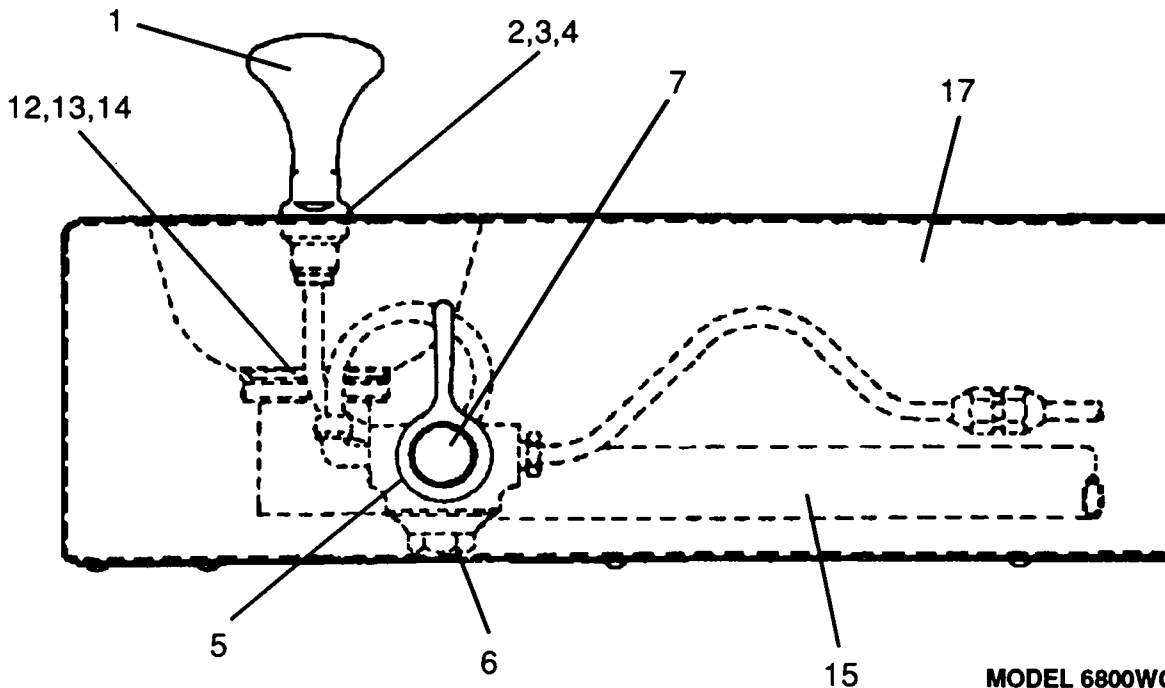
# MODULAR SYSTEMS

Model HBLNR (Obsolete)

SEE PAGE 47  
FOR NUMBERED  
REFERENCE CHART



MODEL 6800WC  
DOUBLE HANDLE



MODEL 6800WC  
SINGLE HANDLE

To order parts, contact your nearest Halsey Taylor wholesaler or representative.

*Continued product improvement makes specifications subject to change without notice.*

**Halsey Taylor.**

P.O. BOX 9001  
OAKBROOK, ILLINOIS 60521