

# MODELS HBW 8A-1 and 13A-1

## HBW 8A-1 and 13A-1 PART LIST

REF NO.	PART NUMBER	DESCRIPTION	HBW8A-1	HBW 13A-1	HBW L/Refrig
1	10-14228-31-840	Projector	X	X	X
2	10-03227-40-560	Projector Gasket (2 each)	X	X	X
3	10-14224-31-550	Projector Nipple	X	X	X
4	60-14801-51-550	Regulator Assembly*	X	X	X
4a	60-14240-51-550	Valve Assembly* (included in item 4)	X	X	X
4b	60-08050-51-550	Diaphragm Repair Kit* (for item 4a)	X	X	X
4c	60-14202-51-550	Valve Stem Assembly* (included in item 4)	X	X	X
5	60-10337-51-590	Push Button Stem Assembly*	X	X	X
6	40-14901-43-730	Lever Arm for Push Button Assembly	X	X	X
7A	60-27030-51-550	Wasteline	X		X
7B	60-27031-51-550	Precooler Assembly (includes items 9 & 10)		X	
8	16-02705-08-840	Strainer Plate (included in 7B)	X	X	X
9	10-26399-31-840	Drain Plug (included in item 7B)	X	X	X
10	10-01471-40-560	Waste Gasket	X	X	X
11	40-26070-31-550	Precooler Baffle		X	
12	60-26486-51-550	Lowside Assembly	X	X	
13	16-01453-08-550	Tank Plug	X	X	
14	19-42339-51-550	Primary Temperature Control (adjustable)	X	X	
15	19-15342-51-550	Secondary Temperature Control (nonadjustable)	X	X	
16	60-15573-51-550	Compressor Assembly	X	X	
16a	19-14062-51-550	Relay (included in item 16)	X	X	
16b	19-14061-51-550	Overload (included in item 16)	X	X	
17	10-10800-51-010	Drier	X	X	
18	19-14761-51-550	Fan Motor	X	X	
19	SEE FAN NOTE**	Fan Blade**	X	X	
20	41-06286-51-730	Fan Bracket	X	X	
21	10-15147-43-730	Shroud	X	X	
22	19-14270-51-550	Condenser	X	X	
23	17-10300-42-590	Receptor	X	X	X
24	11-07119-42-550	Receptor Screws (4 each)	X	X	X
25	40-14954-43-730	Upper Receptor Hanger (not shown)	X	X	X
26	40-06609-43-730	Lower Hanger Bracket (not shown)	X	X	X
27	40-10315-43-XXX	Wrap-Around Panel (not shown)	X	X	X
28	11-03094-43-890	Panel Screws (2 each)	X	X	X
29	13-14419-31-560	Name Plate (not shown)	X	X	X
30	19-26676-51-550	Wiring Assembly	X	X	

### ACCESSORIES AVAILABLE

Vandal Proof Kit - 73-15243-51-840\*

Water Filtration Kit - 73-15242-51-550\* (mounts external to cooler)

73-15423-51-550\* (mounts inside cooler)

**XXX Please specify color when ordering. See Color Chart on page I-A for colors available.**

**\*See Detailed Parts Section for further breakdown.**

**\*\*FAN NOTE: If current fan blade screws on, use a 10-42095-43-730. If it does not screw on, use a 10-42343-43-730**

# MODELS HBW 8A-1 and 13A-1

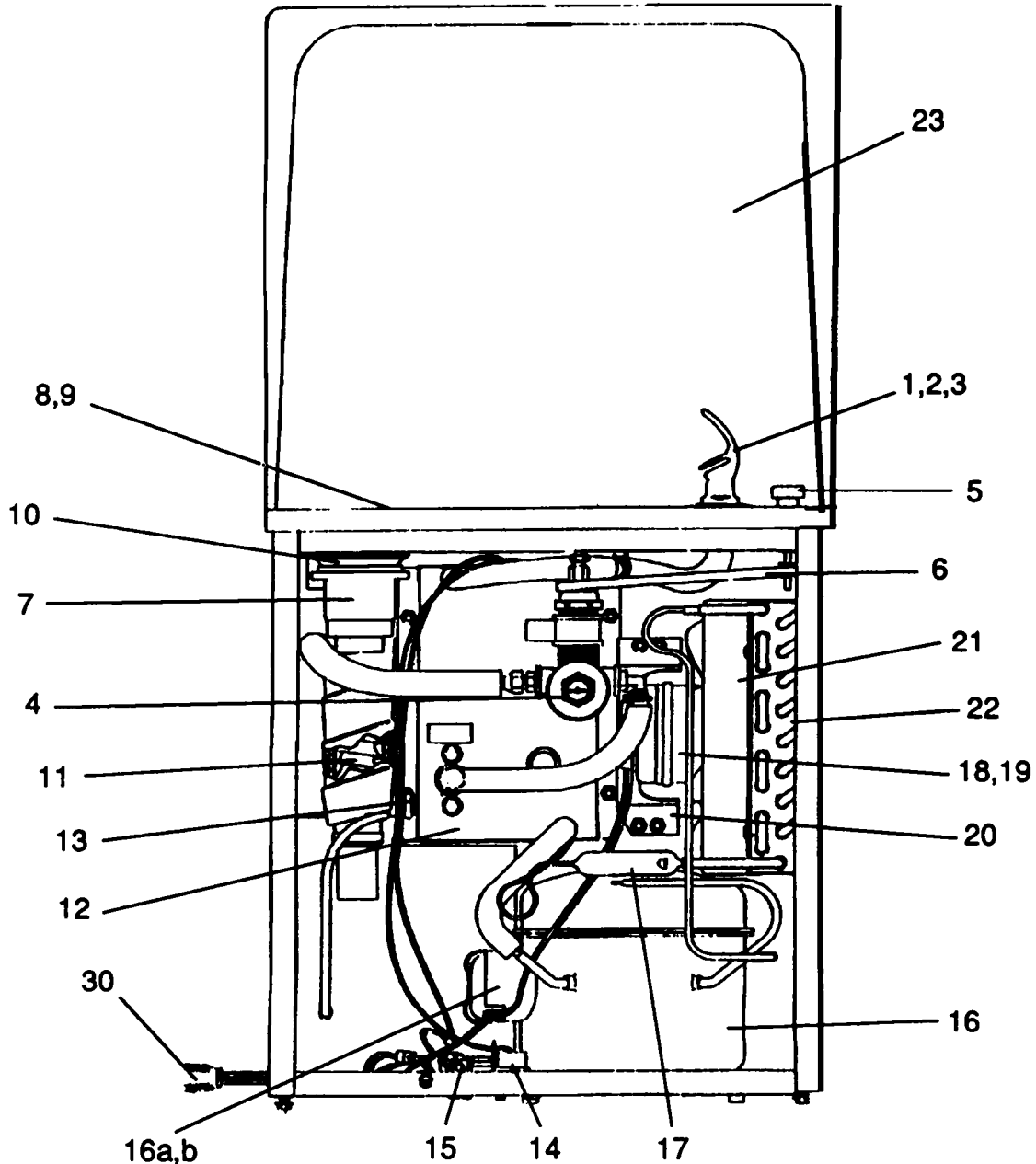
MODEL#	MFG DATE S/N ENDING	COLD WATER CAP*	COMP H/P	VOLTAGE ± 10	PH	HZ	TOTAL AMPS	R-12 REFRIG CHARGE*	WATER INLET PSIG
HBW 8A-1	A3 - D8	8GPH	1/5	115	1	60	4.3	6.0 oz.	20-90
HBW 13A-1	A3 - D8	13GPH	1/5	115	1	60	4.3	6.0 oz.	20-90

HEIGHT: 36 $\frac{3}{4}$ "

WIDTH: 18"

DEPTH: 9 $\frac{1}{2}$ "

\*ARI ratings: capacity at GPH cooled to 50° with 90°F ambient temperature and 80°F inlet water.



**To order parts, contact your nearest Halsey Taylor wholesaler or representative.**

*Continued product improvement makes specifications subject to change without notice.*

**Halsey Taylor**