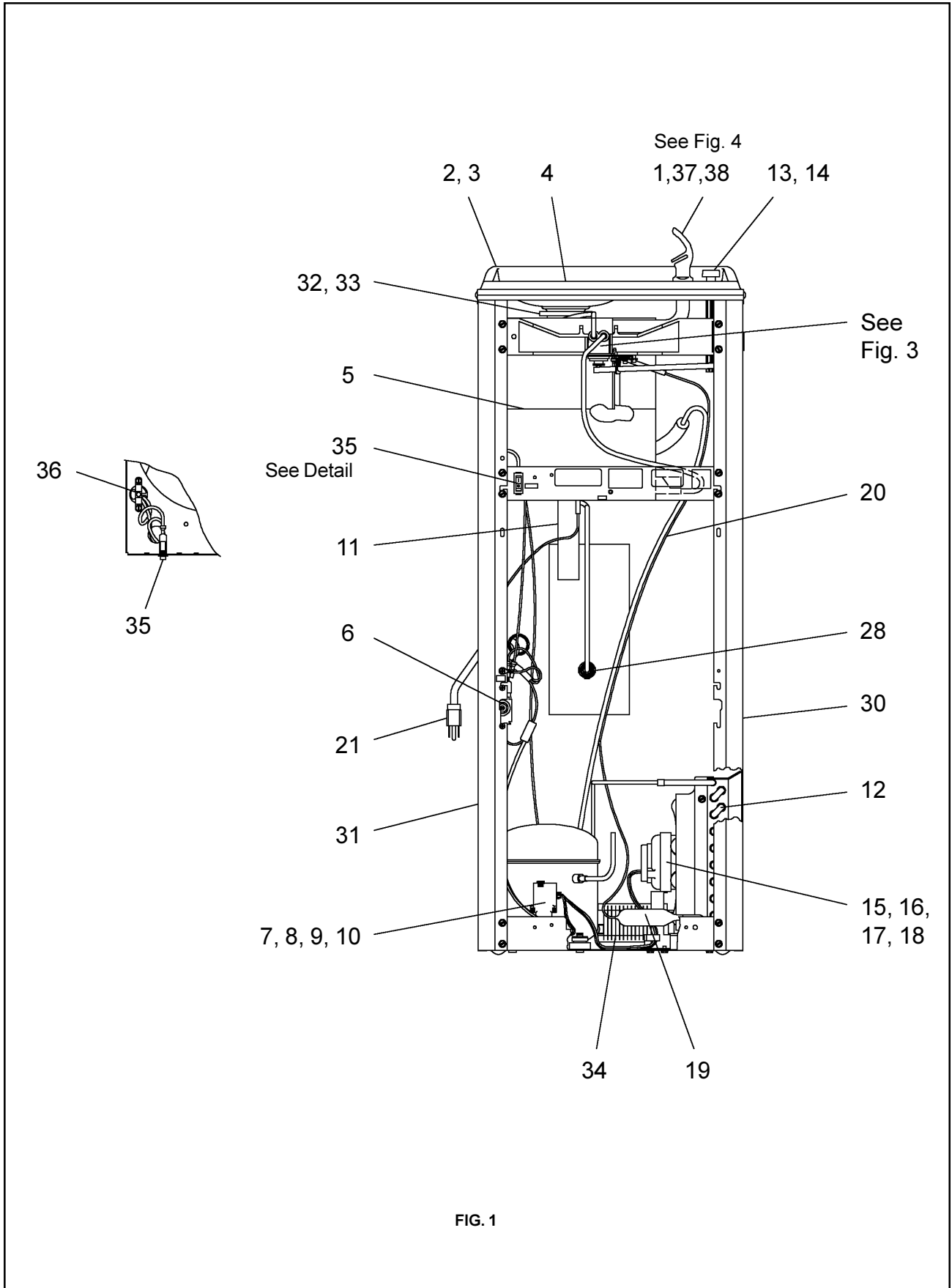
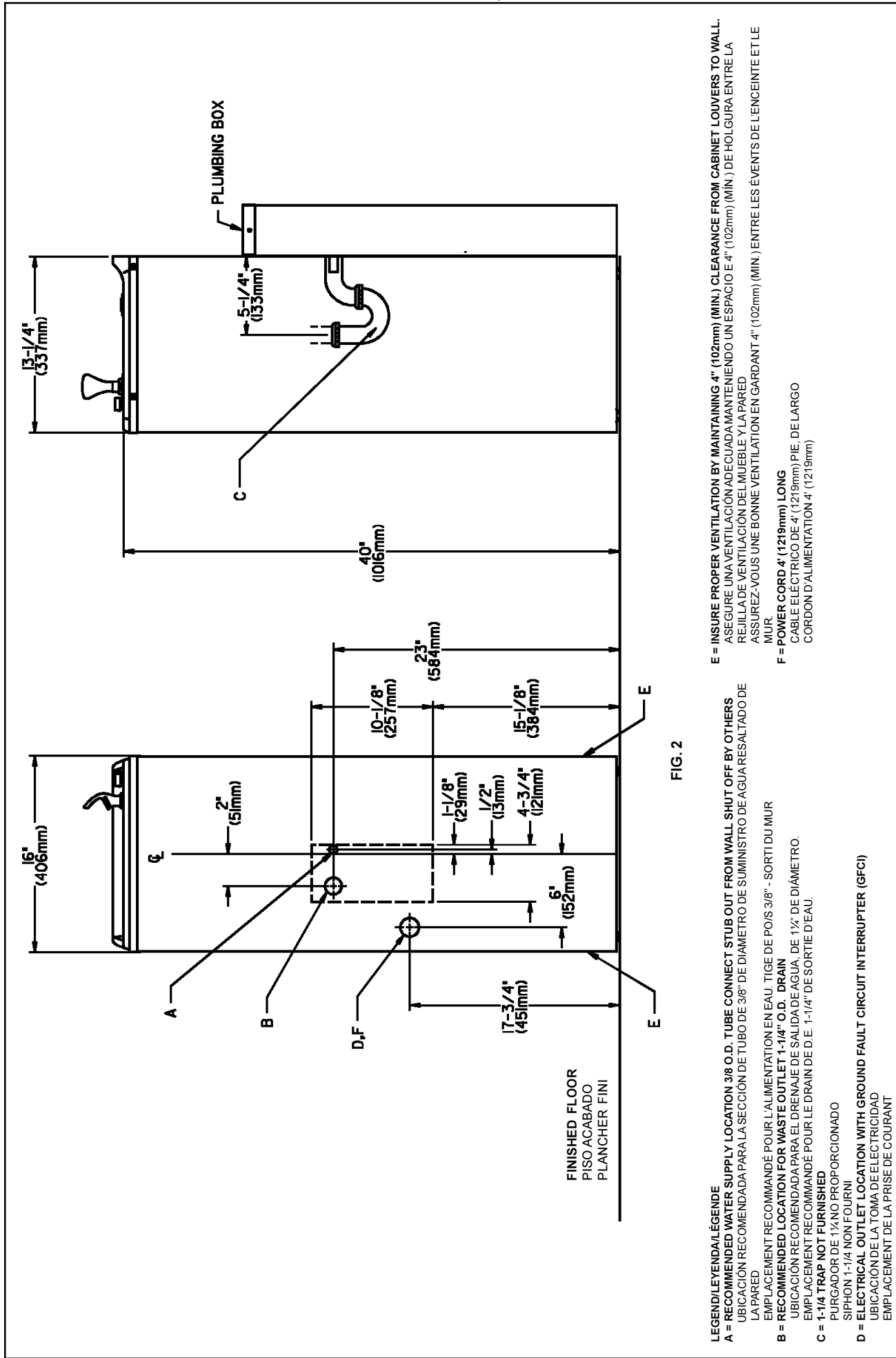


HALSEY TAYLOR OWNERS MANUAL

USES HFC-134A REFRIGERANT





PUSH BUTTON VALVE ADJUSTMENT

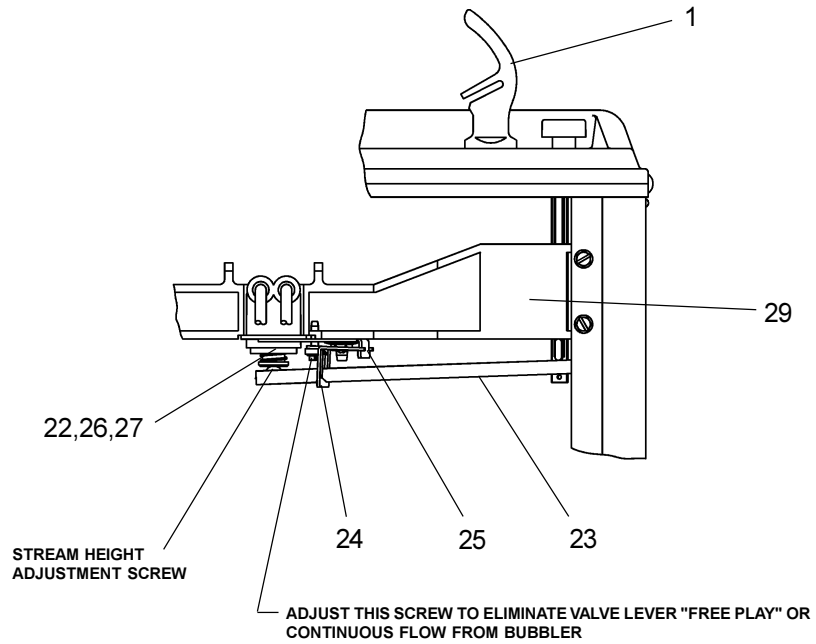
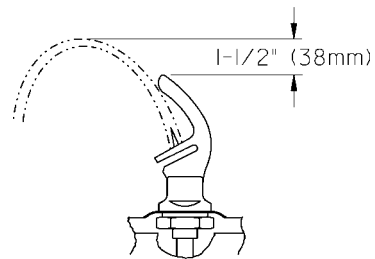


FIG. 3



CORRECT STREAM HEIGHT

FIG. 4

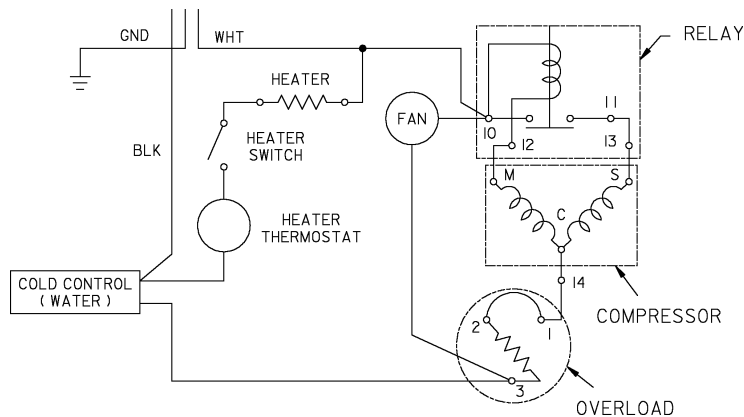
| ITEMIZED PARTS LIST | | |
|---------------------|--------------|-----------------------------|
| ITEM NO. | PART NO. | DESCRIPTION |
| 1 | 45709C | Bubbler |
| 2 | 102639931640 | Drain Plug |
| 3 | 160270508640 | Strainer Plate |
| 4 | 171403742590 | Basin |
| 5 | 66327C | Evaporator |
| 6 | 31513C | Cold Control |
| 7* | 35762C | Compressor Serv. Pak |
| 8 | 31027C | Overload/Relay Assy |
| 9 | 194243901550 | Electrical Shield |
| 10 | 35766C | Relay Cover |
| 11 | 45341C | Precooler |
| 12 | 66252C | Condenser |
| 13 | 101453431640 | Cap Push Button |
| 14 | 101507531550 | Push Button Stem |
| 15 | 31490C | Fan Motor |
| 16 | 104209543730 | Fan Blade |
| 17 | 70018C | Fan Blade Nut |
| 18 | 402672043730 | Fan Motor Bracket |
| 19 | 66202C | Drier |
| 20 | 66245C | Heat Exchanger |
| 21 | 35901C | Power Cord |
| 22 | 15005C | Regulator Retaining Nut |
| 23 | 26860C | Regulator Lever |
| 24 | 26861C | Pivot Bracket |
| 25 | 26862C | Regulator Retaining Bracket |
| 26 | 50986C | Regulator Holder |
| 27 | 61314C | Regulator |
| 28 | 55996C | Strainer |
| 29 | 55880C | Regulator Mounting Bracket |
| 30 | 401536242830 | Side Panel - Right |
| 31 | 401536342830 | Side Panel - Left |
| 32 | 55885C | Nut - 1-1/4" Slip Nut |
| 33 | 55913C | Adaptor - Drain |
| 34 | 35906C | Heater Strip |
| 35 | 35907C | Switch-Heater |
| 36 | 35910C | Heater Thermostat Assy |
| 37 | 75564C | Washer - Locking |
| 38 | 15009C | Bubbler Nipple Assy |
| NS | 401507442830 | Front Panel |
| NS | 27113C | Box - Mounting |
| NS | 27112C | Cover - Plumbing |

WARNING!

This unit is frost resistant down to 0° F with no wind. Prevailing winds can reduce the ability of the heater element to prevent light freezing. If the ambient air temperature will drop below 0° F, the cooler needs to be drained of all water by blowing out all water lines, evaporator (item 5), and the drain trap. A heater strip is used to heat the unit and will begin to cycle at 40° +/- 5° F. A check at this temperature will ensure the heater is working and the unit is resistant to light freezing. **ALSO, MAKE SURE THERE ARE NO PLASTIC OR FLAMMABLE COMPONENTS DIRECTLY ABOVE THE HEATER STRIP.**

*INCLUDES RELAY & OVERLOAD. IF UNDER WARRANTY, REPLACE WITH SAME COMPRESSOR USED IN ORIGINAL ASSEMBLY.

NOTE: All correspondence pertaining to any of the above water coolers or orders for repair parts MUST include Model No. and Serial No. of cooler, name and part number of replacement part.



Wiring Diagram

Halsey Taylor
 2222 CAMDEN COURT
 OAKBROOK, IL 60523
 630.574.3500