

HT FOUNTAINS

Models HTEBP(Old Style), HTS-1, HTE-1, HTEBP-1 (redesigned 3-91) 2-HANDLE

SEE PAGE 42
FOR NUMBERED PARTS
SCHEMATIC

FOUNTAINS HTEBP (old style), HTS-1, HTE-1, HTSBP-1 (redesigned 3-91) PARTS LIST

REF NO	PART NUMBER	DESCRIPTION	HTS-1	HTE-1	HTSBP-1	HTSBP old style
1	16-03165-08-XXX	Projector	X	X	X	X
2	10-03227-40-560	Gasket (2 each)	2	2	2	2
3	16-06092-08-550	Projector Nipple	X	X	X	X
4	60-15757-51-550	Projector Connection	X	X	X	X
5	60-01196-51-550	Regulator Assembly*	X	X	X	X
5a	60-08050-51-550	Diaphragm Repair Kit (for item 5)*	X	X	X	X
6	60-01166-51-XXX	Lever Handle Stem Assembly *	2	2	2	2
6a	60-08250-51-550	Stem Repair Kit (for item 6)*	2	2	2	2
7	11-01155-08-550	Valve Body	2	2	2	2
8	16-06451-08-640	Renewable Seat	2	2	2	2
9	41-15642-08-XXX	Hex Nut	2	2	2	2
10	10-01158-24-740	Gasket	4	4	4	4
11	11-01157-08-550	Locknut	2	2	2	2
12	17-42158-42-XXX	Receptor (E)		X	X	
12	17-42160-42-XXX	Receptor (S)	X			
12	17-10420-42-XXX	Receptor (E)				X
13	16-16373-08-XXX	Drain Plug	X	X	X	X
14	16-02705-08-XXX	Strainer Plate	X	X	X	X
15	10-01471-40-560	Waste Gasket	X	X	X	X
16	60-15732-51-550	Waste Line (S)	X			
16	60-15730-51-550	Waste Line (E)		X	X	X
17	60-42136-51-550	Waste Line Assembly	X	X	X	
18	60-42138-51-550	Waste Line Assembly	X	X	X	
19	10-42117-43-730	Access Panel (S)	X			
19	10-42116-43-730	Access Panel (E)		X	X	
19	40-15379-43-730	Access Panel (E)				X
20	10-42126-51-XXX	Back Panel			X	
20	10-15718-51-XXX	Back Panel				X
21	10-42141-43-730	Bracket Hanger			X	
21	10-15689-43-730	Bracket Hanger				X

* Look for detailed schematic of this part in Detailed Parts Section
XXX - See Page I-A for Color Chart

To order parts, contact your nearest Halsey Taylor wholesaler or representative.

Continued product improvement makes specifications subject to change without notice.

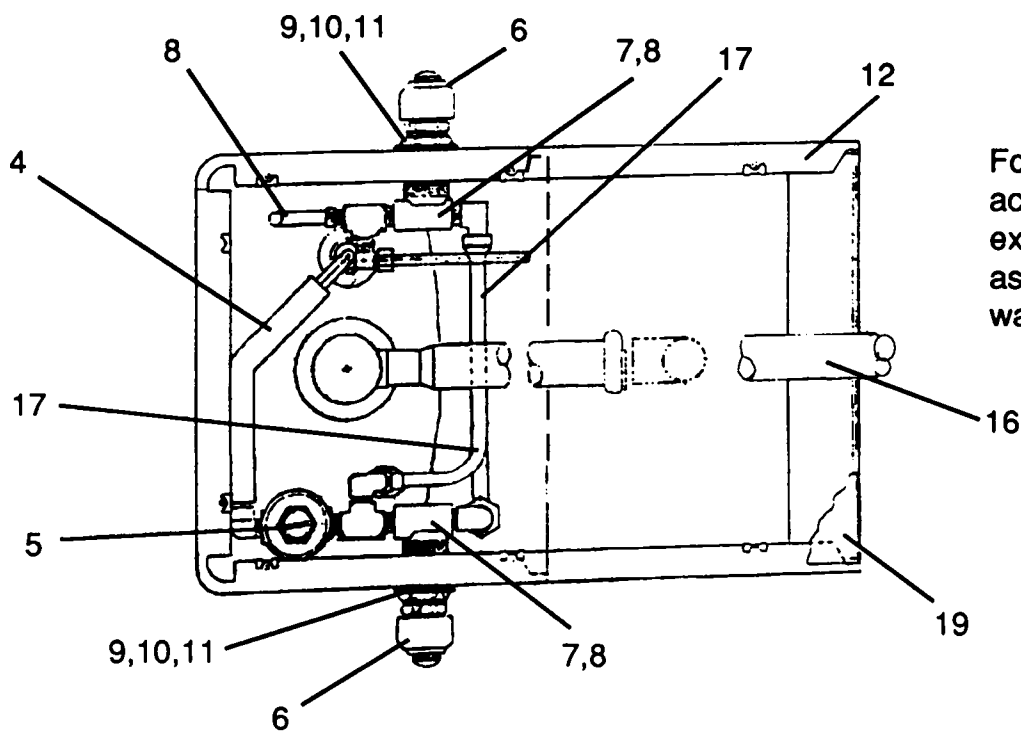
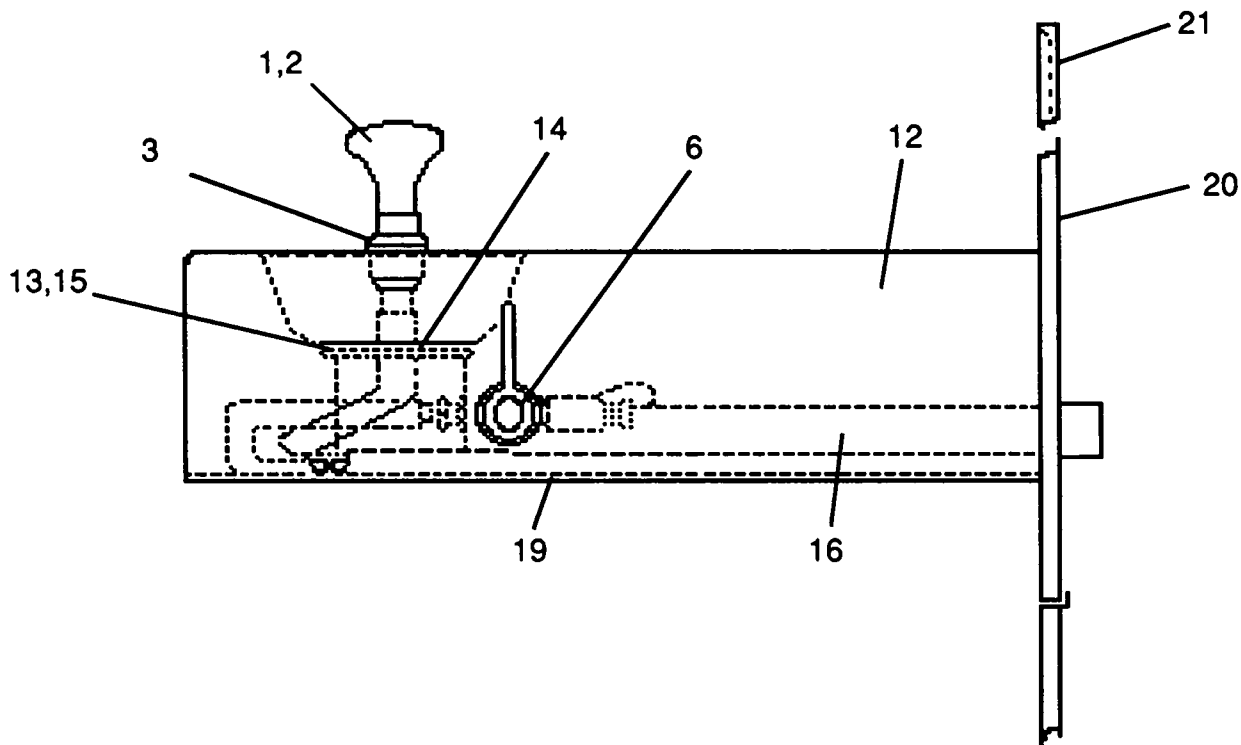
Halsey Taylor

P.O. BOX 9001
OAKBROOK, ILLINOIS 60521

HT FOUNTAINS

Models HTEBP (old style), HTS-1, HTE-1, and HTEBP (redesigned 3-91)
2-Handles

SEE PAGE 41
FOR NUMBERED
REFERENCE CHART



Fountain shown with
access plate removed
exposing valve
assembly and related
waterlines