

HT FOUNTAINS

Models HTESBP(Old Style), HTESBP-1 (redesigned 3-91)

SEE PAGE 44
FOR NUMBERED PARTS
SCHEMATIC

FOUNTAINS HTSBP (old style), HTESBP-1 (redesigned 3-91) PARTS LIST

REF NO	PART NUMBER	DESCRIPTION	HTESBP-1 New Style		HTSBP Old Style	
			short	extended	short	extended
1	16-03165-08-XXX	Projector	X	X	X	X
2	10-03227-40-560	Gasket	2	2	2	2
3	16-06092-08-550	Projector Nipple	X	X	X	X
4	60-15757-51-550	Projector Connection Assembly		X		X
4	60-42135-51-550	Projector Tube Assembly	X			
5	60-08344-51-550	Supply Line			X	
6	60-27076-51-550	Supply Line				2
7	60-14200-51-740	Regulator Assembly*	X		X	
7	60-01196-51-550	Regulator Assembly*		X		X
7a	60-08050-51-550	Diaphragm Repair Kit (for item 7)*	X	X	X	X
8	16-06451-08-640	Renewable Seat		2		2
9	16-01185-08-550	Regulator Cap	X		X	
10	16-01155-08-550	Valve Body		2		2
11	60-01166-51-XXX	Lever Handle Stem Assembly *	X	2	X	2
11a	60-08250-51-550	Stem Repair Kit (for item 11)*	X	X	X	X
12	41-15642-08-XXX	Hex Nut	X	2	X	2
13	10-01158-24-740	Gasket	2	4	2	4
14	11-01157-08-550	Locknut		2		4
15	17-42159-42-XXX	Receptor (S)	X			
15	17-42158-42-XXX	Receptor (E)		X		
15	17-26136-42-XXX	Receptor (S)			X	
15	17-14020-42-XXX	Receptor (E)				X
16	16-16373-08-XXX	Drain Plug	X	X	X	X
17	10-01471-40-560	Waste Gasket	X	X	X	X
18	16-02705-08-XXX	Strainer Plate	X	X	X	X
19	60-15732-51-550	Waste Line (S)	X		X	
19	60-15730-51-550	Waste Line (E)		X		X
20	60-42136-51-550	Tube Assembly		X		
21	60-42138-51-550	Tube Assembly		X		
22	10-42117-43-730	Access Panel (S)	X			
22	10-42116-43-730	Access Panel (E)		X		
22	40-09505-43-730	Access Panel (S)			X	
22	40-15379-43-730	Access Panel (E)				X
23	60-42349-51-550	Supply Tube	X			
24	10-42122-51-830	Back Panel	X	X		
24	10-15715-51-830	Back Panel			X	X
25	10-42142-43-730	Hanger Bracket	X	X	X	X

* Look for detailed schematic of this part in Detailed Parts Section

XXX - See Page I-A for Color Chart

To order parts, contact your nearest Halsey Taylor wholesaler or representative.

Continued product improvement makes specifications subject to change without notice.

Halsey Taylor.

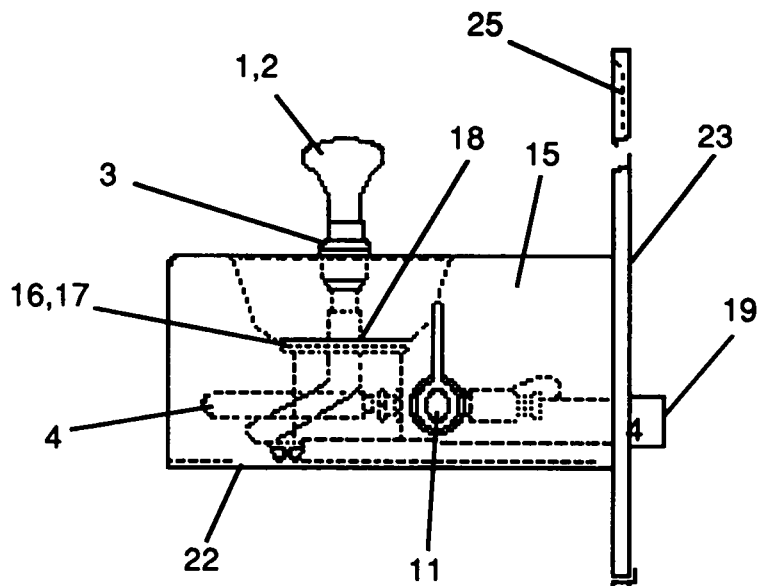
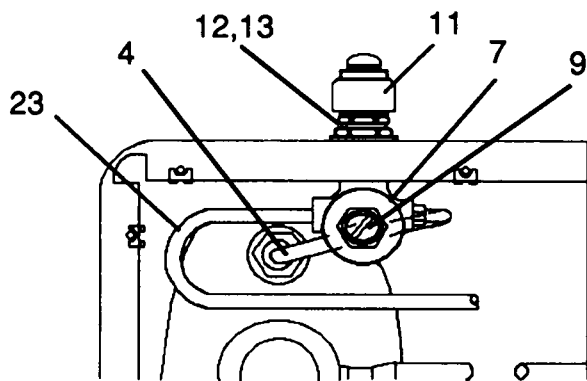
P.O. BOX 9001
OAKBROOK, ILLINOIS 60521

HT FOUNTAINS

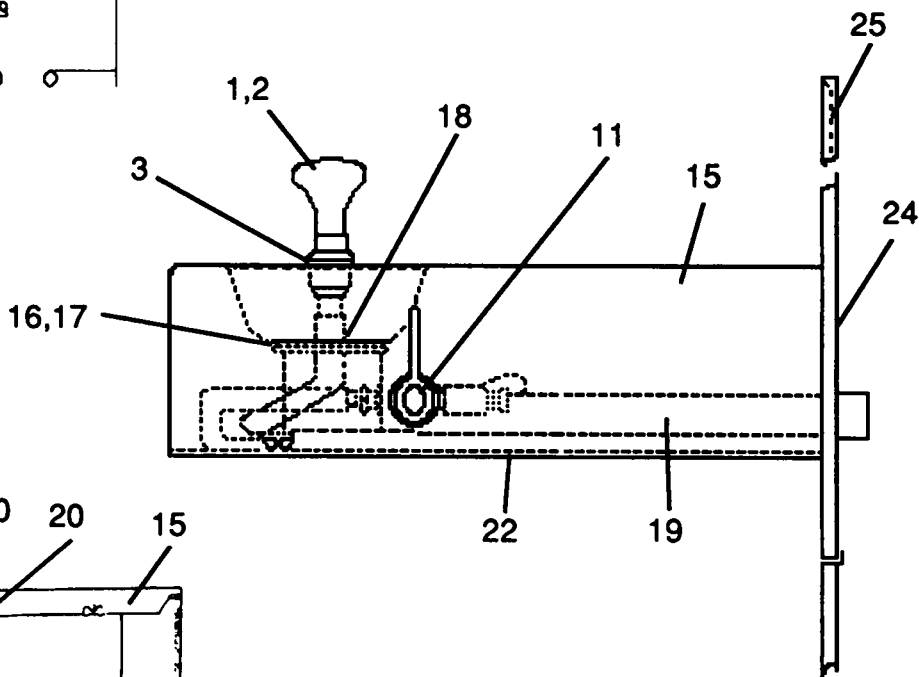
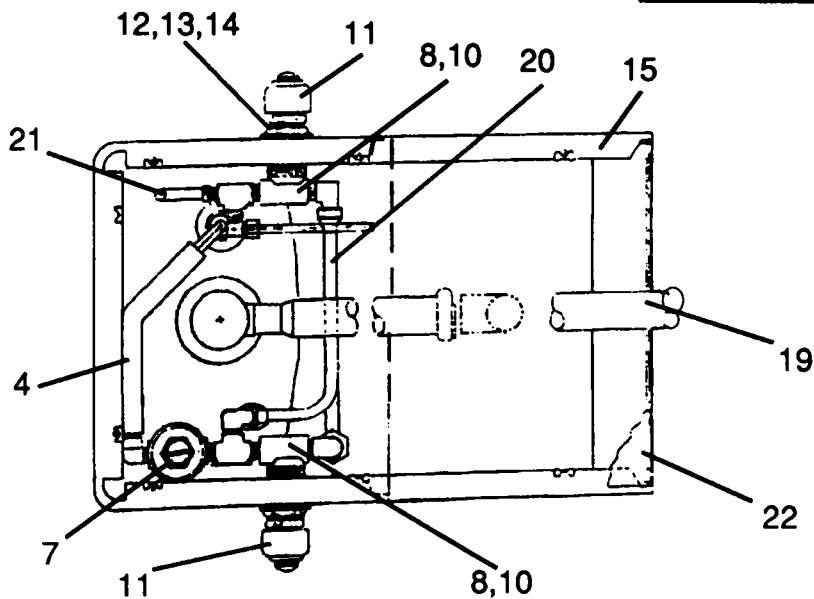
Models HTESBP (old style), HTESBP (redesigned 3-91)

SEE PAGE 43
FOR NUMBERED
REFERENCE CHART

**HTSBP
ONE-VALVE**



**HTEBP
TWO-VALVE**



Fountain shown with access plate removed exposing valve assembly and related waterlines.