

# MODELS HTSR-1, HTER-1, and HTER-1

## 2-Handles

MODELS HTSR-1, HTER-1, HTER-1 PARTS LIST					
REF NO	PART NUMBER	DESCRIPTION	HTSR-1	HTER-1	HTESR-1
1	16-03165-08-XXX	Projector	X	X	2
2	16-06092-08-550	Projector Nipple	X	X	X
3	10-03227-40-560	Gasket	2	X	4
4	60-42135-51-550	Projector Tube Assembly	X		X
4	60-15757-51-550	Projector Tube Assembly		X	X
5	60-14200-51-550	Regulator*	X		X
5	60-01196-51-550	Regulator*		X	X
5a	60-08050-51-550	Diaphragm Repair Kit (for item 5)*	X	X	2
6	60-01166-51-XXX	Lever Handle Stem Assembly *	X	2	3
6a	60-08250-51-550	Stem Repair Kit (for item 6)*	X	2	3
7	16-06451-08-640	Renewable Seat		2	2
8	11-01155-08-550	Valve Body		2	2
9	11-01157-08-550	Locknut		2	2
10	41-15642-08-XXX	Hex Nut	X	2	3
11	10-01158-24-740	Gasket	2	4	6
12	17-42159-42-XXX	Receptor (S)	X		X
13	17-42158-42-XXX	Receptor (E)		X	X
14	16-16373-08-XXX	Drain Plug	X	X	2
15	16-02705-08-XXX	Strainer Plate	X	X	2
16	10-01471-40-560	Waste Gasket	X	X	2
17	60-15732-51-550	Waste Tube Assembly (S)	X		X
18	60-15730-51-550	Waste Tube Assembly (E)		X	X
19	16-01185-08-550	Cap	X		X
20	60-42136-51-550	Tube Assembly		X	X
21	60-42138-51-550	Tube Assembly		X	X
22	10-42117-43-730	Cover Plate (S)	X		X
23	10-42116-43-730	Cover Plate (E)		X	X
24	10-42123-42-XXX	Top Panel (S)	X		
25	10-42124-42-XXX	Top Panel (E)		X	
26	10-42120-42-XXX	Top Panel (ES)			X
27	10-15683-42-XXX	Bottom Panel (E or S) (not shown)	X	X	
28	10-15682-42-XXX	Bottom Panel (ES)(not shown)			X
29	10-15673-43-730	Chiller Shelf (not shown)	X	X	X
30	10-15674-43-730	Shelf Blanket (not shown)	X	X	X
31	60-42349-51-550	Supply Line	X		X

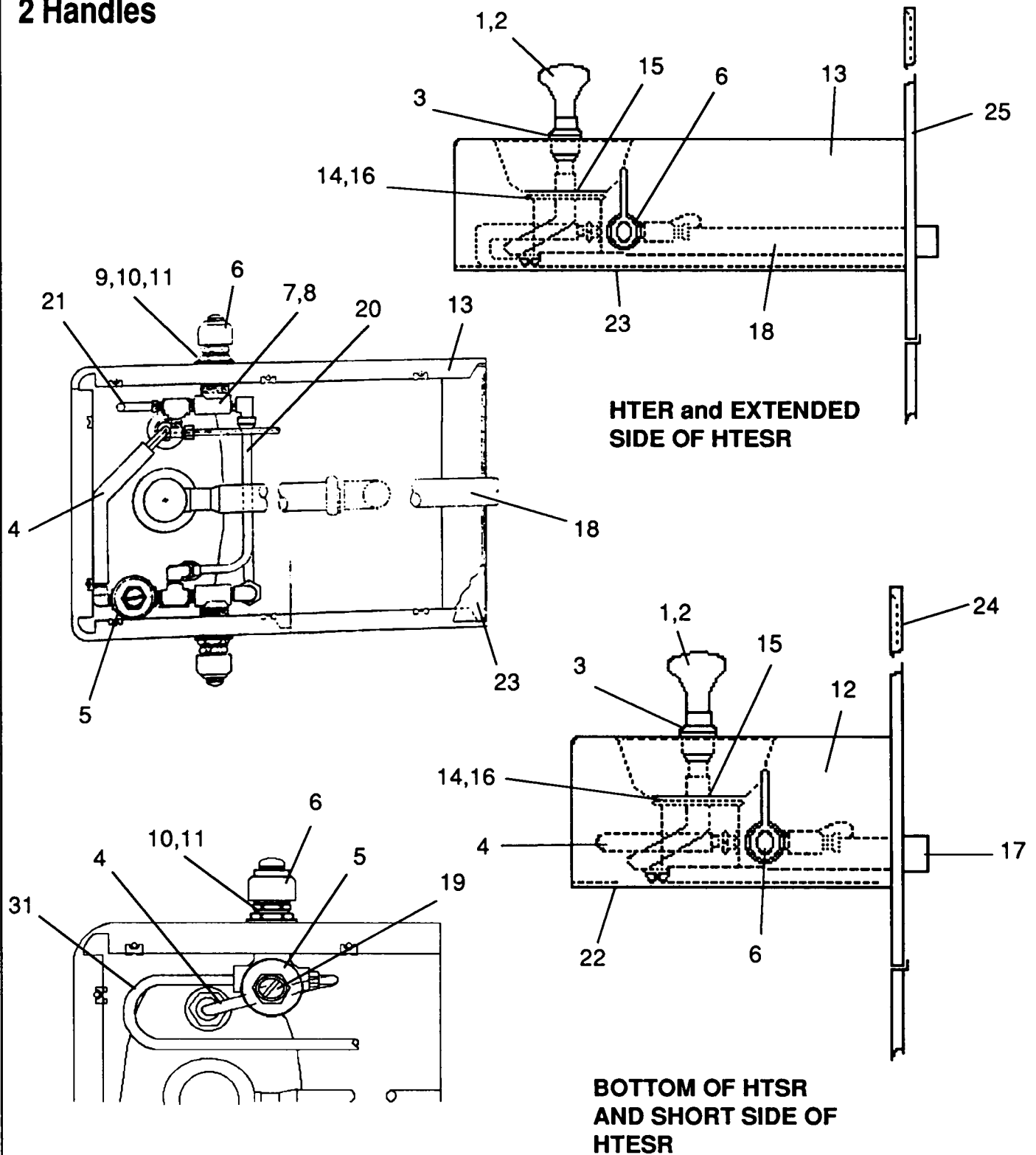
SEE SJ8 BREAKDOWN FOR PARTS ON COOLING UNIT

\* Look for detailed schematic of this part in Detailed Parts Section

XXX - See Page I-A for Color Chart

# MODELS HTSR-1, HTER-1 and HTESR-1

2 Handles



To order parts, contact your nearest Halsey Taylor wholesaler or representative.

*Continued product improvement makes specifications subject to change without notice.*

**Halsey Taylor.**