

MODEL LC1015

LC1015 PART LIST

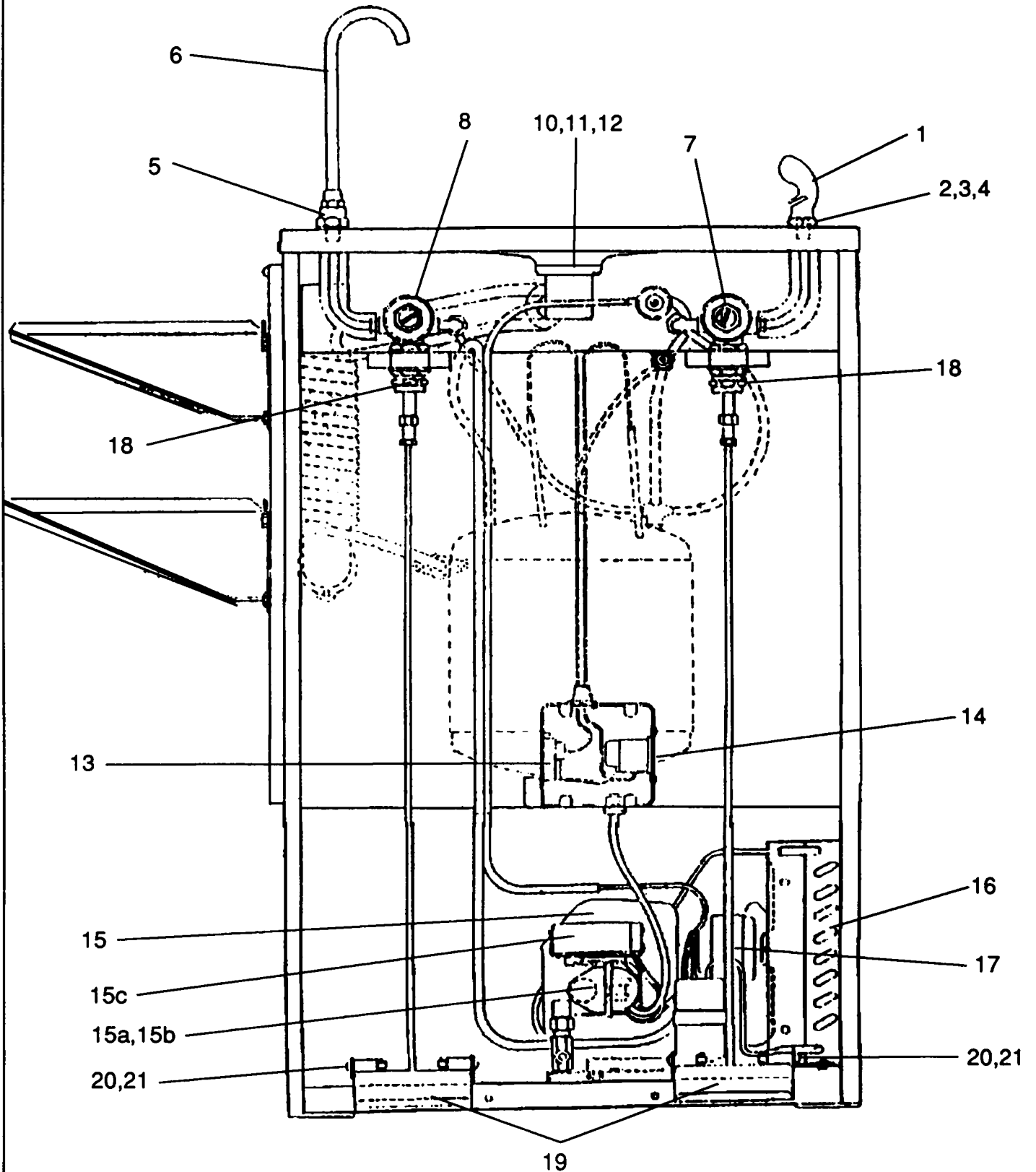
REF NO.	PART NUMBER	DESCRIPTION
1	16-03165-08-640	Projector
2	10-03227-40-560	Projector Gasket (2 each)
3	16-06092-08-550	Projector Nipple (2 each)
4	10-10474-42-550	Stream Breaker
5	16-06310-08-640	Glass Filler Adapter
6	16-03310-08-640	Gooseneck
7	60-02596-51-550	Regulator (Right side)*
8	60-14241-51-550	Regulator (Left side)*
9	60-08050-51-550	Diaphragm Repair Kit (for items 7 & 8)*
10	16-16373-08-640	Drain Plug
11	16-02705-08-640	Strainer Plate
12	10-01471-40-560	Waste Gasket
13	19-42339-51-550	Primary Temperature Control
14	19-15342-51-550	Secondary Temperature Control
15	60-07907-51-550	Compressor Assembly
15a	19-07924-51-550	Overload (included in item 15)
15b	19-07960-51-550	Relay (included in item 15)
15c	19-10864-82-550	Capacitor (included in item 15)
16	19-07945-51-550	Condenser
17	19-10019-51-550	Fan Motor Assembly
17a	19-08417-04-550	Fan Blade (included in item 17)
17b	10-06724-43-560	Fan Bracket (included in item 17)
18	60-08817-51-550	Stem Assembly (2 each)
19	NO LONGER AVAILABLE	Foot Pedal (2 each)
20	11-02082-43-890	Foot Pedal Pin (4 each)
21	11-02075-43-890	Cotter Pin (4 each)

ALL OTHER PARTS NO LONGER AVAILABLE

XXX Please specify color when ordering. See Color Chart on page I-A for colors available.

***See Detailed Parts Section for further breakdown.**

MODEL LC1015



To order parts, contact your nearest Halsey Taylor wholesaler or representative.

Continued product improvement makes specifications subject to change without notice.

Halsey Taylor.