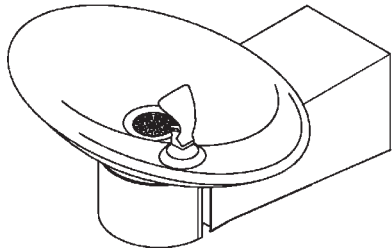
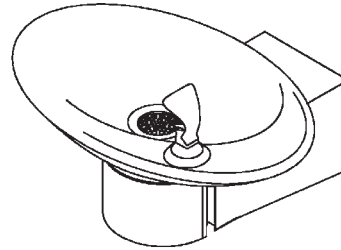


Halsey Taylor Owners Manual

Non-Refrigerated Fountains



OVL - E



OVL - S

Installer

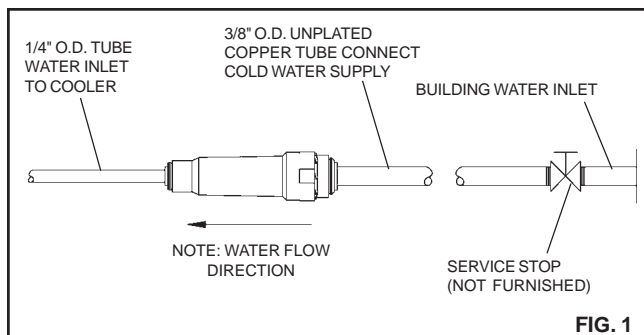
To assure you install this model easily and correctly, PLEASE READ THESE SIMPLE INSTRUCTIONS BEFORE STARTING THE INSTALLATION. CHECK YOUR INSTALLATION FOR COMPLIANCE WITH PLUMBING, ELECTRICAL AND OTHER APPLICABLE CODES. After installation, leave these instructions inside the fountain for future reference.

IMPORTANT

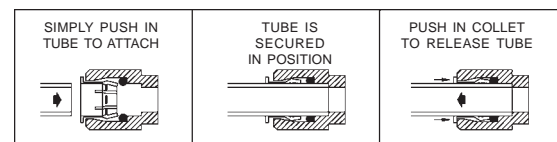
ALL SERVICE TO BE PERFORMED BY AN AUTHORIZED SERVICE PERSON

IMPORTANT! INSTALLER PLEASE NOTE.

THE GROUNDING OF ELECTRICAL EQUIPMENT SUCH AS TELEPHONE, COMPUTERS, ETC. TO WATER LINES IS A COMMON PROCEDURE. THIS GROUNDING MAY BE IN THE BUILDING OR MAY OCCUR AWAY FROM THE BUILDING. THIS GROUNDING CAN CAUSE ELECTRICAL FEEDBACK INTO A FOUNTAIN, CREATING AN ELECTROLYSIS WHICH CAUSES A METALLIC TASTE OR AN INCREASE IN THE METAL CONTENT OF THE WATER. THIS CONDITION IS AVOIDABLE BY USING THE PROPER MATERIALS AS INDICATED. ANY DRAIN FITTINGS PROVIDED BY THE INSTALLER SHOULD BE MADE OF PLASTIC TO ELECTRICALLY ISOLATE THE FOUNTAIN FROM THE BUILDING PLUMBING SYSTEM.



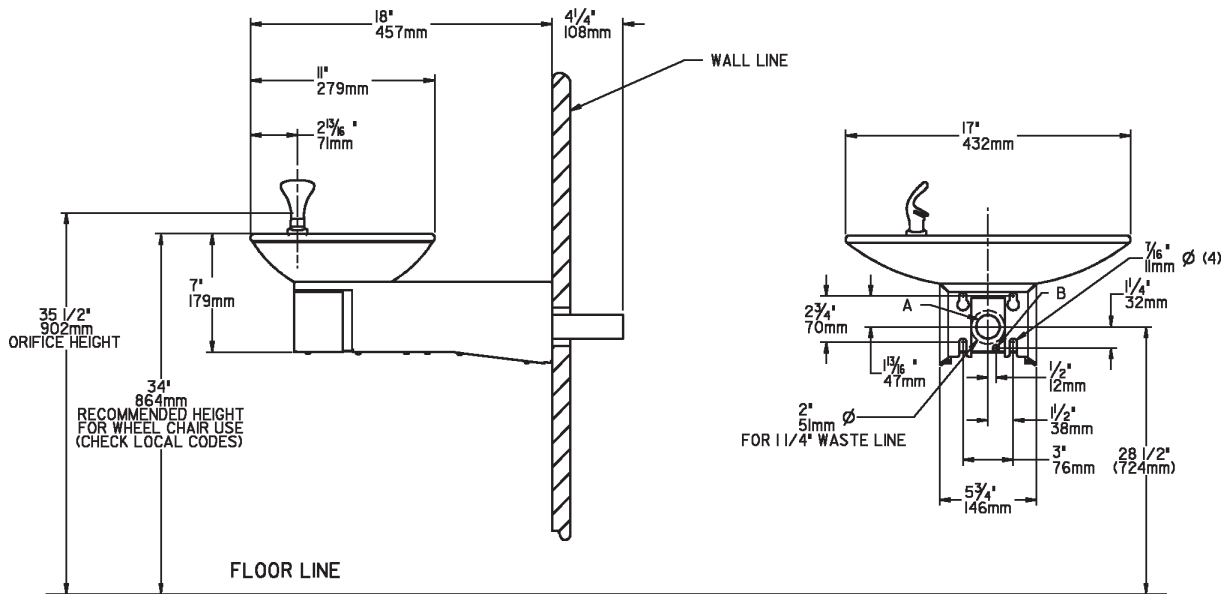
OPERATION OF QUICK CONNECT FITTINGS



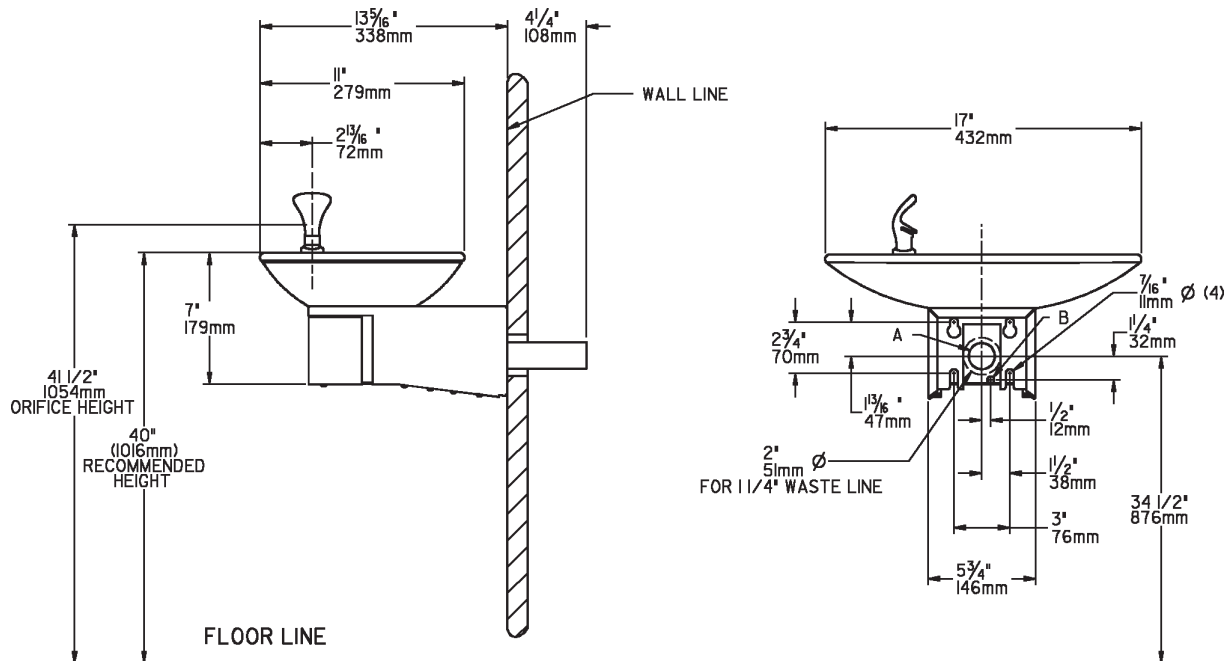
PUSHING TUBE IN BEFORE PULLING IT OUT HELPS TO RELEASE TUBE

FIG. 2

OVL - E



OVL - S



LEGEND:

- A = 1-1/4" O.D. Waste Tube (Trap & Elbow Not Provided)
- B = 3/8" O.D. Unplated Copper Tube Connect (Water Inlet)

FIG. 3

INSTALLATION INSTRUCTIONS

1. This fountain is to be mounted on a smooth, flat, finished wall surface, with adequate support structure.
2. Establish rim height fountain is to be mounted.
3. Refer to rough-in for plumbing.
4. Locate and install trap. (Trap not furnished.)
5. Install shut-off valve on building water supply. (Shut-off valve not furnished.)
6. Remove access panel from bottom of fountain.
7. Locate and install fountain using 3/8" (10 mm) (minimum) lag screws or bolts (not furnished).
CAUTION: This fountain is rated for inlet water pressure of 20-90 PSI. Should the inlet water supply exceed 90 PSI, a pressure reducing regulator should be used.
8. Connect fountain to building supply line with a shut-off valve and install a 3/8" (10 mm) unplated copper water line between the valve and fountain. Remove any burrs from outside of water line. Insert water line to a positive stop, approximately 3/4" (19 mm) on inlet side of strainer. **DO NOT SOLDER TUBES INSERTED INTO THE STRAINER AS DAMAGE TO THE O-RINGS MAY RESULT.**
9. To remove waste elbow, remove (4) screws (item 18) and drop bottom plate (item 20) and push bar (item 2) down. Waste elbow slip nut (item 13) is now accessible. Connect fountain drain.
10. Turn "ON" water supply and check all connections for leaks.
11. Adjust projector stream height.
12. If needed, adjust push arm/regulator clearance by turning phillips head screw (item 26) on regulator bracket assy. (item 30). Turning screw CCW should correct water coming out of projector continuously.
13. Reinstall access panel using screws provided.

TROUBLE SHOOTING AND MAINTENANCE

Orifice Assy: Mineral deposits on orifice can cause water flow to spurt or not regulate. Mineral deposits may be removed from the orifice with a small round file or small diameter wire.

CAUTION: DO NOT file or cut orifice material.

Stream Regulator: If orifice is clean, regulate flow as in instructions above. If replacement is necessary, see parts list for correct regulator part number.

Actuation of Quick Connect Water Fittings: Fountain is provided with lead-free connectors which utilize an o-ring water seal. To remove tubing from the fitting, relieve water pressure, push in on the gray collar while pulling on the tubing. (see Fig.2) To insert tubing, push tube straight into fitting until it reaches a positive stop, approximately 3/4".

CAUTION: To preserve the quality and keep this AZTEC GOLD finish clean and spot free, clean this surface with only mild detergent or window cleaner and polish with a soft cloth. DO NOT use any abrasive cleaners or harsh chemicals. They WILL damage the finish!

CARE AND MAINTENANCE OF HALSEY TAYLOR MARBLYTE FOUNTAINS

Marblyte provides an extremely durable, non-porous surface which resists staining. Care is very simple. Routine cleaning with a soft sponge or cloth, or with water or non-abrasive aerosol foam cleaner, is all that is normally needed to give many years of trouble free service. Cleaners left standing on the fountain surface can dull the surface finish. Be certain to rinse all cleaning agents completely and polish with a soft cloth. Harsh abrasive cleaners are not required and should not be used. Mild abrasives such as liquid automotive cleaning compound or baking soda paste will remove simple scratches and stains. Cigarette burns can normally be removed without noticeable effect. Deeper scratches or gouges can be corrected with fine grit sandpaper (240 grit then 400 grit) or a green scotchbrite pad. To maintain or regain luster and make cleaning easier, periodic applications of automobile wax or like products will keep the finish looking like new.

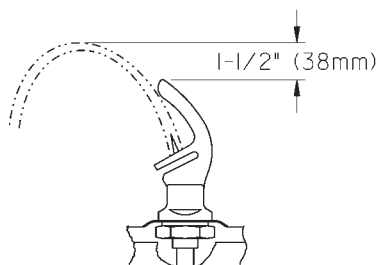


Fig. 4

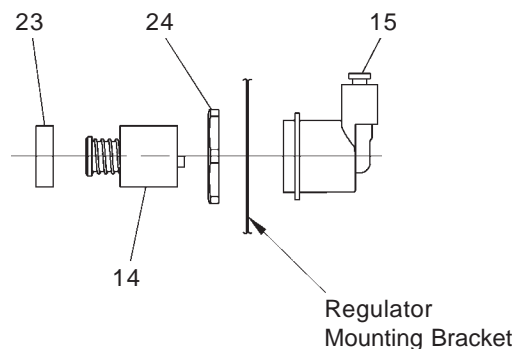


Fig. 5

OVL-E * C , OVL-S * C

PARTS LIST		
ITEM NO.	PARTNO.	DESCRIPTION
1	26990C	Bottom Cover (OVL-S)
	26988C	Bottom Cover (OVL-E)
2	55836C	Push Arm Actuator
	55991C	Push Arm Actuator - AG
3	51546C	Bubbler
	45396C	Bubbler - AG
	51544C	Bubbler- MARBL
4	100322740560	Bubbler Gasket
5	160270508640	Strainer Plate
	45400C	Strainer Plate - AG
6	101570540560	Drain Gasket
7	51575C	Packing Ring
8	110346208550	Drain Nut
9	101637451550	Friction Ring
10	161637308640	Drain Plug
	45398C	Drain Plug/Strainer - AG
11	45683C	Waste Elbow (OVL-E)
	45682C	Waste Elbow (OVL-S)
12	100023340560	Waste Tube Gasket
13	161570808550	Slip Nut
14	61314C	Regulator
15	50986C	Regulator Holder
16	27006C	Basin
	27342C	Basin - AG
	55951C	Basin - GRAY MRBL
	55952C	Basin - BLACK MRBL
	55953C	Basin - GOLDEN SAND MRBL
17	27000C	Basin Liner
	27344C	Basin Liner - AG
18	70861C	Screw # 10-24 x 2
19	55840C	Top Plate - Actuator
20	55839C	Bottom Plate - Actuator
21	27002C	Arm w/Weldnuts (OVL-E)
	27338C	Carrier Arm - AG (OVL-E)
	27004C	Arm w/Weldnuts (OVL-S)
	27340C	Carrier Arm - AG (OVL-S)
22	28328C	Regulator Mounting Bracket
23	15005C	Nut - Retaining
24	40045C	Nut Hex - UNPLTD
25	27008C	Reaction Bracket
26	70856C	Screw #10-24 x .38 PHMS
27	70854C	Rod - Pivot
28	50198C	Bushing Snap
29	51468C	Bumper - Reg. Valve Assy
30	28327C	Arm - Reg. Activating
31	28326C	Arm - Reg. Adjustment
NS	55996C	Strainer
NS	70793C	Elbow-1/4"
NS	56159C	Bubbler Nipple Assy
NS	56092C	Tubing - Poly (Cut to Length)

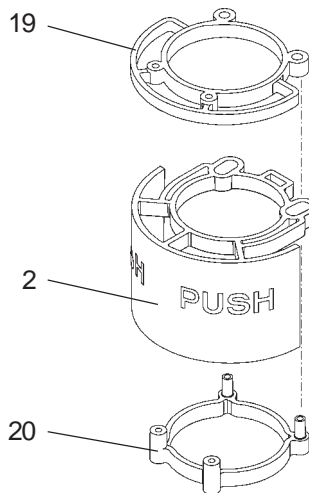


FIG. 6

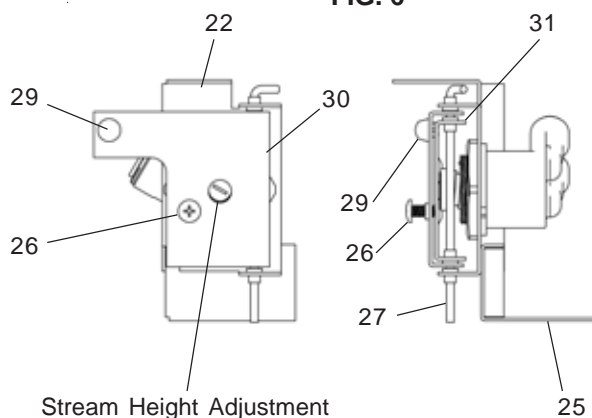
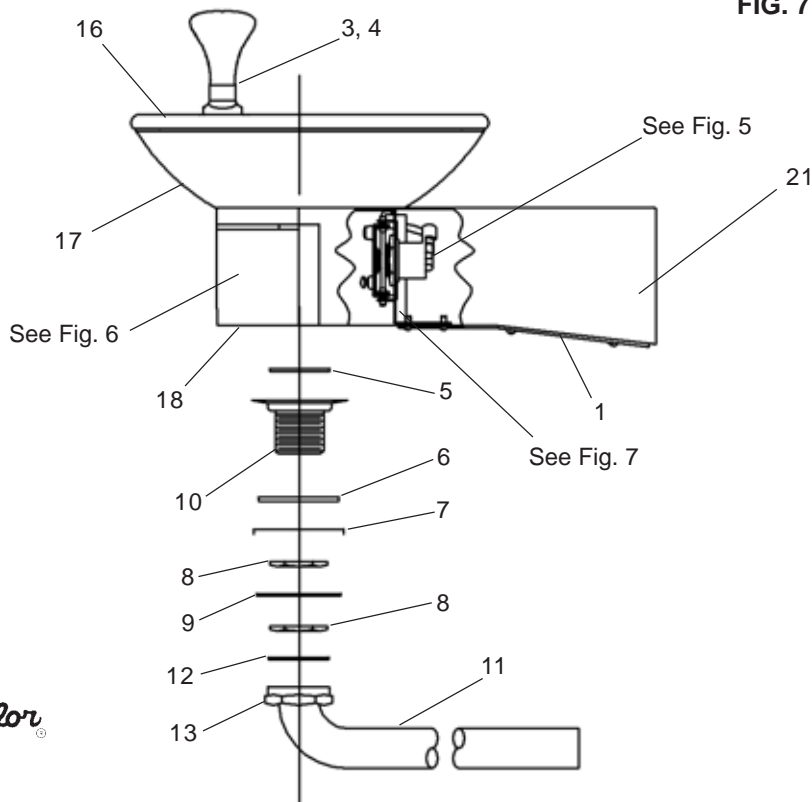


FIG. 7



Halsey Taylor
 2222 CAMDEN COURT
 OAKBROOK, IL 60523

PRINTED IN U.S.A.

www.DrinkingFountainDoctor.com

800-518-5388