

MODELS OVLSR, OVLER AND OVLESR

E = Extended Fountain

S = Short Fountain

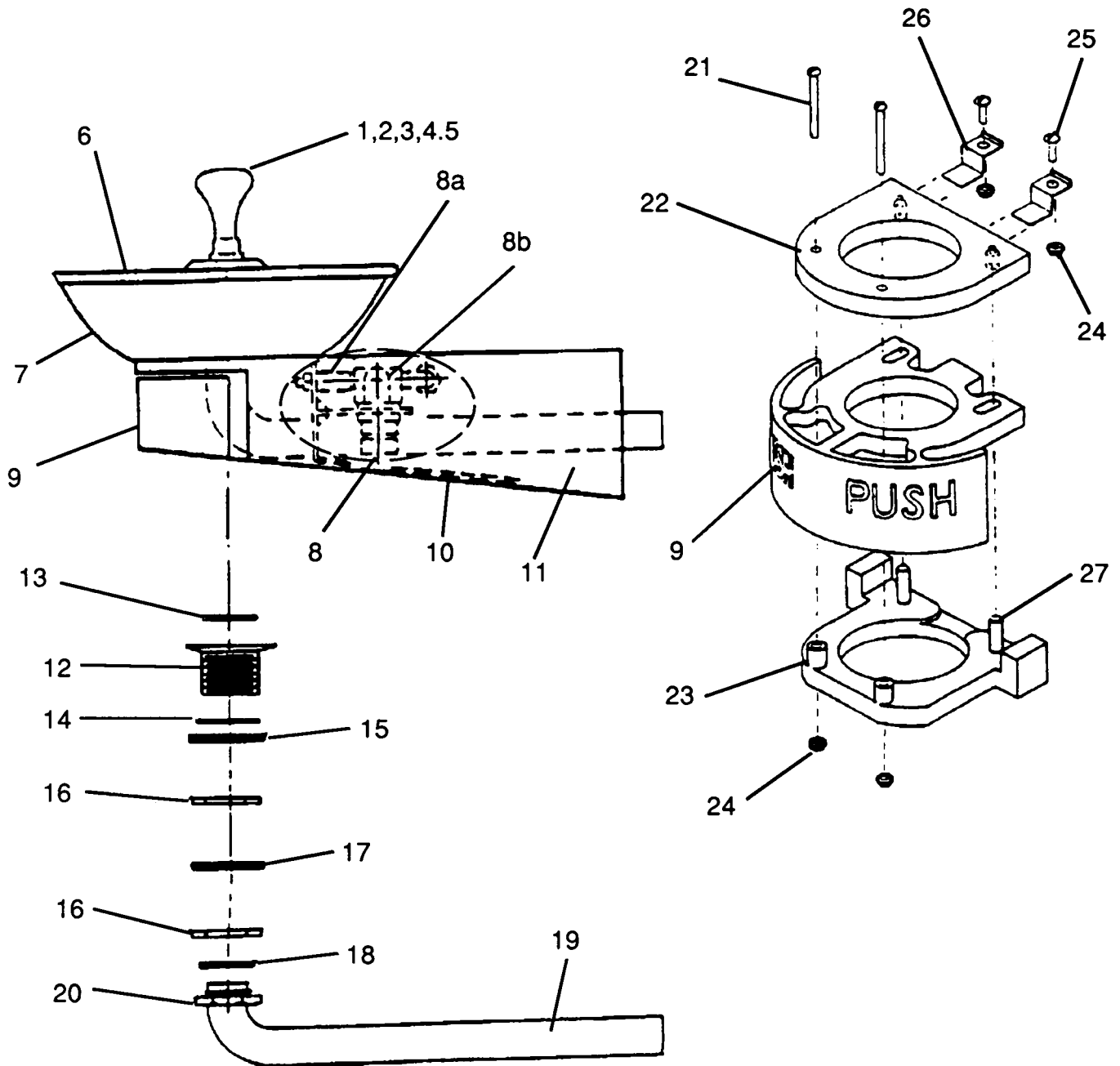
FOUNTAINS OVLSR, OVLER, and OVLESR PARTS LIST					
REF NO	PART NUMBER	DESCRIPTION	OVLSR	OVLER	OVLESR
1	16-03165-08-XXX	Projector	X	X	2
2	10-03227-40-560	Projector Gasket	2	2	4
3	16-06092-08-550	Projector Nipple	X	X	2
4	16-15751-08-550	Projector Connection (included in 5)	X	X	2
5	60-26377-51-550	Supply Tube (includes item 4)	X	X	2
6	10-15679-42-XXX	Receptor	X	X	2
7	10-26283-42-XXX	Receptor Liner	X	X	2
8	60-15765-51-550	Valve Custer*	X	X	2
8a	10-15697-51-550	Valve (included in item 8)	X	X	2
8Bb	10-42297-51-550	Regulator (included in item 8)	X	X	2
9	10-15700-31-XXX	Push Arm Actuator	X	X	2
10	10-15695-43-730	Arm Cover (E)		X	X
10	10-15696-43-730	Arm Cover (S)	X		X
11	10-15634-42-XXX	Carrier Arm(E)		X	X
11	10-15636-42-XXX	Carrier Arm (S)	X		X
12	16-15704-08-XXX	Drain Plug	X	X	2
13	16-02705-08-XXX	Strainer Plate	X	X	2
14	10-15705-40-560	Waste Gasket	X	X	2
15	16-26210-08-550	Packing Ring	X	X	2
16	11-03462-20-550	Drain Nut	2	2	2
17	10-16374-51-550	Friction Ring	X	X	2
18	10-00233-40-560	Waste Tube Gasket	X	X	2
19	16-15709-08-550	Waste Elbow (E)		X	X
19	16-15707-08-550	Waste Elbow (S)	X		X
20	16-15708-08-550	Slip Nut	X	X	2
21	11-15712-43-890	Screw	2	2	4
22	10-15641-31-550	Top Plate	X	X	2
23	10-15701-31-550	Bottom Plate	X	X	2
24	11-15715-43-890	Nut	6	6	12
25	11-15714-43-890	Screw	2	2	4
26	10-15703-43-550	Retaining Clip	2	2	4
27	11-15702-08-550	Dowel Pin	2	2	4
28	10-15687-51-XXX	Top Panel (E) (not shown)		X	
28	10-15686-51-XXX	Top Panel (S)(not shown)	X		
28	10-15681-51-XXX	Top Panel (ES)(not shown)			X
29	10-15683-42-XXX	Bottom Panel (E or S)(not shown)	X	X	
29	10-15682-42-XXX	Bottom Panel (ES)(not shown)			X
30	10-15673-43-730	Chiller Shelf (not shown)	X	X	X
31	10-15674-43-730	Shelf Hook(not shown)	2	2	2
32	11-26275-43-890	Panel Screws (not shown)	2	2	4

SEE SJ8A FOR BREAKDOWN OF COOLER PARTS

* Look for detailed schematic of this part in Detailed Parts Section

XXX - See Page I-A for Color Chart

MODELS OVLSR, OVLER and OVLESR



To order parts, contact your nearest Halsey Taylor wholesaler or representative.

Continued product improvement makes specifications subject to change without notice.

Halsey Taylor.