

# MODELS RC8-2A, RC12A-2, RC8A-2GF and RC12A-2GF

## RC8A-2, RC12A-2, RC8A-2GF and RC12A-2GF PART LIST

REF NO.	PART NUMBER	DESCRIPTION	RC8A-2 RC12A-2	RC8A-2GF RC12A-2GF
1	16-03165-08-XXX	Projector	X	X
2	10-03227-40-560	Projector Gasket	2	3
3	16-06092-08-550	Projector Nipple	X	X
4	10-10474-42-550	Stream Breaker	X	X
5	62-15960-51-550	Regulator Assembly	X	X
5a	60-10389-51-550	Regulator (included in item 5)*	X	X
5b	60-08050-51-550	Regulator Repair Kit (for item 5a)*	X	X
5c	60-08240-51-XXX	Push Button Stem Assembly*	X	X
5d	16-01943-08-820	Projector Connection (included in item 5)	X	X
6	16-08684-08-550	Nipple (included in item 5)	X	X
7	60-15620-51-550	Supply Line	X	X
8	16-16373-08-XXX	Drain Plug	X	X
9	10-01471-40-560	Waste Gasket	X	X
10	16-02705-08-XXX	Strainer Plate	X	X
11	60-08609-51-550	Waste Line for RC8	X	X
11	60-15629-51-550	Precooler for RC12	X	X
12	17-08570-42-XXX	Receptor	X	
12	40-08791-42-XXX	Receptor		X
13	10-15624-XX-XXX	Front Panel (not shown)	X	X
14	40-08671-42-550	Receptor Bracket (2 each)	X	X
15	11-08574-43-890	Wing Nut (2 each)	X	X
16	10-08528-42-550	Washer (2 each)	X	X
17	73-02408-51-550	Glass Filler (See Accessories Section)		X
18	41-15642-08-XXX	Nut (not shown)		X
19	11-01158-24-740	Gasket (not shown)		X
20	60-15638-51-550	Glass Filler Tube (not shown)		X
21	16-15623-08-550	Elbow	X	
21	16-15631-08-550	Tee		X
22	11-08295-42-550	Panel Screw	2	2
23	11-07447-43-550	Speed Nut	2	2

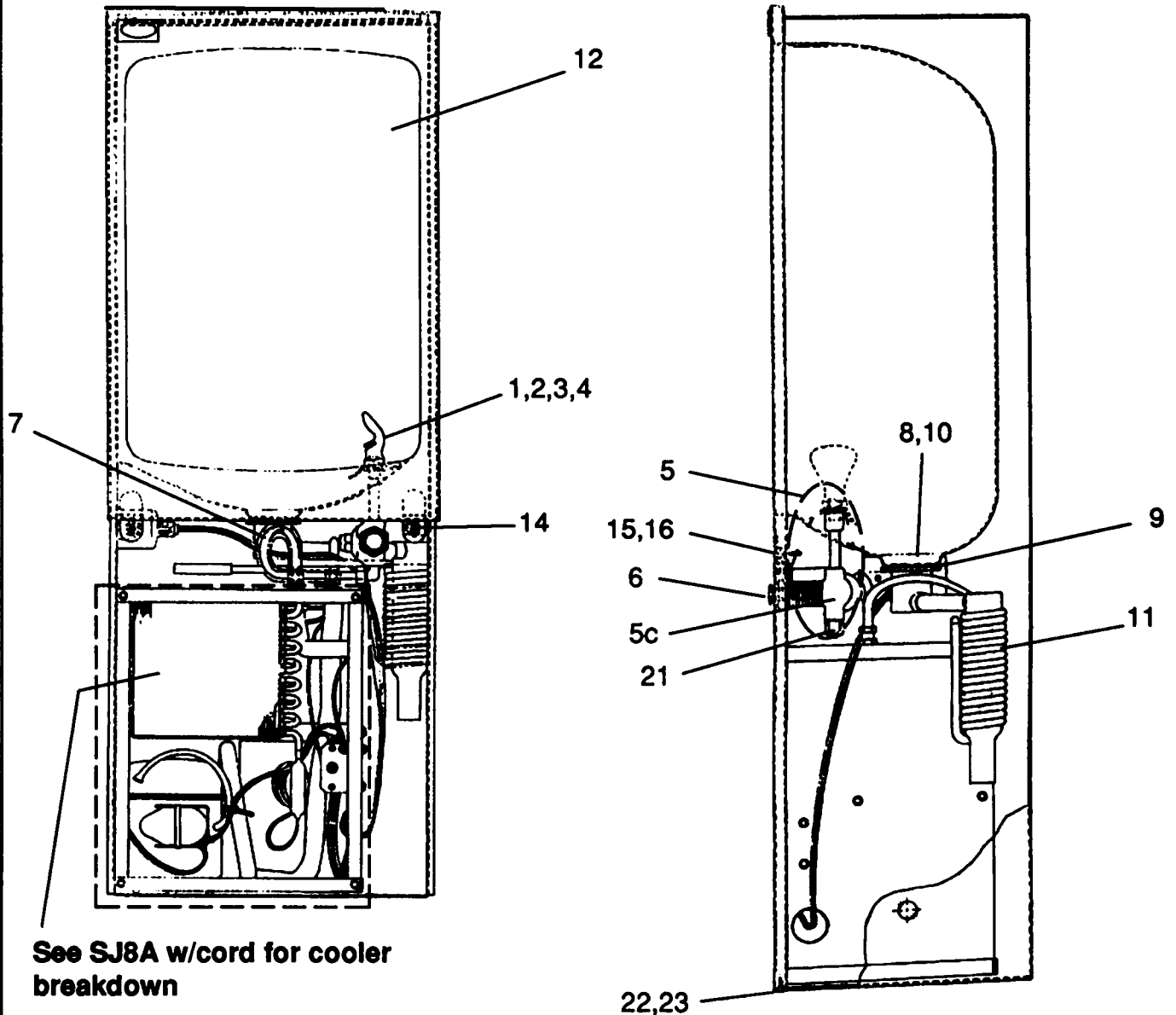
**NOTE: SEE SJ8A W/CORD FOR BREAKDOWN OF COOLING UNIT**

**ACCESSORIES AVAILABLE**  
73-15243-51-550 – Vandal Proof Kit\*

XXX Please specify color when ordering. See Color Chart on page I-A for colors available.

\*See Detailed Parts Section for further breakdown.

# MODELS RC8A-2, RC12A-2, RC8A-2GF and RC12A-2GF



See SJ8A w/cord for cooler  
breakdown

To order parts, contact your nearest Halsey Taylor wholesaler or representative.

*Continued product improvement makes specifications subject to change without notice.*

*Halsey Taylor.*