

# HALSEY TAYLOR OWNERS MANUAL

USES HFC-134A REFRIGERANT

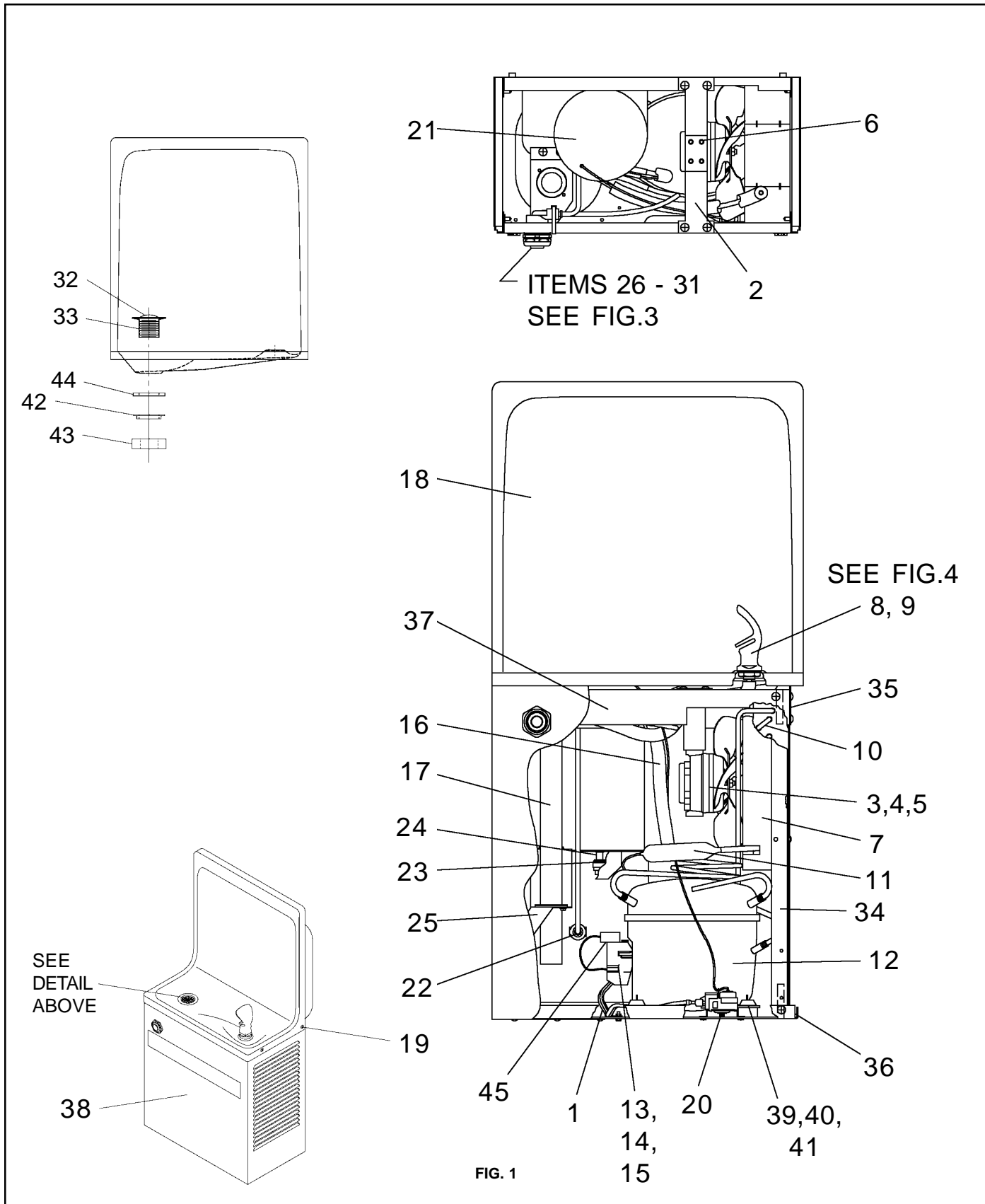


FIG. 1

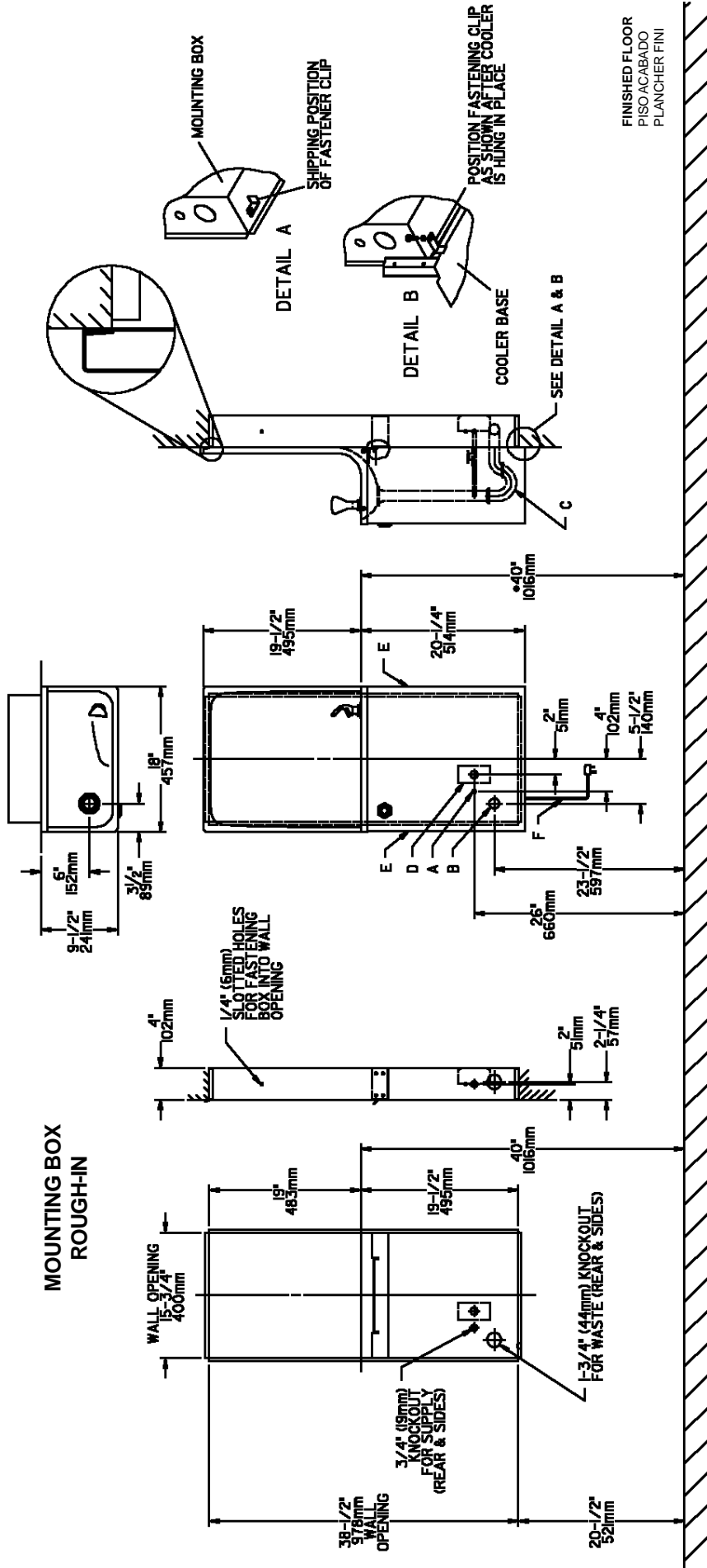


FIG. 2

\* **RECOMMENDED HEIGHT FOR ADULTS. DECREASE HEIGHT FOR CHILDREN.**  
 \* ALTURA RECOMENDADA PARA ADULTOS. REDUZCA PARA LOS NIÑOS.  
 \* HAUTEUR RECOMMANDÉE POUR LES ADULTES. INSTALLEZ PLUS BAS POUR LES ENFANTS.

**LEGEND/LEYENDA/LÉGENDE**

**A = RECOMMENDED WATER SUPPLY LOCATION 3/8 O.D. UNPLATED COPPER TUBE CONNECT STUB 1-1/2 IN. (38 mm) OUT FROM WALL SHUT OFF BY OTHERS**  
 SE RECOMIENDA UBICAR EL TUBO CORTO DE CONEXIÓN AL TUBO DE COBRE SIN CHAPAR DE 3/8" DE DIAM. EXT. A 1-1/2" (38 mm) FUERA DE LA LLAVE DE PASO EN LA PARED COLOCADA POR TERCEROS.  
 EMPLACEMENT RECOMMANDÉ D'ALIMENTATION EN EAU PAR TUBE EN CUIVRE NON PLAQUÉ DE 3/8 PO. (9,5 mm) D.E. CONNECTANT UNE TUYAUTERIE DE 1-1/2 PO. (38 mm) DEPUIS LE ROBINET D'ARRÊT FOURNI PAR D'AUTRES.

**B = RECOMMENDED LOCATION FOR WASTE OUTLET 1-1/4" O.D. DRAIN**  
 UBICACION RECOMENDADA PARA EL DRENAJE DE SALIDA DE AGUA, DE 1-1/4" DE DIÁMETRO.  
 EMPLACEMENT RECOMMANDÉ POUR LE DRAIN DE D.E. 1-1/4" DE SORTIE D'EAU.

**C = 1-1/4" TRAP NOT FURNISHED\***  
 PURGADOR DE 1-1/4" NO PROPORCIONADO\*\*  
 SIPHON 1-1/4" NON FOURNI\*\*

**D = ELECTRICAL OUTLET LOCATION**  
 UBICACIÓN DE LA TOMA DE ELECTRICIDAD  
 EMPLACEMENT DE LA PRISE DE COURANT

**E = INSURE PROPER VENTILATION BY MAINTAINING 4" (102mm) (MIN.) CLEARANCE FROM CABINET LOUVERS TO WALL.**  
 ASEGURE UNA VENTILACIÓN ADECUADA MANTENIENDO UN ESPACIO E 4" (102mm) (MIN.) DE HOLGURA ENTRE LA REJILLA DE VENTILACION DEL MUEBLE Y LA PARED  
 ASSUREZ-VOUS UNE BONNE VENTILATION EN GARDANT 4" (102mm) (MIN.) ENTRE LES ÉVÉNENTS DE L'ENCEINTE ET LE MUR.

**F = POWER CORD 1-1/2FEET (457mm) LONG**  
 CABLE ELÉCTRICO DE 1-1/2 PIE. 457 mm DE LARGO  
 CORDON D'ALIMENTATION 1-1/2 (457mm)

**IMPORTANT**  
**ALL SERVICE TO BE PERFORMED BY AN AUTHORIZED SERVICE PERSON**

**HANGER BRACKETS AND TRAP INSTALLATION**

- 1) Remove hanger brackets fastened to back of cooler by removing screws.
  - 2) Mount the hanger brackets and trap as shown in Figure 2.
- NOTE: Mounting Box and trap MUST be supported securely. Add fixture support carrier if wall will not provide adequate support.

**IMPORTANT:**

- 5-1/2 in. (140mm) dimension from wall to centerline of trap must be maintained for proper fit.
  - Anchor hanger securely to wall using all six (6) 1/4 in. dia. mounting holes.
- 3) Install straight valve for 3/8" O.D. unplated copper tube.

**INSTALLATION OF COOLER**

- 4) Hang the cooler on the mounting box. Be certain the brackets are engaged properly in the frame and wrapper.
- 5) Remove the access panel on the underside of the cooler and set it aside.
- 6) Connect water inlet line--See Note 4 of General Instructions.
- 7) Remove the slip nut and gasket from the trap and install them on the cooler waste line making sure that the end of the waste line fits into the trap. Assemble the slip nut and gasket to the trap and tighten securely.

**START UP**

Also See General Instructions

- 8) Replace the front panel and secure by retightening all screws.

Stream height is factory set at 35 PSI. If supply pressure varies greatly from this, remove items 26 & 27 and adjust screw on item 29. Clockwise adjustment will raise stream and counter-clockwise adjustment will lower stream. For best adjustment, stream should hit basin approximately 6-1/2" (165mm) from bubbler.

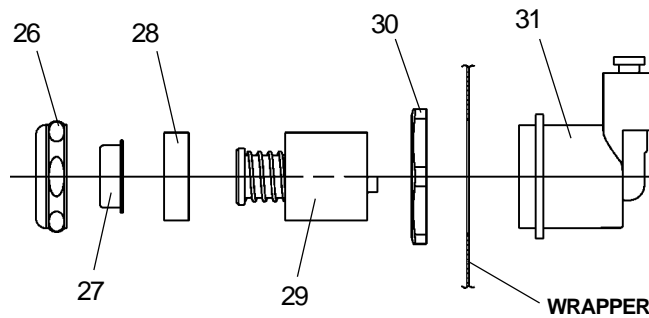
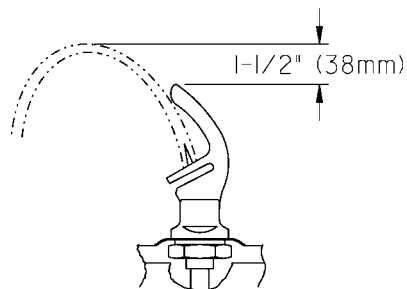


FIG. 3



CORRECT STREAM HEIGHT

FIG. 4

ITEMIZED PARTS LIST

| ITEM NO. | PART NO.        | DESCRIPTION                   |
|----------|-----------------|-------------------------------|
| 1        | 31504C          | Power Cord                    |
| 2        | 27321C          | Fan Bracket                   |
| 3        | 30699C          | Fan Blade                     |
| 4        | 70018C          | Hex Nut - Fan Blade           |
| 5        | 31490C          | Fan Motor                     |
| 6        | 70009C          | Screw (Fan Motor)             |
| 7        | 50186C          | Shroud - Fan                  |
| 8        | 51544C          | Bubbler                       |
| 9        | 10079C          | Nipple - Bubbler              |
| 10       | 62152C          | Condenser                     |
| 11       | 66202C          | Drier                         |
| 12*      | 35767C          | Compressor Serv. Pak FF7.5HBK |
| 12a*     | 35947C          | Compressor Serv. Pak EM65     |
| 13       | 194243901550    | Cover - Electrical Shield     |
| 14       | 31025C          | Overload/Relay 1.350.358      |
| 14a      | 31039C          | Overload/Relay P600B/427NFBYY |
| 15       | 35766C          | Cover - Relay                 |
| 15a      | 35768C          | Cover - Relay                 |
| 16       | 66223C          | Heat Exchanger                |
| 16a      | 66501C          | Heat Exchanger                |
| 17       | 40041C          | Tailpipe Assy (8 Gal)         |
|          | 40429C          | Precooler Assy (13 Gal)       |
| 18       | 27230C          | Basin - Stainless Steel       |
| 19       | 70208C          | Screw - Basin Mtg.            |
| 20       | 31513C          | Cold Control                  |
| 21       | 62220C          | Evaporator Assembly           |
| 22       | 55996C          | Strainer                      |
| 23       | 70772C          | Drain Plug                    |
| 24       | 70767C          | Evaporator Retaining Clip     |
| 25       | 27239C          | Bracket - Precooler           |
| 26       | 40089C          | Cover                         |
| 27       | 40048C          | Button                        |
| 28       | 15005C          | Retaining Nut                 |
| 29       | 61313C          | Regulator                     |
| 30       | 40169C          | Hex Nut                       |
| 31       | 50986C          | Regulator Holder              |
| 32       | 40038C          | Strainer - Beehive            |
| 33       | 40619C          | Ferrule - Tailpipe            |
| 34       | 27093C          | Angle - Front Corners         |
| 35       | 27292C          | Bracket - Basin Mounting      |
| 36       | 27331C          | Frame - Back/Bottom           |
| 37       | 27258C          | Bracket - Front               |
| 38       | See Color Table | Wrapper                       |
| 39       | 50144C          | Grommet - Compressor Mtg.     |
| 40       | 70184C          | Hair Pin - Cotter             |
| 41       | 70418C          | Washer                        |
| 42       | 40043C          | Locknut                       |
| 43       | 50105C          | Tailpipe Gasket               |
| 44       | 50074C          | Tailpipe Gasket               |
| 45a      | 35935C          | Capacitor - Run               |

\*INCLUDES RELAY & OVERLOAD. IF UNDER WARRANTY, REPLACE WITH SAME COMPRESSOR USED IN ORIGINAL ASSEMBLY.

NOTE: All correspondence pertaining to any of the above water coolers or orders for repair parts MUST include Model No. and Serial No. of cooler, name and part number of replacement part.

| 220v 50Hz |           |                              |
|-----------|-----------|------------------------------|
| ITEM NO.  | PART. NO. | DESCRIPTION                  |
| 5         | 31430C    | Fan - Motor 4w 230v 50/60 Hz |
| 12        | 31514C    | Compressor 220v              |
| 14        | 31024C    | Overload/Relay Assy          |
| 15        | 35768C    | Cover - Relay                |
| 16        | 66249C    | Heat Exchanger               |

| COLOR TABLE     |                      |
|-----------------|----------------------|
| PANEL COLOR     | Item No. 39 Part No. |
| Almond Vinyl    | 26942C               |
| Platinum Vinyl  | 26943C               |
| Stainless Steel | 26948C               |
| Slate Vinyl     | 26949C               |

www.DrinkingFountainDoctor.com

800-518-5388

**Halsey Taylor**  
 2222 CAMDEN COURT  
 OAK BROOK, IL 60523  
 630.574.3500

PRINTED IN U.S.A.