

HALSEY TAYLOR OWNERS MANUAL

USES HFC-134A REFRIGERANT

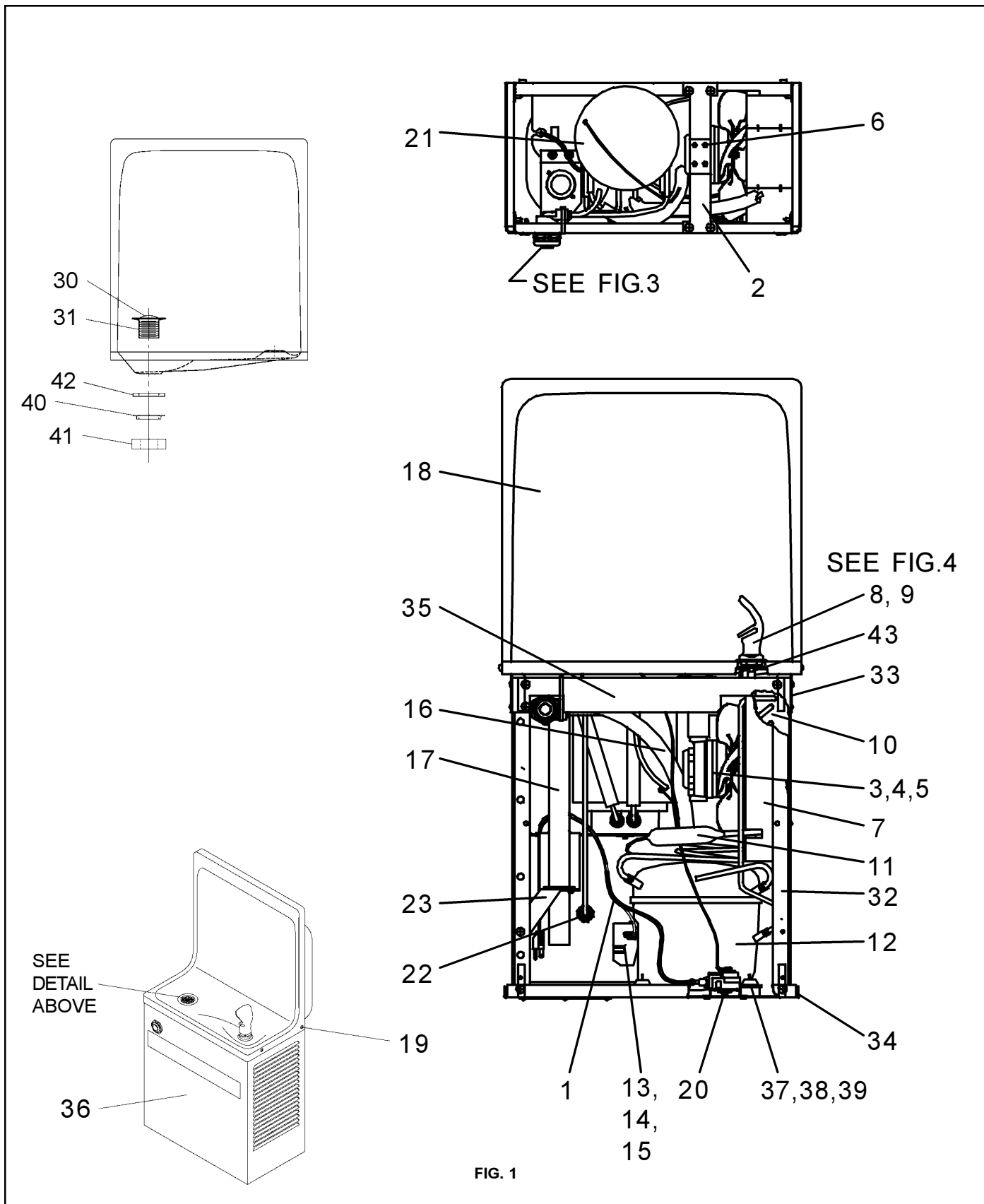


FIG. 1

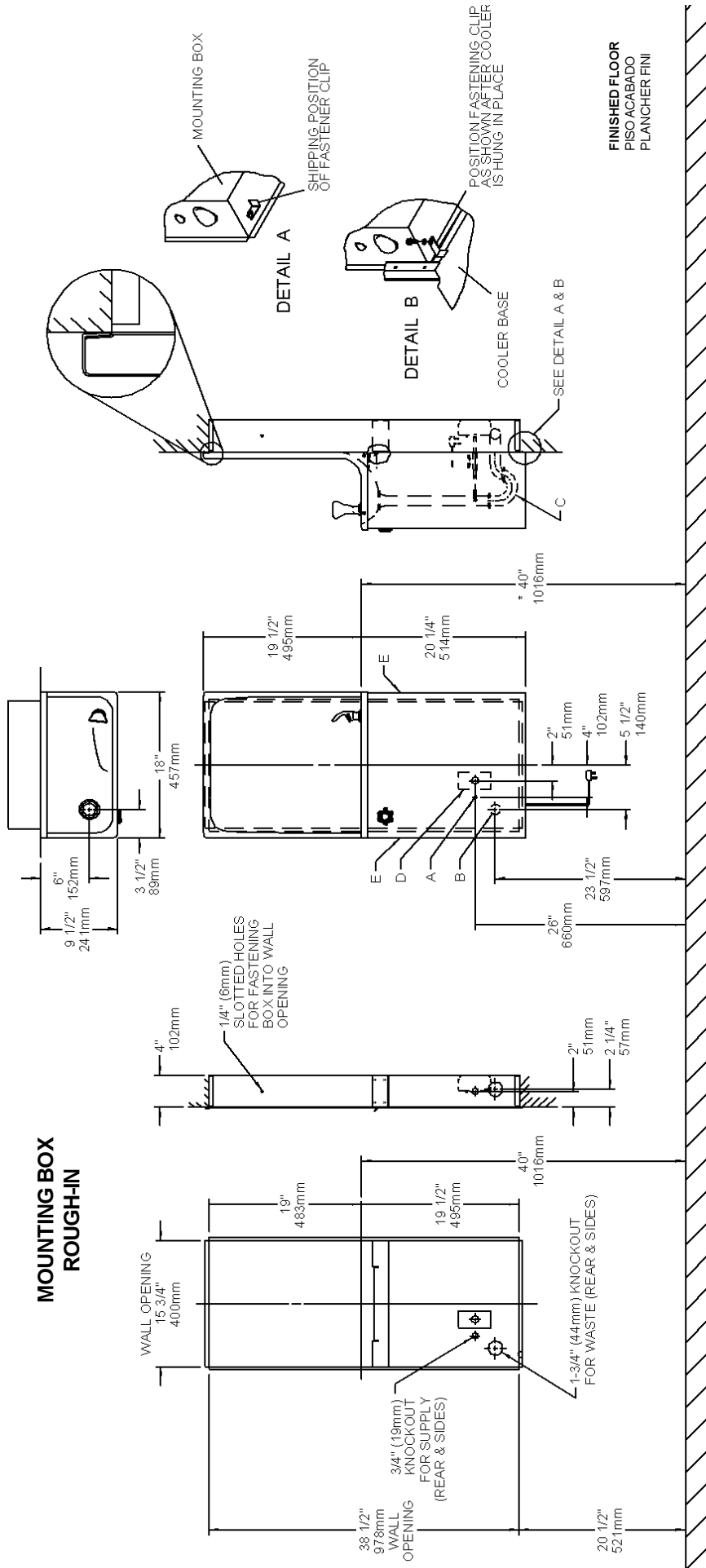


FIG. 2

* **RECOMMENDED HEIGHT FOR ADULTS. DECREASE HEIGHT FOR CHILDREN.**
 * ALTURA RECOMENDADA PARA ADULTOS. REDUZCA PARA LOS NIÑOS.
 * HAUTEUR RECOMMANDÉE POUR LES ADULTES. INSTALLEZ PLUS BAS POUR LES ENFANTS.

- LEGEND/LEYENDA/LÉGENDE**
- A = RECOMMENDED WATER SUPPLY LOCATION 3/8 O.D. UNPLATED COPPER TUBE CONNECT STUB 1-1/2 IN. (38 mm) OUT FROM WALL SHUT OFF BY OTHERS**
 SE RECOMIENDA UBICAR EL TUBO CORTO DE CONEXIÓN AL TUBO DE COBRE SIN CHAPAR DE 3/8" DE DIAM. EXT. A 1-1/2" (38 mm) FUERA DE LA LLAVE DE PASO EN LA PARED COLOCADA POR TERCEROS.
 EMBLACEMENT RECOMMANDÉ D'ALIMENTATION EN EAU PAR TUBE EN CUIVRE NON PLAQUÉ DE 3/8 PO. FOURNI PAR D'AUTRES.
 - B = RECOMMENDED LOCATION FOR WASTE OUTLET, 1-1/4" O.D. DRAIN**
 UBICACION RECOMENDADA PARA EL DRENAJE DE SALIDA DE AGUA, DE 1 1/4" DE DIÁMETRO.
 EMBLACEMENT RECOMMANDÉ POUR LE DRAIN DE D.E. 1-1/4" DE SORTIE D'EAU.
 PURGADOR DE 1 1/4" NO PROPORCIONADO**
 SIPHON 1-1/4" NON FOURNI**
 - D = ELECTRICAL OUTLET LOCATION**
 UBICACION DE LA TOMA DE ELECTRICIDAD
 EMBLACEMENT DE LA PRISE DE COURANT
 - E = INSURE PROPER VENTILATION BY MAINTAINING 4" (102mm) (MIN.) CLEARANCE FROM CABINET LOUVERS TO WALL.**
 ASEGURE UNA VENTILACION ADECUADA MANTENIENDO UN ESPACIO E 4" (102mm) (MIN.) DE HOLGURA ENTRE LA REJILLA DE VENTILACION DEL MUEBLE Y LA PARED
 ASSUREZ-VOUS UNE BONNE VENTILATION EN GARDANT 4" (102mm) (MIN.) ENTRE LES ÉVÉNENTS DE L'ENCEINTE ET LE MUR.
 - F = POWER CORD 1-1/2 FEET (457mm) LONG**
 CABLE ELECTRICO DE 1 1/2 PIE, 457 mm DE LARGO
 CORDON D'ALIMENTATION 1-1/2 (457mm)

IMPORTANT

ALL SERVICE TO BE PERFORMED BY AN AUTHORIZED SERVICE PERSON

INSTALLATION OF COOLER AND TRAP

- 1) Hang the unit from the mounting box by placing tabs from the upper backside of the basin over top of the upper flange on mounting box as shown in FIG. 2.

NOTE: Mounting box and trap **MUST** be supported securely. Add fixture support carrier if wall will not provide adequate support.

IMPORTANT:

- 5-1/2 in. (140mm) dimension from wall to centerline of trap must be maintained for proper fit.
- 2) Secure unit in place by positioning fastening clips as shown in FIG. 2 - Detail B.
 - 3) Install straight valve for 3/8 in. O.D. unplated copper tube.
 - 4) Remove the access panel on the underside of the cooler and set it aside.
 - 5) Connect water inlet line -- See Note 4 of General Instructions.
 - 6) Remove the slip nut and gasket from the trap and install them on the cooler waste line making sure that the end of the waste line fits into the trap. Assemble the slip nut and gasket to the trap and tighten securely.

START UP

Also See General Instructions

- 7) Replace the front panel and secure by retightening all screws.

Stream height is factory set at 35 PSI. If supply pressure varies greatly from this, remove items 24 and 25 and adjust screw on item 27. Clockwise adjustment will raise stream and counter-clockwise adjustment will lower stream. For best adjustment, stream should hit basin approximately 6-1/2" (165mm) from bubbler.

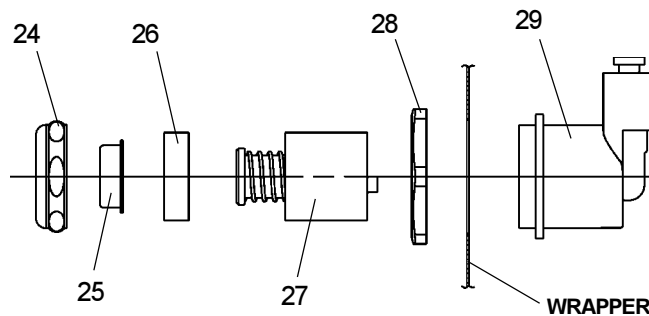
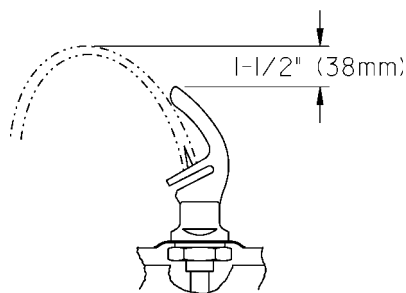


FIG. 3



CORRECT STREAM HEIGHT

FIG. 4

RWM8*1G RWM13*1G

ITEMIZED PARTS LIST

| ITEM NO. | PART NO. | DESCRIPTION |
|----------|-----------------|---------------------------|
| 1 | 31504C | Power Cord |
| 2 | 27321C | Fan Bracket |
| 3 | 30699C | Fan Blade |
| 4 | 70018C | Hex Nut - Fan Blade |
| 5 | 31490C | Fan Motor |
| 6 | 70009C | Screw (Fan Motor) |
| 7 | 50186C | Shroud - Fan |
| 8 | 51544C | Bubbler |
| 9 | 15008C | Nipple - Bubbler |
| 10 | 62152C | Condenser |
| 11 | 66202C | Drier |
| 12* | 35960C | Compressor Serv. Pak EM65 |
| 13 | 35958C | Overload |
| 14 | 35768C | Cover - Relay |
| 15 | 35959C | Relay |
| 16 | 66501C | Heat Exchanger |
| 17 | 40041C | Tailpipe Assy (8 Gal) |
| | 40429C | Precooler Assy (13 Gal) |
| 18 | 27230C | Basin - Stainless Steel |
| 19 | 70208C | Screw - Basin Mtg. |
| 20 | 31513C | Cold Control |
| 21 | 66505C | Evaporator Assembly |
| 22 | 55996C | Strainer |
| 23 | 27239C | Bracket - Precooler |
| 24 | 40089C | Cover |
| 25 | 40048C | Button |
| 26 | 15005C | Retaining Nut |
| 27 | 61313C | Regulator |
| 28 | 40169C | Hex Nut |
| 29 | 50986C | Regulator Holder |
| 30 | 40038C | Strainer - Beehive |
| 31 | 40619C | Ferrule - Tailpipe |
| 32 | 27093C | Angle - Front Corners |
| 33 | 27292C | Bracket - Basin Mounting |
| 34 | 27331C | Frame - Back/Bottom |
| 35 | 27094C | Bracket - Front |
| 36 | See Color Table | Wrapper |
| 37 | 50144C | Grommet - Compressor Mtg. |
| 38 | 70184C | Hair Pin - Cotter |
| 39 | 70418C | Washer |
| 40 | 40043C | Locknut |
| 41 | 50105C | Tailpipe Gasket |
| 42 | 50074C | Tailpipe Gasket |
| 43 | 70817C | Fitting - Elbow 1/4 Stem |

| COLOR TABLE | |
|-----------------|----------------------|
| PANEL COLOR | Item No. 36 Part No. |
| Almond Vinyl | 26942C |
| Platinum Vinyl | 26943C |
| Stainless Steel | 26948C |
| Slate Vinyl | 26949C |

***INCLUDES RELAY & OVERLOAD. IF UNDER WARRANTY, REPLACE WITH SAME COMPRESSOR USED IN ORIGINAL ASSEMBLY.**

NOTE: All correspondence pertaining to any of the above water coolers or orders for repair parts MUST include Model No. and Serial No. of cooler, name and part number of replacement part.

www.DrinkingFountainDoctor.com

800-518-5388

Halsey Taylor
 2222 CAMDEN COURT
 OAK BROOK, IL 60523
 630.574.3500

PRINTED IN U.S.A.