

MODELS S3C, S5C and S10C

S3C, S5C and S10C PART LIST

REF NO.	PART NUMBER	DESCRIPTION	S3C	S5C	S10C
1	10-03041-51-640	Projector*	X	X	X
1a	10-14884-51-550	Cartridge (7-701) (included in item 1)*	X	X	X
2	10-03227-40-560	Projector Gasket (2 each)	X	X	X
3	16-06092-08-550	Projector Nipple	X	X	X
4	16-16373-08-640	Drain Plug	X	X	X
5	16-02705-08-640	Strainer Plate	X	X	X
6	10-01471-40-560	Waste Gasket	X	X	X
7	19-06957-51-560	Condenser	X		
7	19-15098-51-550	Condenser		X	
7	19-08036-51-560	Condenser			X
8	60-07321-51-550	Compressor Assembly	X		
8	60-07548-51-550	Compressor Assembly		X	
8	60-07907-51-550	Compressor Assembly			X
8a	19-07396-51-550	Relay (included in item 8)	X		
8a	19-07549-51-550	Relay (included in item 8)		X	
8a	19-07960-51-550	Relay (included in item 8)			X
8b	19-07401-51-550	Overload (included in item 8)	X	X	
8b	19-07724-51-550	Overload (included in item 8)			X
9	19-42339-51-550	Primary Temperature Control	X	X	X
10	19-15342-51-550	Secondary Temperature Control			
11	19-10864-82-550	Starting Capacitor			X
12	NO LONGER AVAILABLE	Fan Motor		X	
12	19-14482-51-550	Fan Motor			X
13	19-06487-04-550	Fan Blade		X	
13	19-06285-04-550	Fan Blade			X
14	41-06286-51-730	Fan Bracket		X	
14	10-06724-43-560	Fan Bracket			X

ALL OTHER PARTS NO LONGER AVAILABLE

XXX Please specify color when ordering. See Color Chart on page I-A for colors available.

*See Detailed Parts Section for further breakdown.

MODELS S3C, S5C and S10C

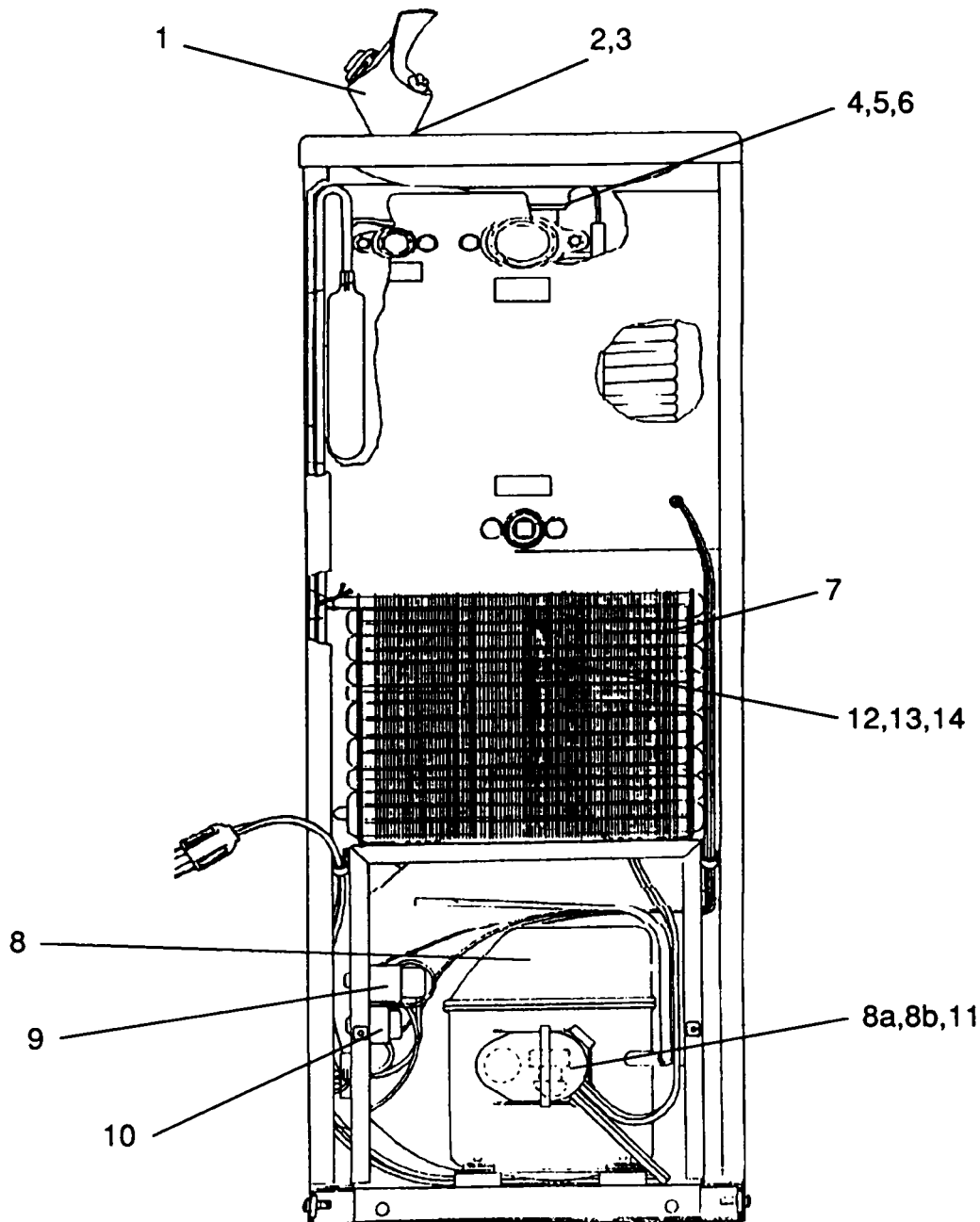
MODEL#	MFG DATE S/N ENDING	COLD* WATER CAP	COMP H/P	VOLTAGE ± 10	PH	HZ	TOTAL AMPS	R-12* REFRIG CHARGE	WATER INLET PSIG
S3C	OBSOLETE	2.6 GPH	1/6	115	1	60	3.0	3.0 oz	20-90
S5C	OBSOLETE	6.0 GPH	1/5	115	1	60	4.0	10.0 oz	20-90
S10C	OBSOLETE	9.6 GPH	1/4	115	1	60	6.0	8.0 oz	20-90

HEIGHT: 40½"

WIDTH: 12¼"

DEPTH: 12¼"

*ARI RATINGS: Capacity at GPH cooled to 50° with 90°F ambient temperature and 80°F inlet water



To order parts, contact your nearest Halsey Taylor wholesaler or representative.

Continued product improvement makes specifications subject to change without notice.

Halsey Taylor.