

MODEL S300-2D-CB-1

S300-2D-CB-1 PART LIST

REF NO.	PART NUMBER	DESCRIPTION
1	10-03041-51-640	Projector*
1a	10-14884-51-550	Cartridge (7-701) (included in item 1)
2	10-03227-40-560	Projector Gasket (2 each)
3	16-42293-16--550	Projector Nipple (included in item 4)
4	60-26003--51-550	Cold Water Line Assembly
5	16-15552--51-640	Hot Water Valve Assembly*
5a	10-06833-31-810	Handle (included in item 5)
5b	16-06832-08-640	Gooseneck (included in item 5)
5c	10-09673-51-550	Stem (included in item 5)
6	40-15487-16-550	Inlet Line
7	40-15057-42-830	Receptor
8	11-26275-42-830	Receptor Screws (4 each)
9	10-14863-40-560	Waste Gasket
10	60-15065-51-550	Drain Elbow Assembly
11	60-15488-51-550	Evaporator Chiller
12	19-42339-51-550	Temperature Control
13	92523C	Hot Tank
14	19-15047-51-550	Hot Temperature Control
15	60-26795-51-550	Compressor Assembly
15a	19-26928-82-550	Relay/Overload (included in item 15)
16	60-26828-51-550	Condenser
17	10-10800-51-010	Drier
18	19-26109-51-550	Thermal Link
19	19-26682-51-550	Wiring Assembly
20	60-26806-51-550	Capillary Tube
21	16-14564-08-550	Service Valve
22	40-14866-43-960	Front Panel (not shown)
23	40-14583-43-960	Left Side Panel
24	40-14584-43-960	Right Side Panel
25	11-10083-43-890	Panel Screws (27 each)
26	13-14905-31-920	Name Plate (not shown)
27	40-14556-43-730	Shelf
28	40-14749-43-730	Base
29	40-14847-43-730	Service Plate
30	40-14869-31-560	Black Toe Plate (not shown)
31	11-15078-43-560	Toe Plate Screws (2 each)

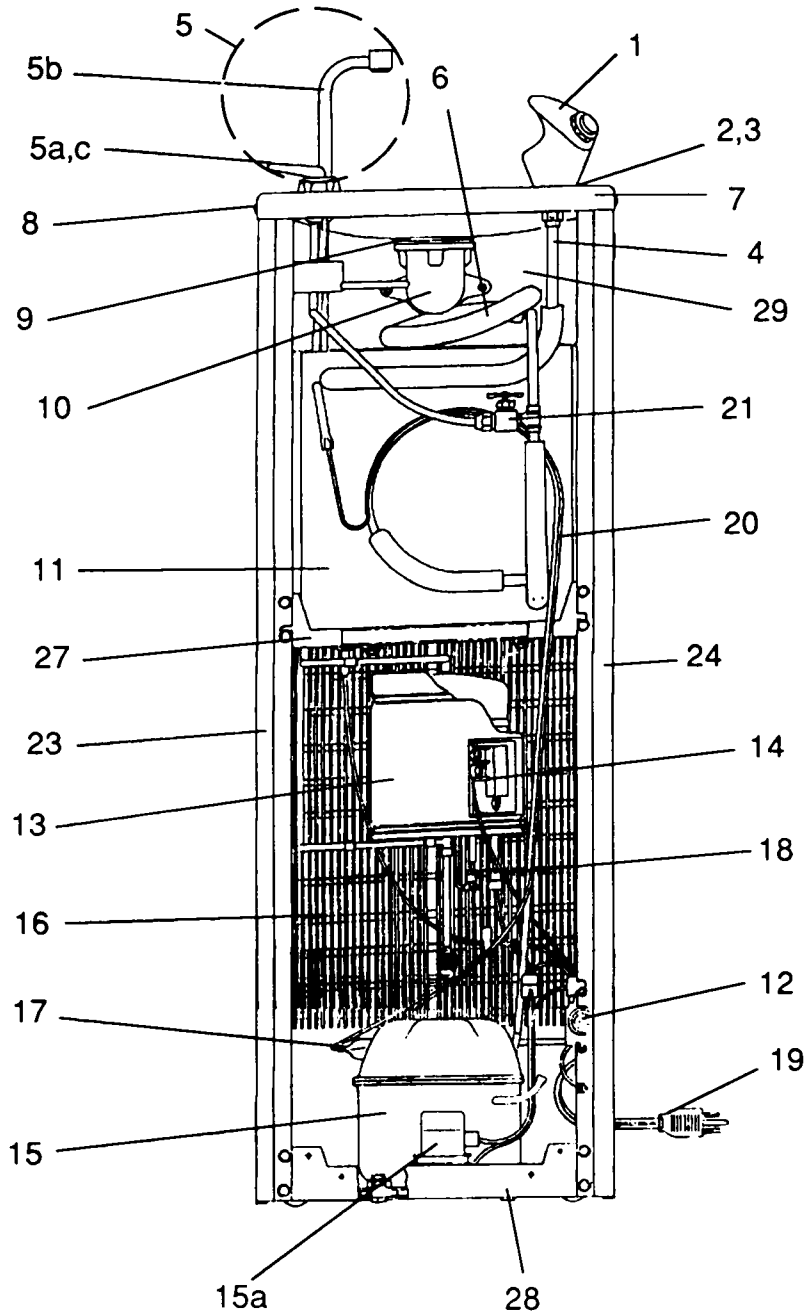
ACCESSORIES AVAILABLE	
Spanner Wrench for Bubbler - 10-03563-01-550	
Glass Fillers: See Spec Book	
Glass Filler Kits: 73-15536-51-550 (includes 8560 Glass Filler)	
73-26095-51-550 (Does not include Glass Filler)	

XXX Please specify color when ordering. See Color Chart on page I-A for colors available.

*See Detailed Parts Section for further breakdown.

MODEL S300-2D-CB-1

MODEL#	MFG DATE S/N ENDING	COLD WATER CAP*	COMP HP	VOLTAGE ± 10	PH	HZ	TOTAL AMPS	R-12 REFRIG CHARGE*	WATER INLET PSIG
S3002DCB-1	G88 - Current	2GPH	1/8	115	1	60	8.5	3.25 oz	20-90
HEIGHT: 37½"			WIDTH: 12¼"			DEPTH: 12¼"			
*ARI ratings: capacity at GPH cooled to 50° with 90°F ambient temperature and 80°F inlet water.									



To order parts, contact your nearest Halsey Taylor wholesaler or representative.

Continued product improvement makes specifications subject to change without notice.

Halsey Taylor.

P.O. BOX 9001
OAKBROOK, ILLINOIS 60521