

# Halsey Taylor Owners Manual

## USES HFC-134A REFRIGERANT

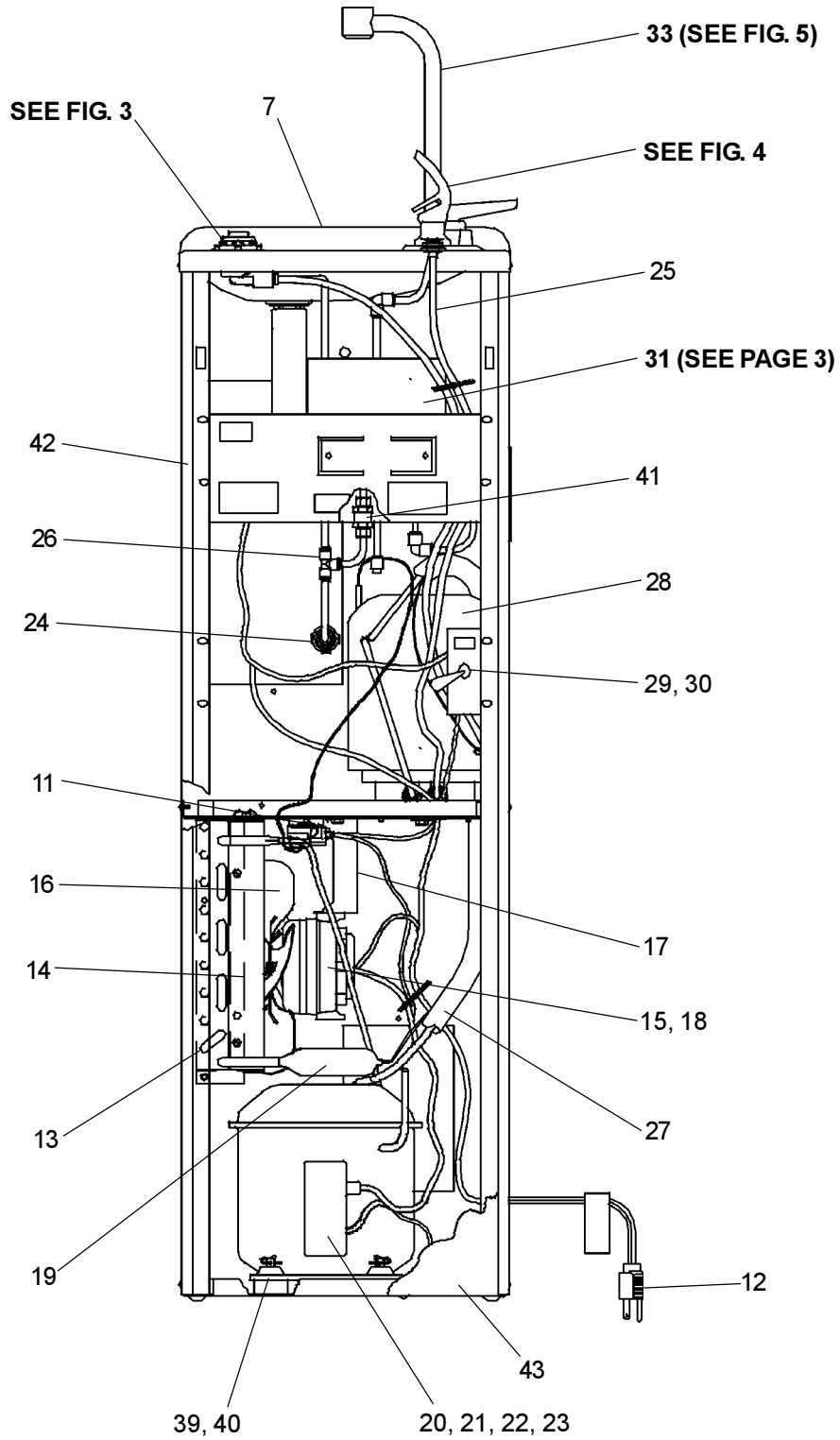


FIG. 1

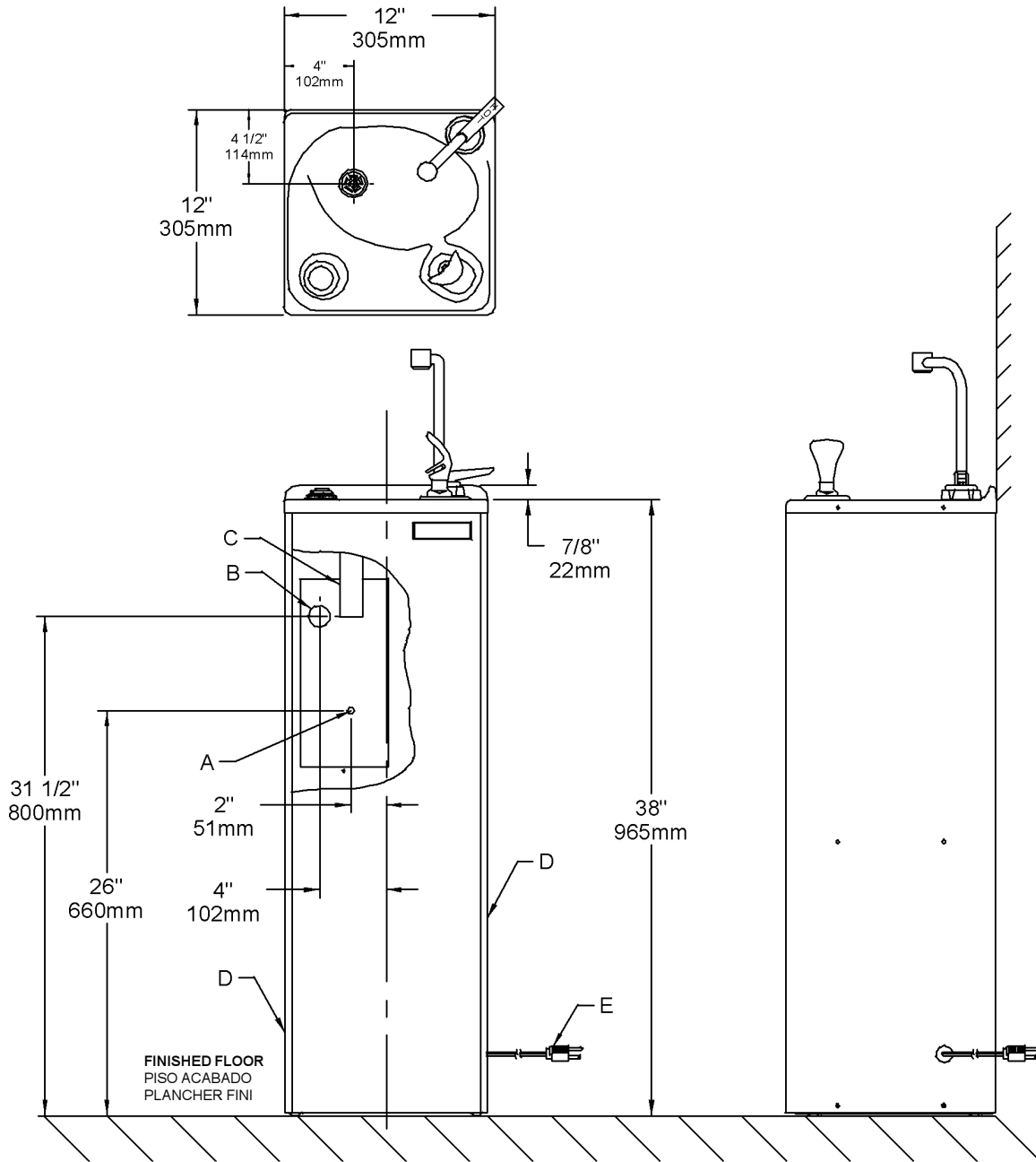


FIG. 2

**LEGEND/LEYENDA/LÉGENDE**

**A = RECOMMENDED WATER SUPPLY LOCATION 3/8 O.D. UNPLATED COPPER TUBE CONNECT STUB 1-1/2" (38mm) OUT FROM WALL SHUT OFF BY OTHERS**

SE RECOMIENDA UBICAR EL TUBO DE CONEXIÓN AL TUBO DE COBRE SIN CHAPAR DE 3/8" DE DIAM. EXT. A 1-1/2" (38mm) FUERA DE LA LLAVA DE PASO EN LA PARED COLOCADA POR TERCEROS.

EMPLACEMENT RECOMMANDÉ D'ALIMENTATION EN EAU PAR TUBE EN CUIVRE NON PLAQUÉ DE 3/8 PO. (9,5mm) D.E. CONNECTANT UNE TUYAUTERIE DE 1-1/2 PO. (38mm) DEPUIS LE ROBINET D'ARRET FOURNI PAR D'AUTRES.

**B = RECOMMENDED LOCATION FOR WASTE OUTLET 1-1/4" O.D. DRAIN**

UBICACIÓN RECOMENDADA PARA EL DRENAJE DE SALIDA DE AGUA, DE 1-1/4" DE DIÁMETRO.

EMPLACEMENT RECOMMANDÉ POUR LE DRAIN DE D.E. 1-1/4" DE SORTIE D'EAU.

**C = 1-1/4 TRAP NOT FURNISHED**

PURGADOR DE 1-1/4 NO PROPORCIONADO

SIPHON 1-1/4 NON FOURNI

**D = INSURE PROPER VENTILATION BY MAINTAINING 4" (102mm) (MIN.) CLEARANCE FROM CABINET LOUVERS TO WALL.**

ASEGURE UNA VENTILACIÓN ADECUADA MANTENIENDO UN ESPACIO DE 4" (102mm) (MÍN.) DE HOLSURA ENTRE LA REJILLA DE VENTILACIÓN DEL MUEBLE Y LA PARED

ASSUREZ-VOUS UNE BONNE VENTILATION EN GARDANT 4" (102mm) (MÍN.) ENTRE LES ÉVENTS DE L'ENCEINTE ET LE MUR.

**E = POWER CORD 4 FEET (1219mm) LONG**

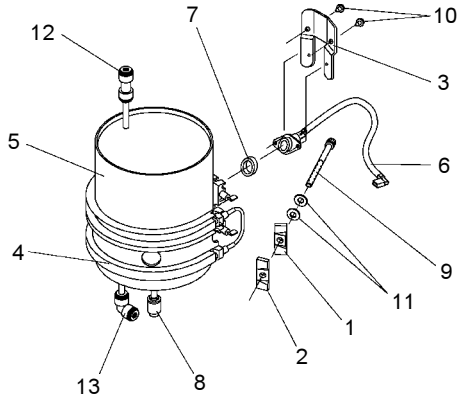
CABLE ELÉCTRICO DE 4 PIE (1219mm), DE LARGO

CORDON D'ALIMENTATION 4' (1219mm)

### SERVICING THE HOT CONTROL AND FUSE ASSEMBLY

1. A temperature sensing non-resetable fuse in the wire is located approximately 3" (76mm) from the thermostat. The fuse is located under the retaining bracket (Item 3) in the groove on the heater element jacket (Item 4).
2. The thermostat must be used with a washer-spacer (Item 7) and be centered in the heater element jacket for proper temperature control. Locate the heater element jacket about 3/4" (19mm) above the bottom of the tank.
3. The heater element jacket must be fastened **VERY TIGHTLY** to the tank (45+/-10 inch-lbs. of torque on the mounting screw Item 9). Failure to **TIGHTEN** heater element jacket may cause rapid failure of the fuse assembly.

#### HOT TANK PARTS LIST



| ITEM NO. | PART. NO. | DESCRIPTION                    |
|----------|-----------|--------------------------------|
| 1        | 22111C    | Heater Clamping Bracket        |
| 2        | 22112C    | Heater Clamping Bracket (thrd) |
| 3        | 22113C    | Retaining Bracket              |
| 4        | 30980C    | Heater Element & Jacket        |
| 5        | 31386C    | Tank & Tube Assy               |
| 6        | 31428C    | Hot Control Assy               |
| 7        | 50787C    | Washer-Spacer                  |
| 8        | 70606C    | Drain Plug                     |
| 9        | 70607C    | Screw 1/4-20 x 3.00" HSHC      |
| 10       | 70640C    | Screw #8-18 x 5/16" HHTC       |
| 11       | 70659C    | Belleville Washer              |
| 12       | 70683C    | 1/4 Union                      |
| 13       | 70793C    | 1/4 Elbow                      |
| NS       | 22588C    | Hot Tank Mounting Bracket      |

Stream height is factory set at 35 PSI. If supply pressure varies greatly from this, remove Items 1 & 2 and adjust screw on Item 4. Clockwise adjustment will raise stream and counter-clockwise adjustment will lower stream. For best adjustment, stream should hit basin approximately 6-1/2" (165mm) from bubbler.

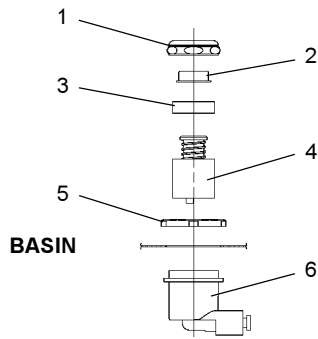


FIG. 3

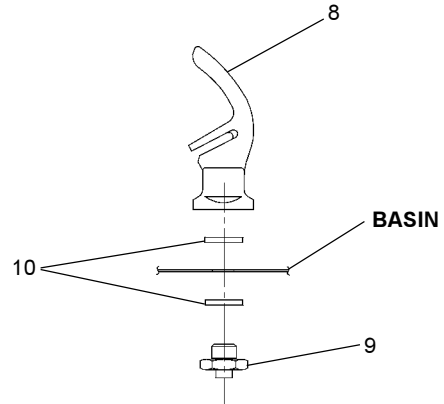


FIG. 4

#### WIRING DIAGRAM

This Drawing is merely for illustrating the components of the electrical system.

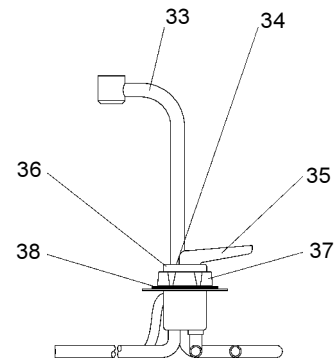
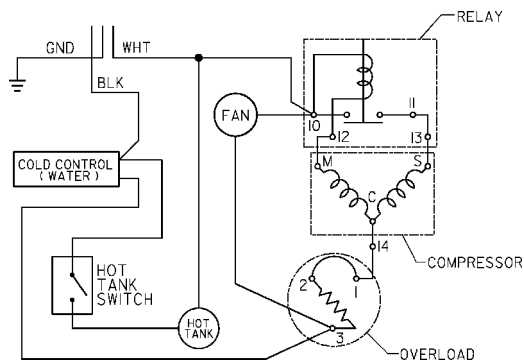


FIG. 5

## PARTS LIST 115V

| ITEM NO. | PART NO.     | DESCRIPTION                       |
|----------|--------------|-----------------------------------|
| 1        | 40089C       | Cover                             |
| 2        | 40048C       | Button                            |
| 3        | 15005C       | Regulator Retaining Nut           |
| 4        | 61313C       | Regulator                         |
| 5        | 40169C       | Hex Nut                           |
| 6        | 50986C       | Regulator Holder                  |
| 7        | 27843C       | Basin & Drain Assy                |
| 8        | 51544C       | Bubbler - Chrome                  |
| 9        | 15008C       | Nipple - Bubbler                  |
| 10       | 100322740560 | Gasket - Bubbler (upper & lower)  |
| 11       | 31513C       | Cold Control                      |
| 12       | 31495C       | Power Cord                        |
| 13       | 66303C       | Condenser                         |
| 14       | 50189C       | Fan Shroud                        |
| 15       | 31490C       | Fan Motor                         |
| 16       | 30664C       | Fan Blade                         |
| 17       | 20282C       | Fan Bracket                       |
| 18       | 70018C       | Fan Blade Nut                     |
| 19       | 66201C       | Drier                             |
| 20       | 35787C       | Compressor Serv. Pak PW4.5HK11    |
| 21       | 31034C       | Overload/Relay Assy               |
| 22*      | 31797C       | Cover - Relay                     |
| 23       | 194243901550 | Electrical Shield                 |
| 24       | 55996C       | Strainer                          |
| 25       | 56092C       | Tubing - Poly (48") Cut to length |
| 26       | 70682C       | Fitting - Tee 1/4                 |
| 27       | 66301C       | Heat Exchanger                    |
| 28       | 66505C       | Evaporator                        |
| 29       | 21591C       | Hot Tank Switch Bracket           |
| 30       | 30010C       | Hot Tank Switch                   |
| 31       | 31405C       | Hot Tank Assy                     |
| 32       | 40582C       | Hot Valve Assy                    |
| 33       | 40597C       | Gooseneck                         |
| 34       | 92712C       | Hot Valve Kit                     |
| 35       | 51543C       | Handle                            |
| 36       | 40596C       | Shroud                            |
| 37       | 70921C       | Mounting Nut                      |
| 38       | 33659000     | Body Gasket                       |
| 39       | 50144C       | Grommet-Compressor                |
| 40       | 70418C       | Washer-Compressor                 |
| 41       | 55832C       | Flow Regulator Assy               |
| 42       | 21239C       | Cabinet-Stainless Steel           |
|          | 28195C       | Cabinet-Platinum Vinyl            |
| 43       | 20460C       | Front Panel-Stainless Steel       |
|          | 27359C       | Front Panel-Platinum Vinyl        |

\*REPLACE WITH SAME COMPRESSOR USED IN ORIGINAL ASSEMBLY. NOTE: All correspondence pertaining to HALSEY TAYLOR water coolers or orders for repair parts MUST include Model No. and Serial No. of cooler, name and part number of replacement part.

[www.DrinkingFountainDoctor.com](http://www.DrinkingFountainDoctor.com)

800-518-5388

**Halsey Taylor**  
 2222 CAMDEN COURT  
 OAK BROOK, IL 60523  
 630.574.3500

PRINTED IN U.S.A.