

Halsey Taylor Owners Manual

USES HFC-134A REFRIGERANT

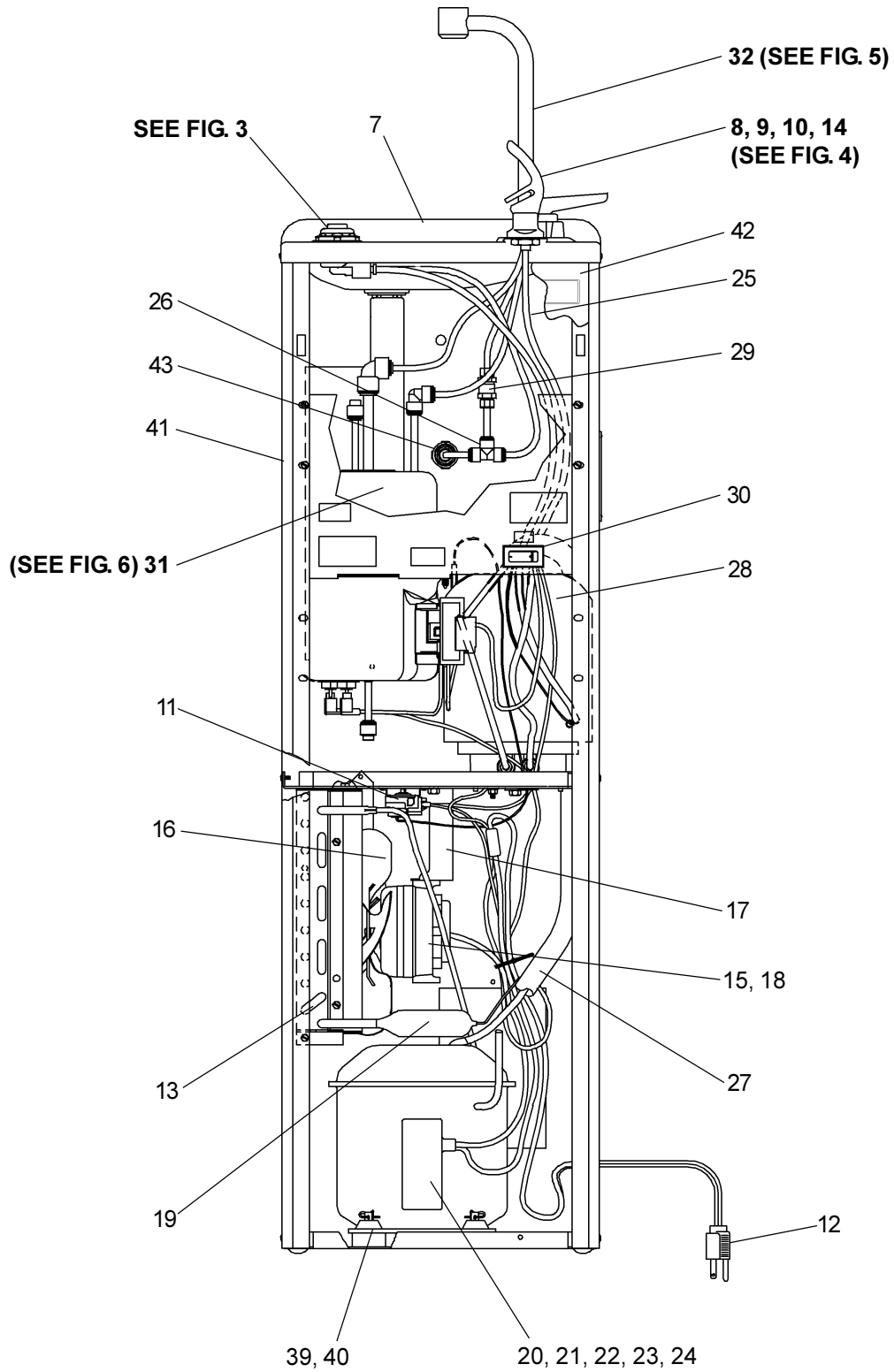


FIG. 1

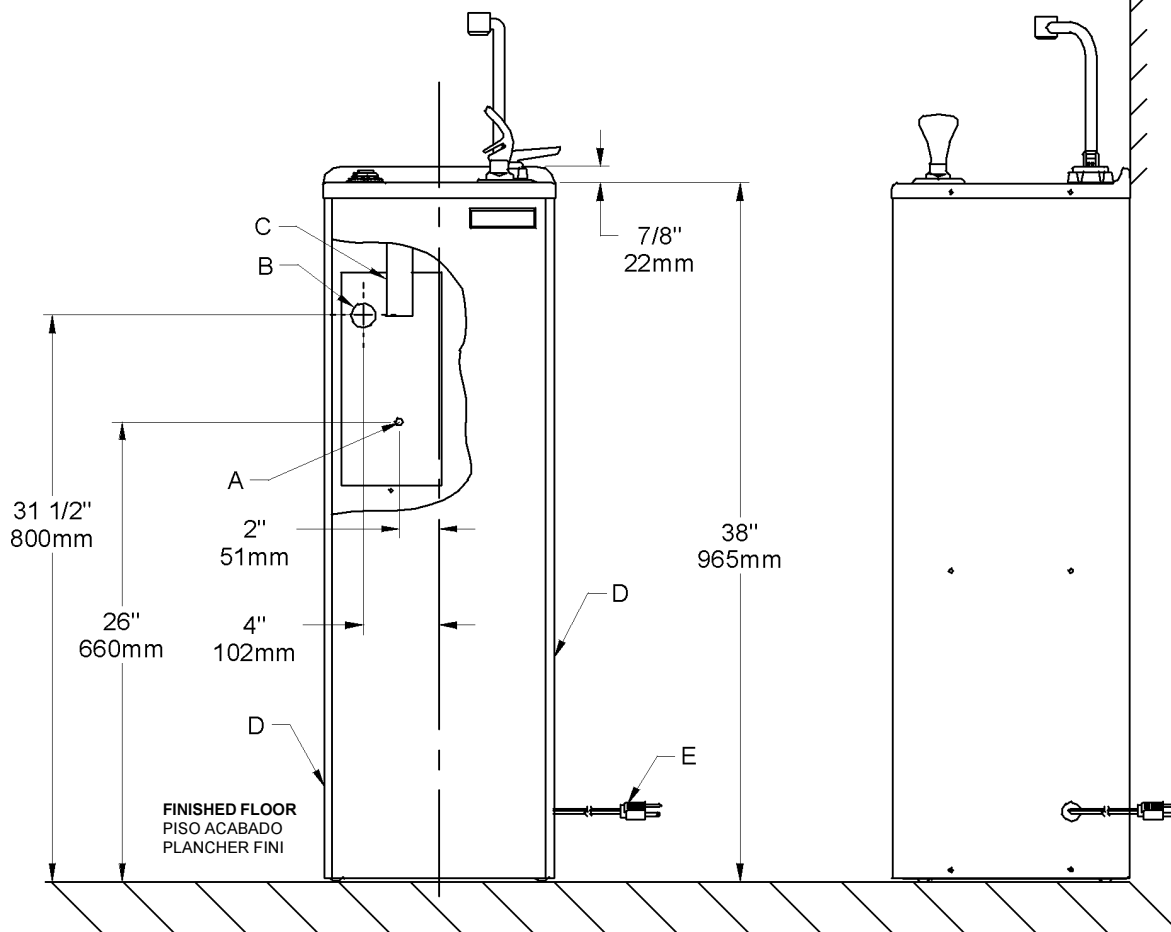
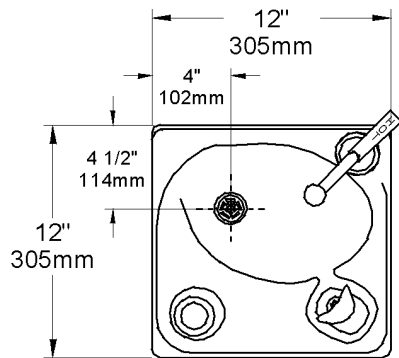


FIG. 2

LEGEND/LEYENDA/LÉGENDE

A = RECOMMENDED WATER SUPPLY LOCATION 3/8 O.D. UNPLATED COPPER TUBE CONNECT STUB 1-1/2" (38mm) OUT FROM WALL SHUT OFF BY OTHERS

SE RECOMIENDA UBICAR EL TUBO DE CONEXIÓN AL TUBO DE COBRE SIN CHAPAR DE 3/8" DE DIAM. EXT. A 1-1/2" (38mm) FUERA DE LA LLAVA DE PASO EN LA PARED COLOCADA POR TERCEROS.

EMPLACEMENT RECOMMANDÉ D'ALIMENTATION EN EAU PAR TUBE EN CUIVRE NON PLAQUÉ DE 3/8 PO. (9,5mm) D.E. CONNECTANT UNE TUYAUTERIE DE 1-1/2 PO. (38mm) DEPUIS LE ROBINET D'ARRET FOURNI PAR D'AUTRES.

B = RECOMMENDED LOCATION FOR WASTE OUTLET 1-1/4" O.D. DRAIN

UBICACIÓN RECOMENDADA PARA EL DRENAJE DE SALIDA DE AGUA, DE 1-1/4" DE DIÁMETRO.

EMPLACEMENT RECOMMANDÉ POUR LE DRAIN DE D.E. 1-1/4" DE SORTIE D'EAU.

C = 1-1/4 TRAP NOT FURNISHED

PURGADOR DE 1-1/4 NO PROPORCIONADO

SIPHON 1-1/4 NON FOURNI

D = INSURE PROPER VENTILATION BY MAINTAINING 4" (102mm) (MIN.) CLEARANCE FROM CABINET LOUVERS TO WALL.

ASEGURE UNA VENTILACIÓN ADECUADA MANTENIENDO UN ESPACIO E 4" (102mm) (MÍN.) DE HOLSURA ENTRE LA REJILLA DE VENTILACIÓN DEL MUEBLE Y LA PARED

ASSUREZ-VOUS UNE BONNE VENTILATION EN GARDANT 4" (102mm) (MÍN.) ENTRE LES ÉVENTS DE L'ENCEINTE ET LE MUR.

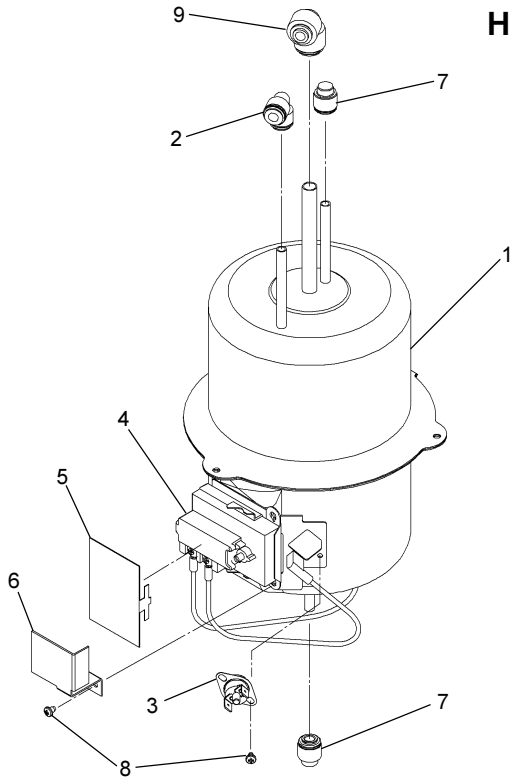
E = POWER CORD 4 FEET (1219mm) LONG

CABLE ELÉCTRICO DE 4 PIE (1219mm), DE LARGO

CORDON D'ALIMENTATION 4' (1219mm)

HOT TANK ASSEMBLY

FIG. 6



HOT TANK PARTS LIST

| ITEM NO. | PART. NO. | DESCRIPTION |
|----------|-----------|------------------------------|
| 1 | A54731 | Hot Tank Weldment Assy. 115V |
| 2 | 70793C | 1/4 Elbow |
| 3 | A54729 | Thermostat |
| 4 | 30511C | Hot Control |
| 5 | 50226C | Hot Control Insulator |
| 6 | 28365C | Thermostat Bracket |
| 7 | 70606C | Drain Plug |
| 8 | 70302C | Screw #6-32 x 3/16" PHTC |
| 9 | 70836C | 3/8 x 1/4 Elbow |
| NS | 28369C | Hot Tank Assy. Mntg. Bracket |

Stream height is factory set at 35 PSI. If supply pressure varies greatly from this, remove Items 1 & 2 and adjust screw on Item 4. Clockwise adjustment will raise stream and counter-clockwise adjustment will lower stream. For best adjustment, stream should hit basin approximately 6-1/2" (165mm) from bubbler.

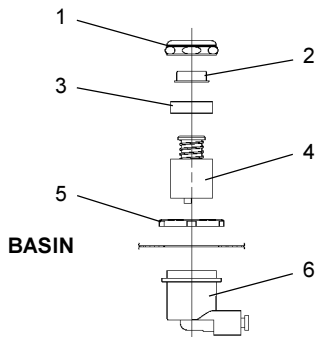


FIG. 3

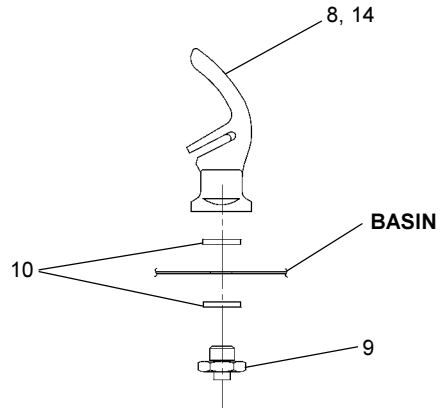


FIG. 4

WIRING DIAGRAM

This Drawing is merely for illustrating the components of the electrical system.

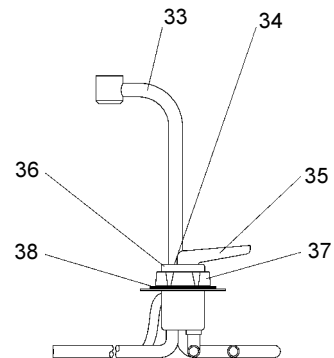
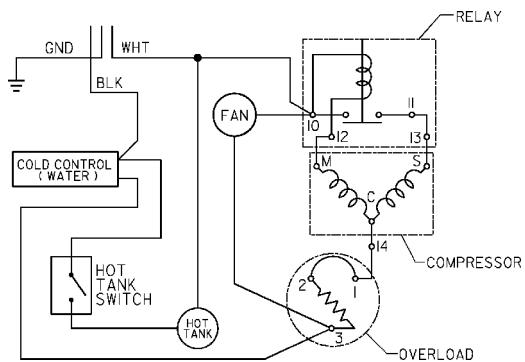


FIG. 5

PARTS LIST 115V

| ITEM NO. | PART NO. | DESCRIPTION |
|----------|--------------|----------------------------------|
| 1 | 40089C | Cover |
| 2 | 40048C | Button |
| 3 | 15005C | Regulator Retaining Nut |
| 4 | 61313C | Regulator |
| 5 | 40169C | Hex Nut |
| 6 | 50986C | Regulator Holder |
| 7 | 28444C | Basin & Drain Assy |
| 8 | 51544C | Bubbler - Chrome |
| 9 | 56159C | Nipple - Bubbler |
| 10 | 100322740560 | Gasket - Bubbler (upper & lower) |
| 11 | 31513C | Cold Control |
| 12 | 36133C | Power Cord |
| 13 | 66303C | Condenser |
| 14 | 60291C | Screen |
| 15 | 31490C | Fan Motor |
| 16 | 30664C | Fan Blade |
| 17 | 20282C | Fan Bracket |
| 18 | 70018C | Fan Blade Nut |
| 19 | 66201C | Drier |
| 20* | 35787C | Compressor Serv. Pak PW4.5HK11 |
| 21 | 36158C | Overload |
| 22 | 35768C | Cover - Relay |
| 23 | 194243901550 | Electrical Shield |
| 24 | 36163C | Relay |
| 25 | 56092C | Tubing - Poly (Cut to Length) |
| 26 | 70682C | Fitting - Tee 1/4 |
| 27 | 66301C | Heat Exchanger |
| 28 | 66505C | Evaporator |
| 29 | 55832C | Flow Regulator Assy. |
| 30 | 36101C | Hot Tank Switch |
| 31 | 36154C | Hot Tank Assy |
| 32 | 45786C | Hot Valve Assy |
| 33 | 40597C | Gooseneck |
| 34 | 92712C | Hot Valve Kit |
| 35 | 51543C | Handle |
| 36 | 40596C | Shroud |
| 37 | 70921C | Mounting Nut |
| 38 | 33659000 | Body Gasket |
| 39 | 50144C | Grommet-Compressor |
| 40 | 70418C | Washer-Compressor |
| 41 | 21239C | Cabinet-Stainless Steel |
| | 28195C | Cabinet-Platinum Vinyl |
| 42 | 20460C | Front Panel-Stainless Steel |
| | 27359C | Front Panel-Platinum Vinyl |
| 43 | 55996C | Strainer |

*REPLACE WITH SAME COMPRESSOR USED IN ORIGINAL ASSEMBLY.

NOTE: All correspondence pertaining to HALSEY TAYLOR water coolers or orders for repair parts MUST include Model No. and Serial No. of cooler, name and part number of replacement part.

www.DrinkingFountainDoctor.com

800-518-5388

Halsey Taylor
 2222 CAMDEN COURT
 OAK BROOK, IL 60523
 630.574.3500

PRINTED IN U.S.A.

97980C (Rev. B - 10/03)

PAGE 4