

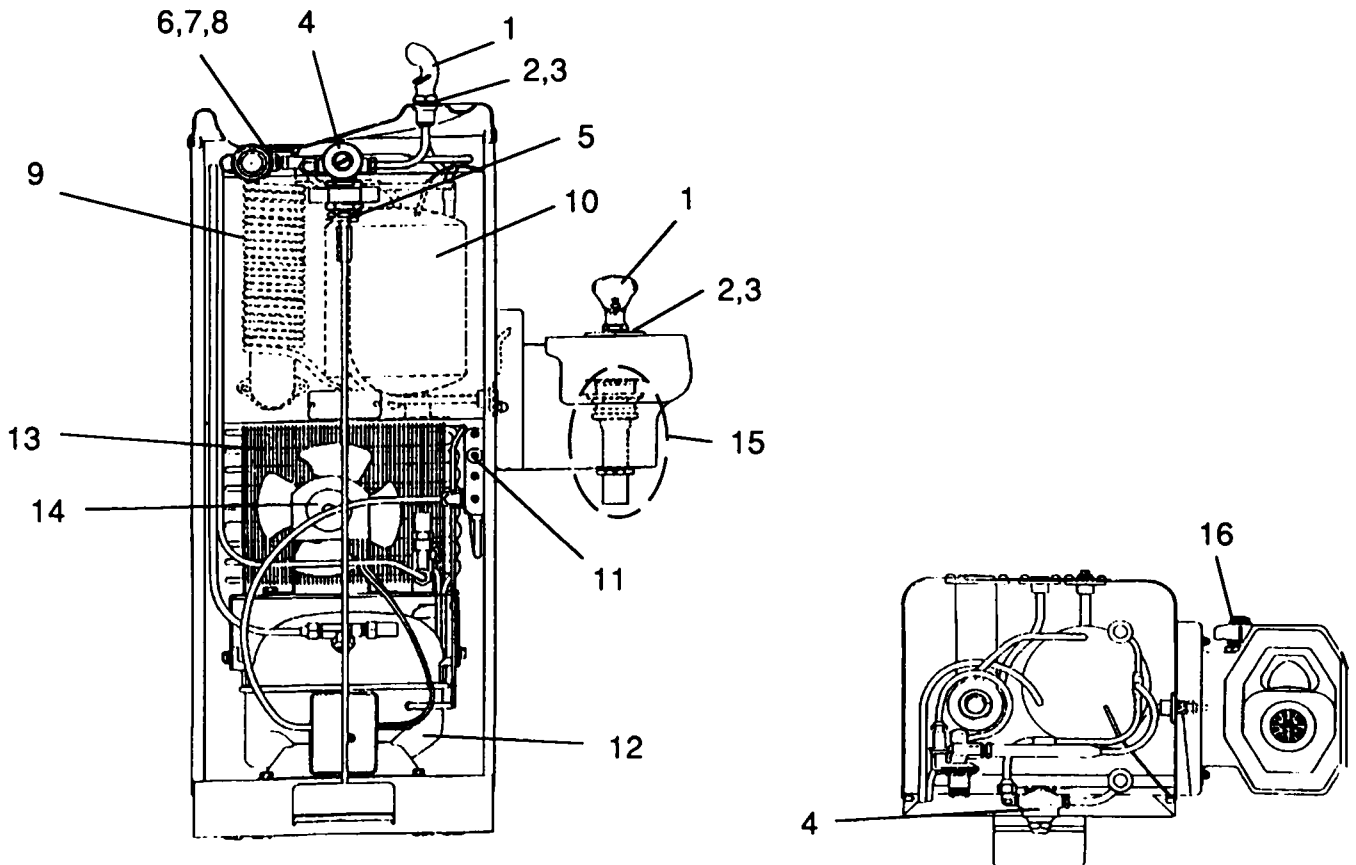
MODELS SC10F and SC11F (Obsolete)

SC10F and SC11F PART LIST

REF NO.	PART NUMBER	DESCRIPTION	SC10F	SC11F	Side Fountain
1	16-03165-08-640	Projector	X	X	X
2	10-03227-40-560	Projector Gasket (2 each)	X	X	X
3	16-06092-08-550	Projector Nipple	X	X	X
4	60-02596-51-550	Regulator*	X	X	
4a	60-08050-51-550	Diaphragm Repair Kit (for item 4)*	X	X	
5	60-08817-51-550	Stem Assembly*	X	X	
6	16-16373-08-640	Drain Plug	X	X	
7	16-02705-08-640	Strainer Plate	X	X	
8	10-01471-40-560	Waste Gasket	X	X	
9	NO LONGER AVAILABLE	Wasteline/Precooler	X	X	
10	NO LONGER AVAILABLE	Lowside	X	X	
11	19-42339-51-550	Primary Temperature Control	X	X	
12	NO LONGER AVAILABLE	Compressor Assembly	X	X	
13	19-03090-51-560	Condenser	X	X	
14	NO LONGER AVAILABLE	Fan Motor Assembly	X	X	
15	60-00379-51-640	Strainer Assembly*	X		X
16	60-02889-51-550	Valve Handle Stem Assembly*	X	X	
16a	60-02596-51-550	Regulator Assembly* (included in item 16)	X	X	
16b	60-01128-51-640	Cross Handle Stem Assembly* (included in item 16)	X	X	
16c	60-08050-51-550	Diaphragm Repair Kit* (for item 16a)	X	X	
16d	60-08250-51-550	Stem Repair Kit* (for item 16b)	X	X	

ALL OTHER PARTS NO LONGER AVAILABLE

XXX Please specify color when ordering. See Color Chart on page I-A for colors available. See Detailed Parts Section for further breakdown.



To order parts, contact your nearest Halsey Taylor wholesaler or representative.

Continued product improvement makes specifications subject to change without notice.

Halsey Taylor.