

# MODEL SC10W, SC14W, SC15W, SC16W and SC21W

## SC10W, SC14W, SC15W, SC16W and SC21W PART LIST

REF NO.	PART NUMBER	DESCRIPTION	SC10W	SC14W	SC15W	SC16W	SC21W
1	16-03165-08-640	Projector	X	X	X	X	X
2	10-03227-40-560	Projector Gasket (2 each)	X	X	X	X	X
3	16-06092-08-550	Projector Nipple	X	X	X	X	X
4	60-02596-51-550	Regulator*	X	X	X	X	X
4a	60-08050-51-550	Diaphragm Repair Kit (for item 4)*	X	X	X	X	X
5	60-08817-51-550	Stem Assembly*	X	X	X	X	X
6	60-06429-51-550	Push Button Assembly*				X	X
7	40-26741-43-730	Lever Arm				X	X
8	16-16373-08-640	Drain Plug	X	X	X		
8	16-26339-08-640	Drain Plug				X	X
9	16-02705-08-640	Strainer Plate	X	X	X	X	X
10	10-01471-40-560	Waste Gasket	X	X	X	X	X
11	60-06884-51-550	Wasteline/Precooler				X	X
11	NO LONGER AVAILABLE	Wasteline/Precooler	X	X	X		
12	NO LONGER AVAILABLE	Lowside	X	X	X	X	X
13	19-42339-51-550	Primary Temperature Control	X	X	X	X	X
14	19-15342-51-550	Secondary Temperature Control				X	X
15	60-08394-51-550	Compressor Assembly				X	
15	NO LONGER AVAILABLE	Compressor Assembly	X	X	X		X
15a	19-07765-51-550	Relay (included in item 15)				X	
15a	NO LONGER AVAILABLE	Relay	X	X	X		X
15b	19-07724-51-550	Overload (included in item 15)				X	
15b	NO LONGER AVAILABLE	Overload	X	X	X		X
16	19-10858-82-560	Capacitor				X	
16	NO LONGER AVAILABLE	Capacitor	X	X	X		X

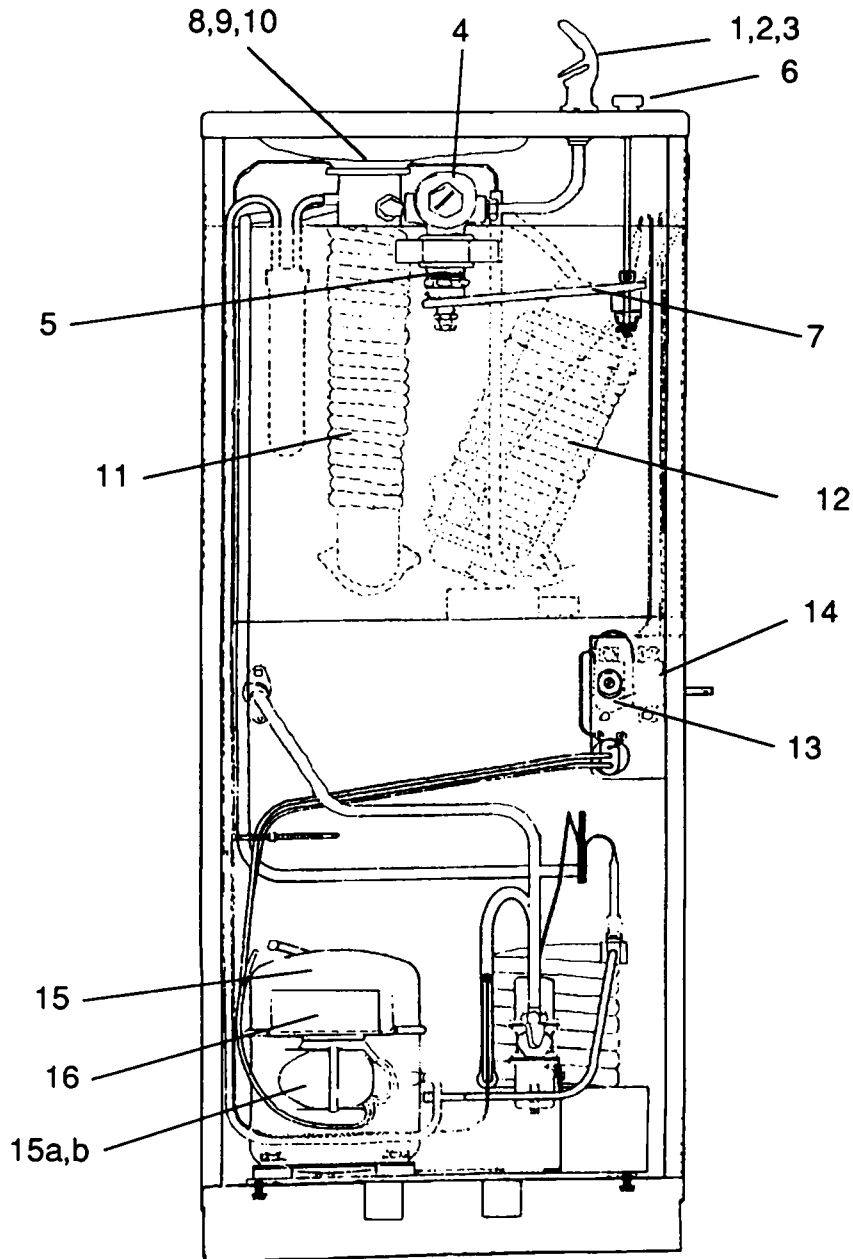
**ALL OTHER PARTS NO LONGER AVAILABLE**

**NOTE: SC10W, SC14W, and SC15W are operated by Foot Pedal instead of Push Button.**

**XXX Please specify color when ordering. See Color Chart on page I-A for colors available.**

**\*See Detailed Parts Section for further breakdown.**

# MODEL SC10W, SC14W, SC15W, SC16W and SC21W



**To order parts, contact your nearest Halsey Taylor wholesaler or representative.**

*Continued product improvement makes specifications subject to change without notice.*

***Halsey Taylor.***