

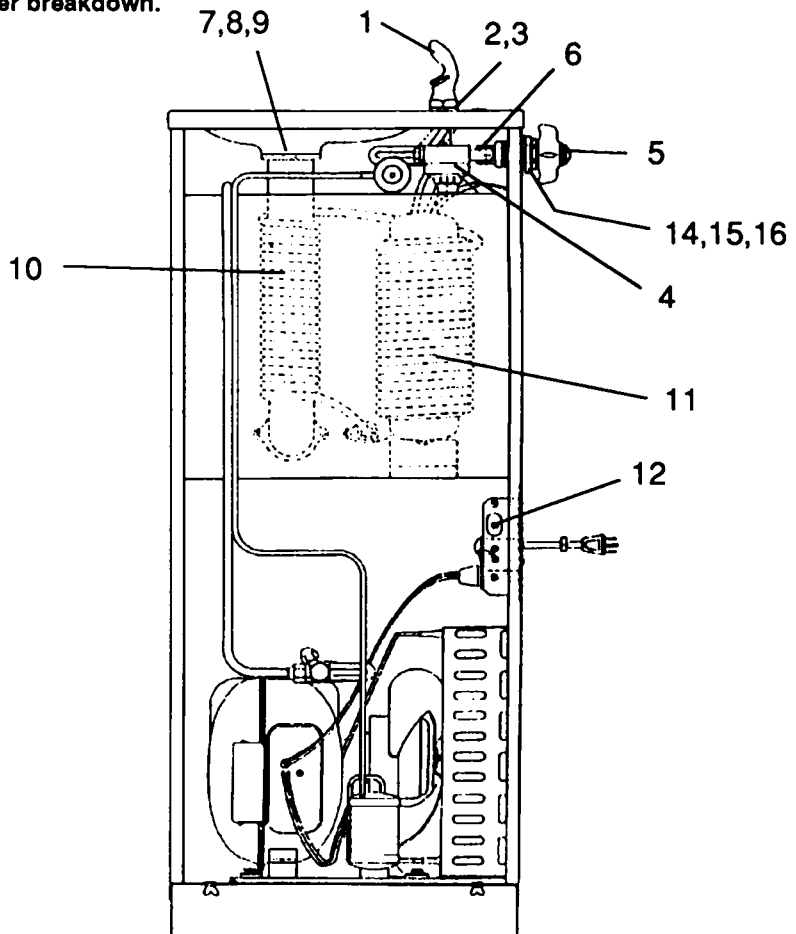
MODELS SC15AD and SC21AD (obsolete)

SC15AD and SC21A PART LIST

REF NO.	PART NUMBER	DESCRIPTION	SC15AD	SC21AD
1	16-03165-08-640	Projector	X	X
2	10-03227-40-560	Projector Gasket (2 each)	X	X
3	16-06092-08-550	Projector Nipple	X	X
4	60-01196-51-550	Regulator*	X	X
4a	60-08050-51-550	Diaphragm Repair Kit (for item 4)*	X	X
5	60-01128-51-550	Cross Handle Stem Assembly*	X	X
5a	60-08250-51-550	Stem Repair Kit*	X	X
6	60-01155-51-550	Valve Body	X	X
7	16-16373-08-640	Drain Plug	X	X
8	16-02705-08-640	Strainer Plate	X	X
9	10-01471-40-560	Waste Gasket	X	X
10	60-06884-51-550	Wasteline/Precooler		X
10	NO LONGER AVAILABLE	Wasteline/Precooler	X	
11	NO LONGER AVAILABLE	Lowside	X	X
12	19-42339-51-550	Primary Temperature Control	X	X
13	16-06090-08-640	Glass Filler Plug Button (not shown)	X	X
14	41-15642-08-640	Lock Nut	X	X
15	10-01158-24-740	Gasket	X	X
16	10-00233-40-560	Gasket	X	X

ALL OTHER PARTS NO LONGER AVAILABLE

XXX Please specify color when ordering. See Color Chart on page I-A for colors available.
 *See Detailed Parts Section for further breakdown.



To order parts, contact your nearest Halsey Taylor wholesaler or representative.

Continued product improvement makes specifications subject to change without notice.

Halsey Taylor,