

MODEL SC8A, SC10A, SC11A, SC14A, SC16A, SC20A , SC21A (obsolete)

SC8A, SC10A, SC11A, SC14A, SC16A, SC20A and SC21A PART LIST

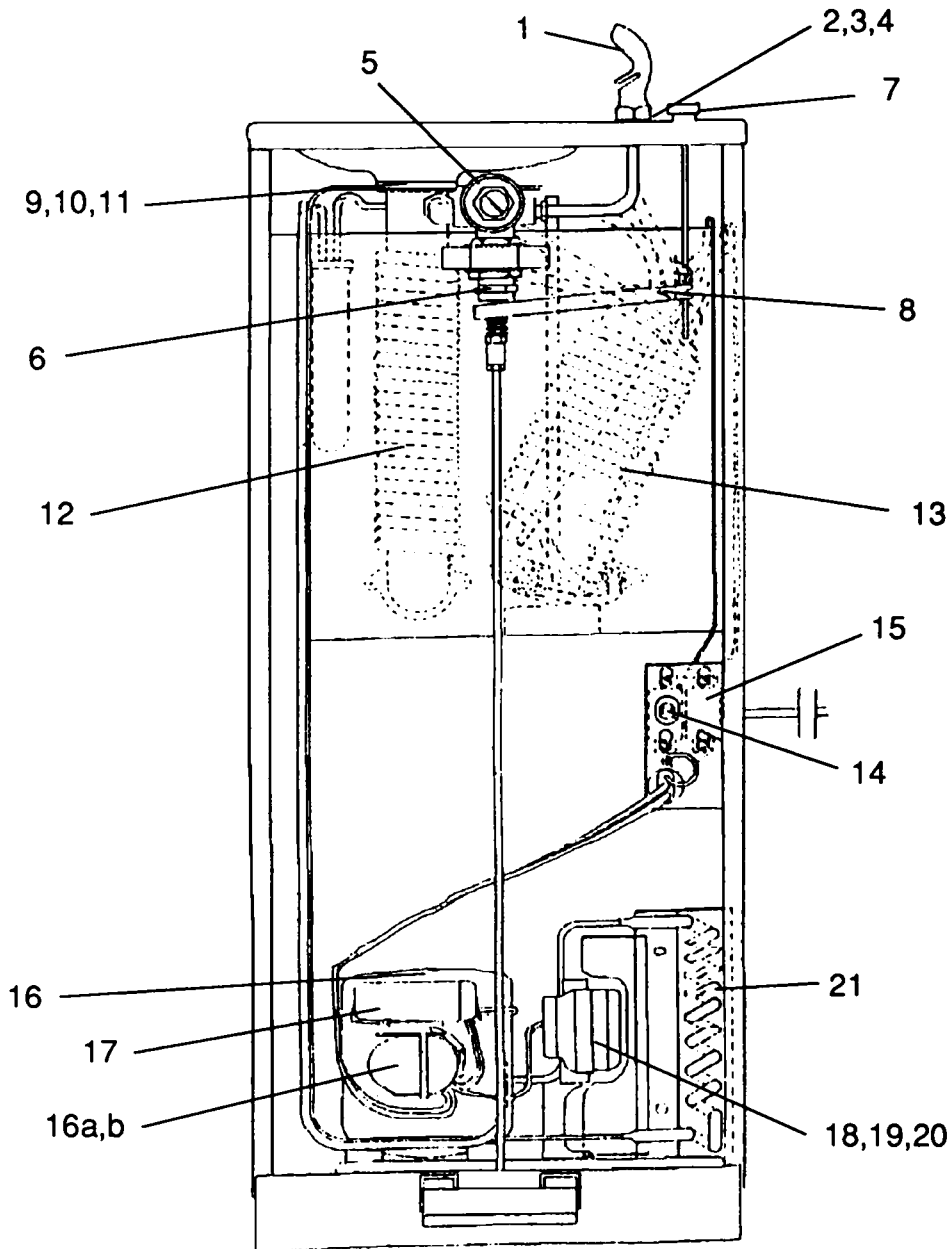
REF NO.	PART NUMBER	DESCRIPTION	SC8A	SC10A	SC11A	SC14A	SC16A	SC20A	SC21A
1	16-03165-08-640	Projector	X	X	X	X	X	X	X
2	10-03227-40-560	Projector Gasket (2 each)	X	X	X	X	X	X	X
3	16-06092-08-550	Projector Nipple	X	X	X	X	X	X	X
4	10-10474-42-550	Stream Breaker	X	X	X	X	X	X	X
5	60-02596-51-550	Regulator*	X	X	X	X	X	X	X
5a	60-08050-51-550	Diaphragm Repair Kit (for item 5)*	X	X	X	X	X	X	X
6	60-08817-51-550	Stem Assembly*	X	X	X	X	X	X	X
7	60-06429-51-550	Push Button Assembly*	X	X	X	X	X	X	X
8	40-26741-43-730	Lever Arm	X	X	X	X	X	X	X
9	16-16373-08-640	Drain Plug	X	X	X				
9	10-26339-08-640	Drain Plug				X	X	X	X
10	16-02705-08-640	Strainer Plate	X	X	X	X	X	X	X
11	10-01471-40-560	Waste Gasket	X	X	X	X	X	X	X
12	NO LONGER AVAILABLE	Wasteline/Precooler	X	X	X	X	X	X	X
13	NO LONGER AVAILABLE	Lowside	X	X	X	X	X	X	X
14	19-42339-51-550	Primary Temperature Control	X	X	X	X	X	X	X
15	19-15342-51-550	Secondary Temperature Control	X	X	X		X	X	X
16	60-15573-51-550	Compressor Assembly	X						
16	60-08394-51-550	Compressor Assembly				X			
16	60-07907-51-550	Compressor Assembly					X		
16	NO LONGER AVAILABLE	Compressor Assembly		X	X			X	X
16a	19-14062-51-550	Relay	X						
16a	19-07765-51-550	Relay				X	X		
16a	19-08413-51-550	Relay						X	X
16a	NO LONGER AVAILABLE	Relay		X	X				
16b	19-14061-51-550	Overload	X						
16b	19-07724-51-550	Overload				X	X		
16b	19-08412-51-550	Overload						X	X
16b	NO LONGER AVAILABLE	Overload		X	X				
17	19-10858-82-560	Capacitor	X						
17	19-10864-82-560	Capacitor				X	X		
17	19-10866-82-560	Capacitor						X	X
18	60-10019-51-550	Fan Motor Assembly	X				X		
18	NO LONGER AVAILABLE	Fan Motor Assembly		X	X	X		X	X
19	19-08417-04-550	Fan Blade (included in item 18)	X			X	X		
19	19-06487-04-550	Fan Blade		X	X				
19	19-06285-04-550	Fan Blade						X	X
20	10-06724-43-560	Fan Bracket (included in item 18)	X			X	X	X	X
20	41-06286-51-730	Fan Bracket		X	X				
21	19-03090-51-560	Condenser		X	X				
21	19-08555-51-560	Condenser						X	X
21	NO LONGER AVAILABLE	Condenser	X				X		
22	16-06876-08-640	Glass Filler Plug Button (not shown)	X				X	X	
22	16-06090-08-640	Glass Filler Plug Button (not shown)		X	X	X			X

ALL OTHER PARTS NO LONGER AVAILABLE

XXX Please specify color when ordering. See Color Chart on page I-A for colors available.

*See Detailed Parts Section for further breakdown.

MODEL SC8A, SC10A, SC11A, SC14A, SC16A, SC20A , SC21A



To order parts, contact your nearest Halsey Taylor wholesaler or representative.

Continued product improvement makes specifications subject to change without notice.

Halsey Taylor.