

MODEL SCWT14W

SCWT14W PART LIST

REF NO.	PART NUMBER	DESCRIPTION
1	10-14228-31-640	Projector
2	10-03227-40-560	Projector Gasket (2 each)
3	10-14224-31-550	Projector Nipple
4	60-14800-51-550	Regulator Assembly*
4a	60-14549-51-550	Valve Assembly*
4b	60-08050-51-550	Regulator Repair Kit (for item 4)*
4c	60-14202-51-550	Stem Assembly (included in item 4a)*
5	60-14511-51-550	Push Button Assembly*
6	10-14523-31-870	Stem Bushing
7	40-26741-43-730	Lever Arm
8	10-26399-31-640	Drain Plug
9	16-02705-08-640	Strainer Plate
10	10-01471-40-560	Waste Gasket
11	60-26653-51-550	Precooler Assembly
12	60-26739-51-550	Condenser Waste Line
13	60-15038-51-550	Evaporator Chiller
14	19-42339-51-550	Temperature Control
15	60-15573-51-550	Compressor
15a	19-14062-51-550	Relay (included in 15)
15b	19-14061-51-550	Overload (included in 15)
16	60-14181-51-550	Water Cooled Condenser
17	60-26556-51-550	Condenser Water Valve
18	19-26684-51-550	Wiring Assembly
19	10-14514-31-550	Precooler Baffle
20	10-10800-51-010	Drier
21	10-14050-31-550	Valve Bracket
22	17-14037-42-590	Receptor
23	11-26275-43-890	Receptor Screws (4 each)
24	10-06876-08-640	Glass Filler Plug Button (not shown)
25	40-15074-43-XXX	Front Panel (not shown)
26	40-15362-43-XXX	Right Side Panel (not shown)
27	40-15363-43-XXX	Left Side Panel (not shown)
28	11-10083-43-890	Panel Screws (28 each)
29	13-14845-31-560	Black Trim Panel (not shown)
30	13-14905-31-920	Name Plate (not shown)
31	10-14043-31-560	Black Toe Plate (not shown)
32	11-15078-43-560	Toe Plate Screws (2 each)
33	40-26729-43-730	Back Panel
34	40-15397-43-730	Chiller Shelf
35	40-15076-43-730	Base
36	29-14568-16-550	Capillary Tube

ACCESSORIES AVAILABLE

Glass Filler – See Spec Book
 Glass Filler Installation Kit – 73-15238-51-550
 Sump Pump Kit – 73-15213-51-550
 Vandal Proof Kit – 73-15243-51-550*
 Foot Pedal Kit – 73-14703-51-550*

XXX Please specify color when ordering. See Color Chart on page I-A for colors available.

*See Detailed Parts Section for further breakdown.

MODELS SCWT14W

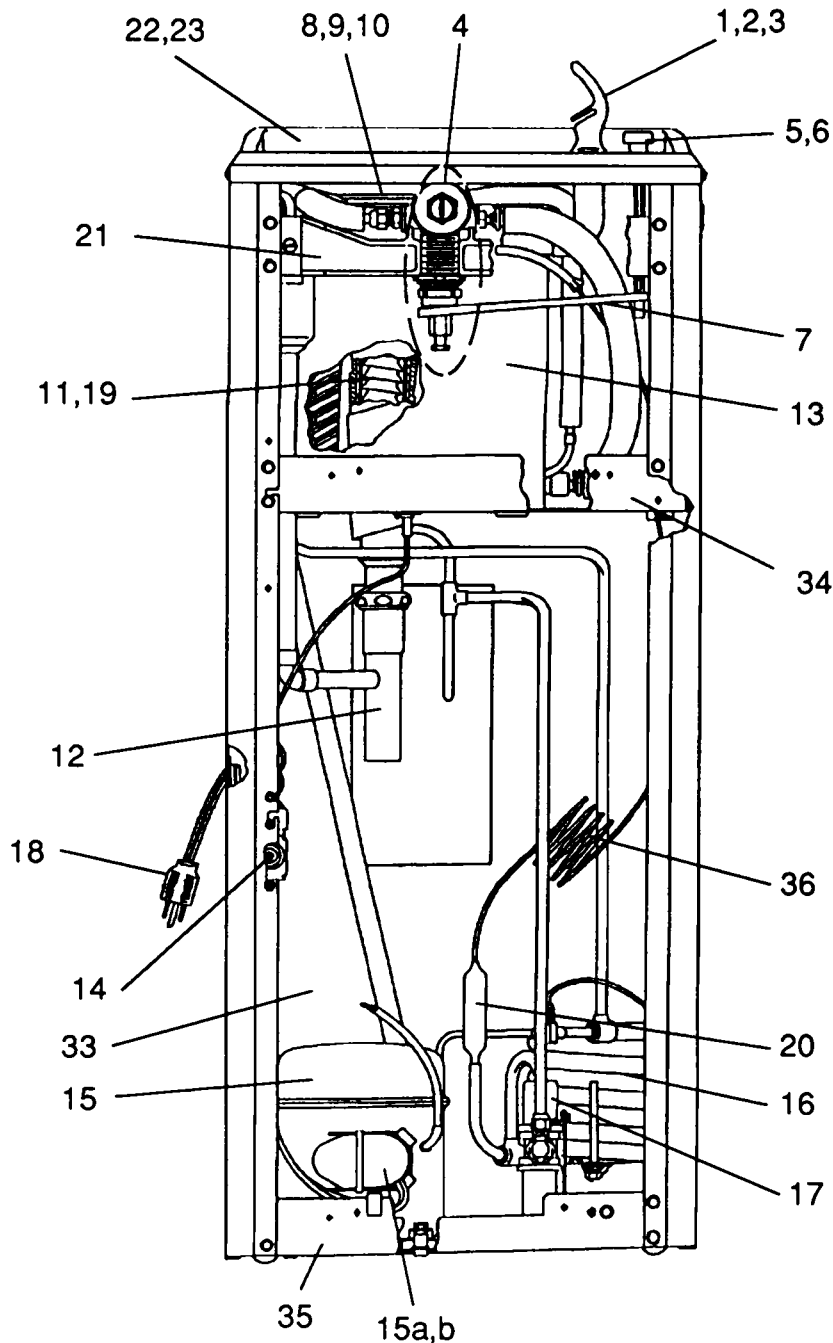
MODEL#	MFG DATE S/N ENDING	COLD WATER CAP*	COMP HP	VOLTAGE ± 10	PH	HZ	TOTAL AMPS	R-12 REFRIG CHARGE*	WATER INLET PSIG
SCWT14W	Current	14GPH	1/5	115	1	60	4.9	7.0 oz	20-90

HEIGHT: 40"

WIDTH: 16"

DEPTH: 13¼"

*ARI Ratings: capacity at GPH cooled to 50° with 90°F ambient temperature and 80°F inlet water.



To order parts, contact your nearest Halsey Taylor wholesaler or representative.

Continued product improvement makes specifications subject to change without notice.

Halsey Taylor.