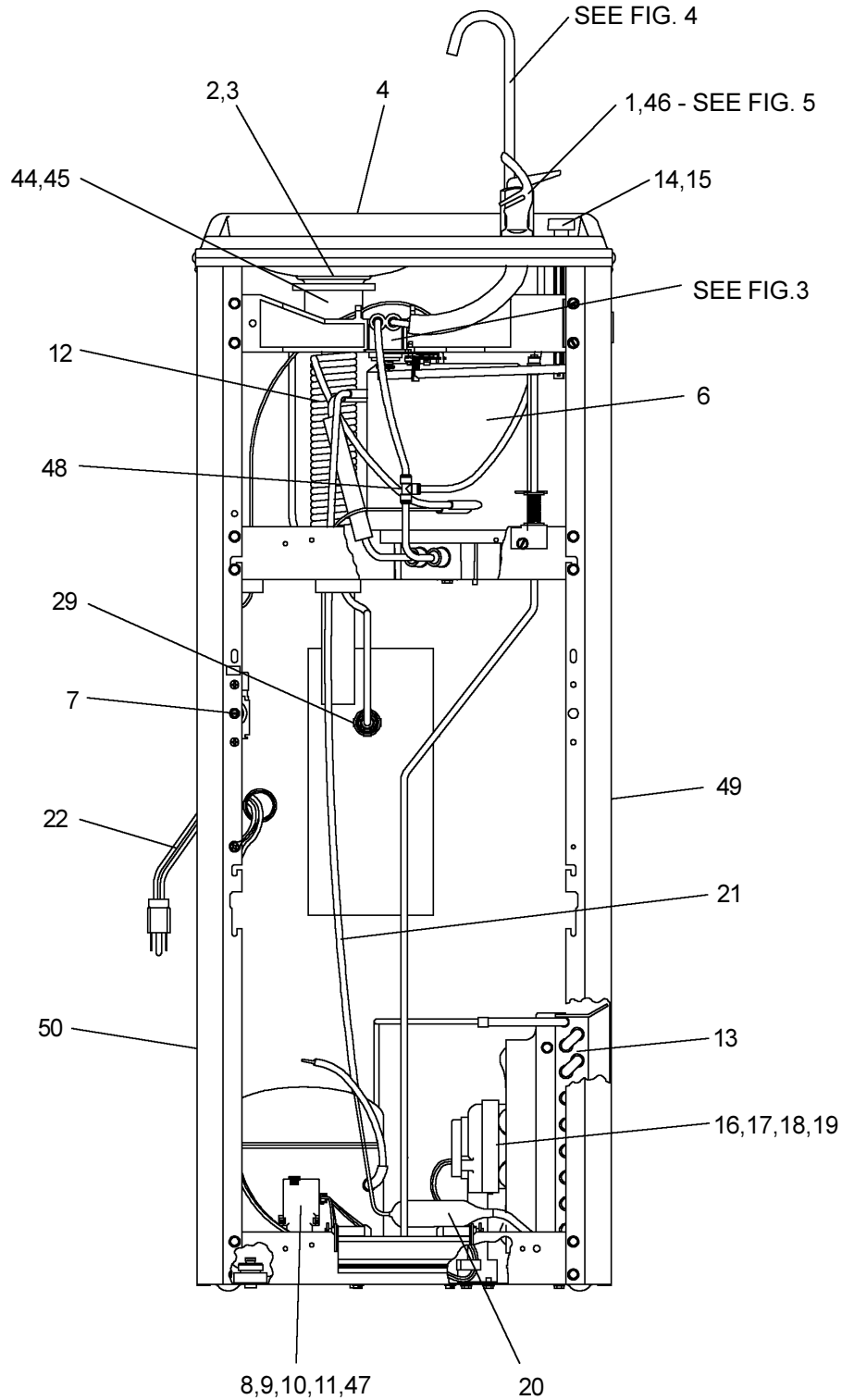


# HALSEY TAYLOR OWNERS MANUAL

USES HFC-134A REFRIGERANT

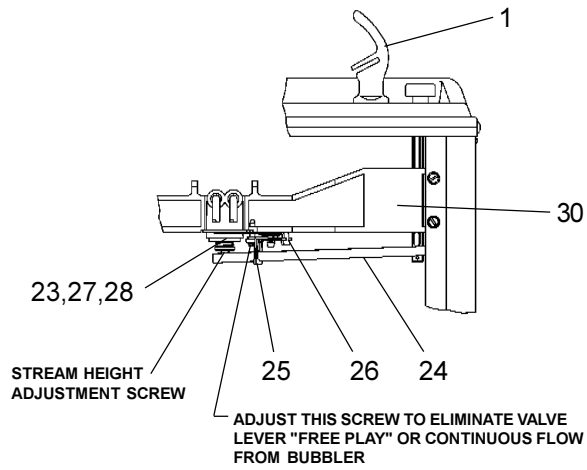


SCWT8A-FPGF-Q\*1F

FIG. 1

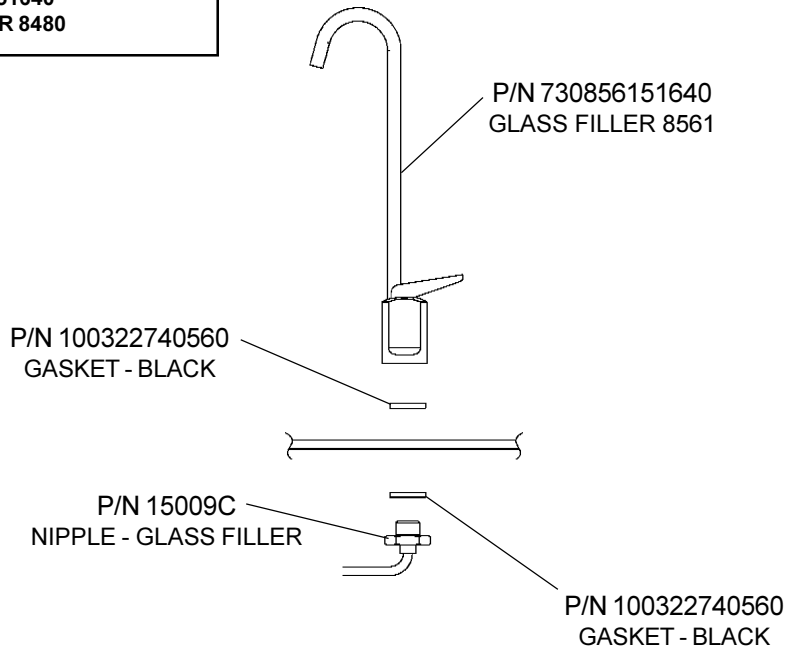


**PUSH BUTTON VALVE ADJUSTMENT**

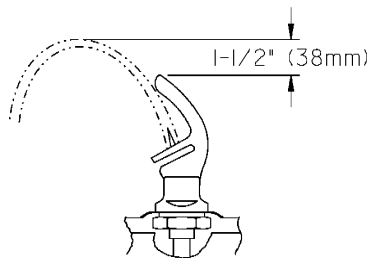


**FIG. 3**

OPTIONAL PLATFORM GLASS FILLER  
(NOT SHOWN)  
P/N 730848051640  
GLASS FILLER 8480



**FIG. 4**



**CORRECT STREAM HEIGHT**

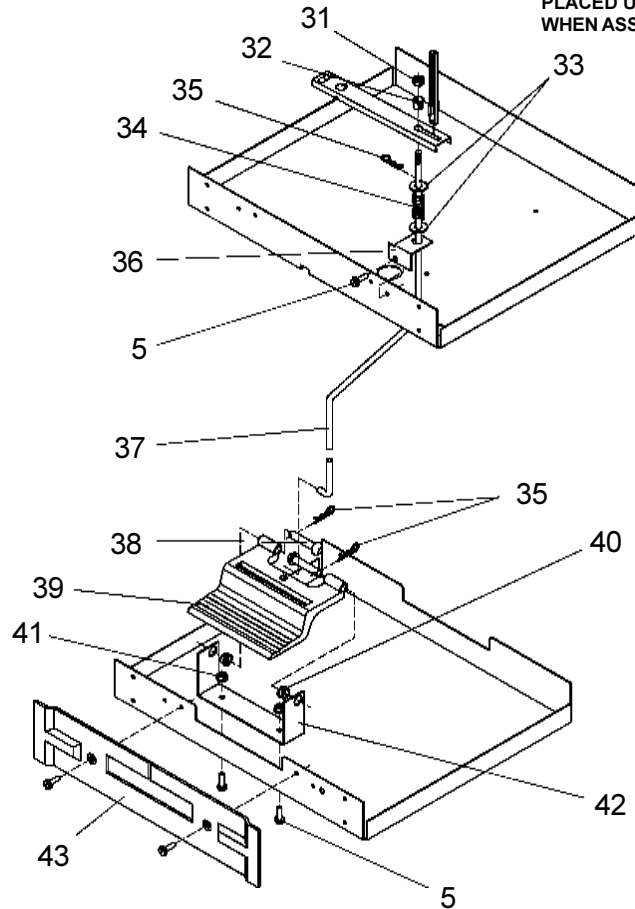
**FIG. 5**

SCWT4A-FP-Q/GF-Q\*1F SCWT8A-FPGF-Q/GF-Q\*1F SCWT14A-FP-Q/GF-Q\*1F SCWT20A-GF-Q\*1B

ITEMIZED PARTS LIST

ITEM NO.	PART NO.	DESCRIPTION
1	51544C	Bubbler
2	102639931640	Drain Plug
3	160270508640	Strainer Plate
4	171403742590	Basin
5	111008343890	Screw #10-24 x 5/8" HHMS
6	66504C	Evaporator (4 GPH)
	66505C	Evaporator (8 GPH)
	66506C	Evaporator (14 & 20 GPH)
7	31513C	Cold Control
8*	35787C	Compressor Serv. Pak (4 & 8 GPH)
	35762C	Compressor Serv. Pak (14 GPH)
	35775C	Compressor Serv. Pak (20 GPH)
9	31034C	Overload/Relay Assy (4 & 8 GPH)
	31027C	Overload/Relay Assy (14 GPH)
	35840C	Overload (20 GPH)
	35843C	Relay (20 GPH)
10	194243901550	Electrical Shield
11	35766C	Relay Cover (4, 8 & 14 GPH)
	35768C	Relay Cover (20 GPH)
12	45679C	Tailpipe (4 GPH)
	45678C	Precooler (8, 14 & 20 GPH)
13	66251C	Condenser (4 & 8 GPH)
	66252C	Condenser (14 GPH)
	66253C	Condenser (20 GPH)
14	101453431640	Cap Push Button
15	101507531550	Push Button Stem
16	31490C	Fan Motor (4, 8, & 14 GPH)
	31492C	Fan Motor (20 GPH)
17	104209543730	Fan Blade (4, 8, & 14 GPH)
	30699C	Fan Blade (20 GPH)
18	70018C	Fan Blade Nut
19	402672043730	Fan Motor Bracket
20	66201C	Drier (4 & 8 GPH)
	66202C	Drier (14 GPH)
	66203C	Drier (20 GPH)
21	66255C	Heat Exchanger (4 & 8 GPH)
	66229C	Heat Exchanger (14 GPH)
	66257C	Heat Exchanger (20 GPH)
22	192668451550	Power Cord (4, 8, & 14 GPH)
	35887C	Power Cord (20 GPH)
23	15005C	Regulator Retaining Nut
24	26860C	Regulator Lever
25	26861C	Pivot Bracket
26	26862C	Regulator Retaining Bracket
27	50986C	Regulator Holder
28	61314C	Regulator
29	55996C	Strainer
30	55880C	Regulator Mounting Bracket
31	111051043550	Nylok Nut 1/4-20
32	50770C	Snap Bushing
33	110077043890	Washer
34	101418251550	Compression Spring
35	70184C	Cotter Pin
36	401507143730	Alignment Bracket
37	101473543730	Foot Pedal Pull Rod
38	110208243890	Foot Lever Pin
39	100631242700	Foot Pedal
40	101482131870	Snap Bushing
41	1110884	Hex Nut
42	401507243730	Base Mounting Bracket
43	401506931560	Toe Plate
44	55885C	Nut 1-1/4 Slip Nut
45	55913C	Adaptor - Drain
46	15008C	Nipple - Bubbler
47	35844C	Capacitor (20 GPH)
48	70682C	Tee - 1/4
49	See Color Table	Side Panel - Right
50	See Color Table	Side Panel - Left
NS	See Color Table	Front Panel

NOTE: TOP WASHER IS TO BE PLACED UNDER COTTER PIN WHEN ASSEMBLED



\*INCLUDES RELAY & OVERLOAD. IF UNDER WARRANTY, REPLACE WITH SAME COMPRESSOR USED IN ORIGINAL ASSEMBLY.

NOTE: All correspondence pertaining to any of the above water coolers or orders for repair parts MUST include Model No. and Serial No. of cooler, name and part number of replacement part.

COLOR	RIGHT PANEL	LEFT PANEL	FRONT PANEL
Platinum (PV)	401536248410	401536348410	401507448410
Almond (AV)	26912C	26908C	26904C
Slate (SV)	401536248440	401536348440	401507448440
Stnlss Stl (SS)	401536242830	401536342830	401507442830

**Halsey Taylor**  
 2222 CAMDEN COURT  
 OAK BROOK, IL 60523

www.DrinkingFountainDoctor.com

800-518-5388

PRINTED IN U.S.A.  
 IMPRESO EN LOS E.E.U.U.  
 IMPRIME AUX E.-U.