

# MODEL SJ 8711 Remote Chiller

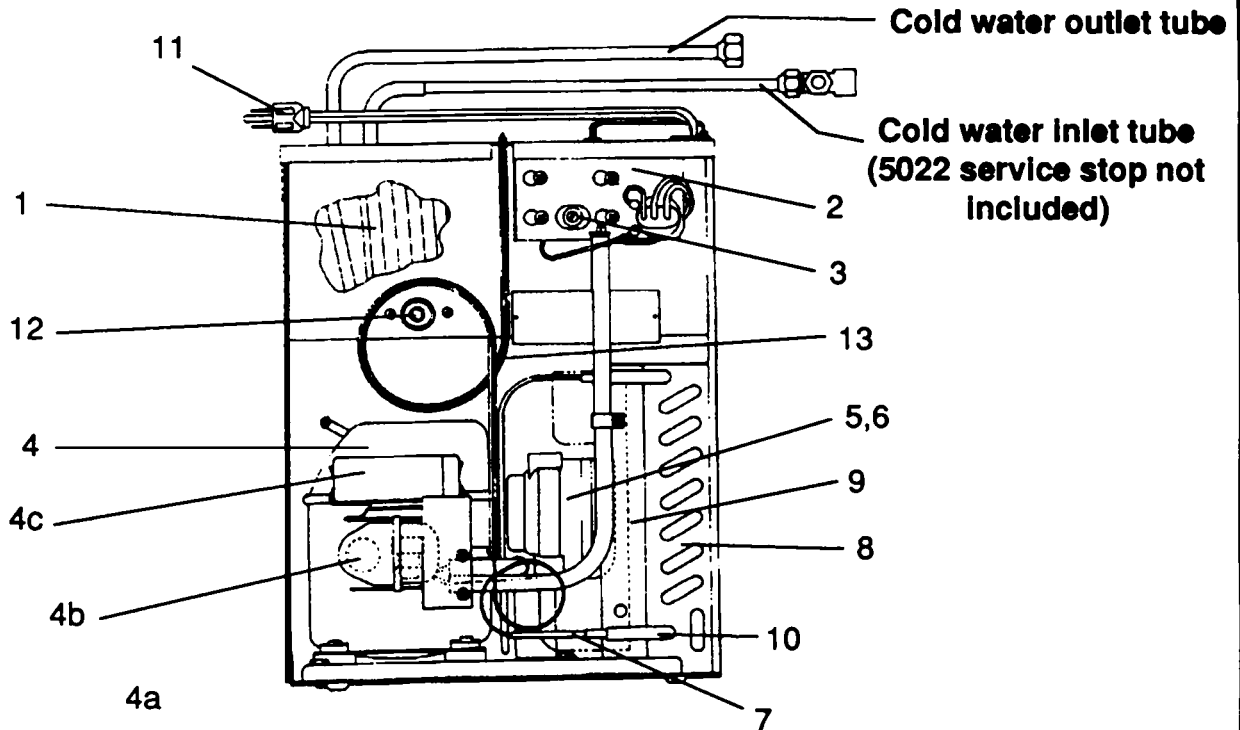
MODEL#	MFG DATE S/N ENDING	COLD WATER CAP*	COMP HP	VOLTAGE ± 10	PH	HZ	TOTAL AMPS	R-12 REFRIG CHARGE*	WATER INLET PSIG
SJ 8711	Obsolete	8GPH	1/5	115	1	60	5.4	6.5	20-90

HEIGHT: 32"

WIDTH: 18 3/4"

DEPTH: 13"

\*ARI Ratings: capacity at GPH cooled to 50° with 90°F ambient temperature and 80°F inlet water.



## SJ 8711 Remote Chiller PART LIST

REF NO.	PART NUMBER	DESCRIPTION
1	60-08659-51-550	Storage Tank
2	19-42339-51-550	Primary Temperature Control
3	19-15342-51-550	Secondary Temperature Control
4	60-08394-51-550	Compressor Assembly
4a	19-07765-51-550	Relay (included in item 4)
4b	19-07724-51-550	Overload (included in item 4)
4c	19-10858-51-550	Capacitor (included in item 4)
5	19-15380-51-550	Fan Motor
6	10-42343-43-730	Fan Blade
7	41-06286-51-730	Fan Bracket
8	19-15098-51-550	Condenser
9	10-15097-09-560	Shroud
10	10-10800-51-010	Drier
11	60-26462-51-550	Wiring Assembly
12	16-01453-31-550	Tank Plug
13	60-15280-51-550	Capillary Heat Exchanger

XXX Please specify color when ordering. See Color Chart on page I-A for colors available.

\*See Detailed Parts Section for further breakdown.

**To order parts, contact your nearest Halsey Taylor wholesaler or representative.**

*Continued product improvement makes specifications subject to change without notice.*

**Halsey Taylor.**