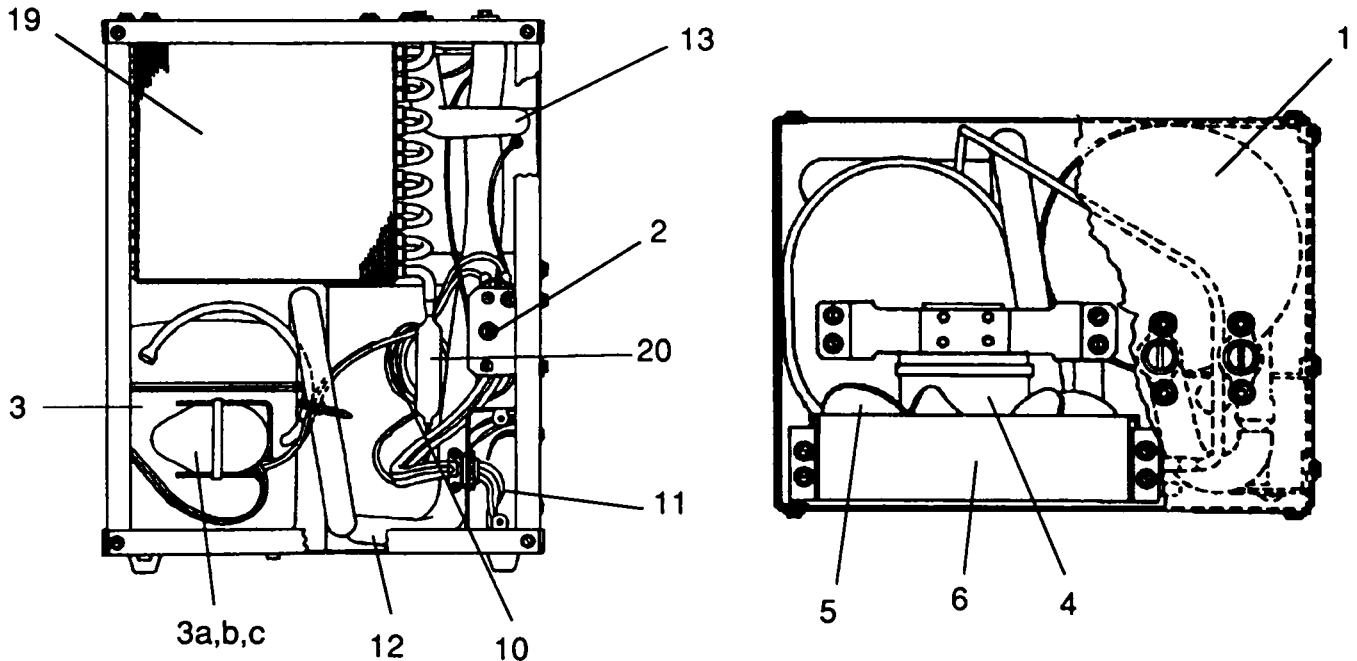


# MODELS SJ 8A Remote Chiller and SJ 8A Remote Chiller w/ Power Cord

MODEL#	MFG DATE S/N ENDING	COLD WATER CAP*	COMP HP	VOLTAGE ± 10	PH	HZ	TOTAL AMPS	R-12 REFRIG CHARGE*	WATER INLET PSIG
SJ 8A	Current	8GPH	1/4	115	1	60	5.6	5.5	20-90
SJ 8A w/cord	Current	8GPH	1/4	115	1	60	5.6	5.5	20-90
HEIGHT: 17 1/4"			WIDTH: 13 1/2"			DEPTH: 10 1/4"			
*ARI Ratings: capacity at GPH cooled to 50° with 90°F ambient temperature and 80°F inlet water.									



## SJ8A and SJ8A w/cord PART LIST

REF NO.	PART NUMBER	DESCRIPTION		
			SJ8A	SJ8A w/cord
1	60-15519-51-550	Evaporator/Chiller	X	X
2	19-42339-51-550	Primary Temperature Control	X	X
3	60-15573-51-550	Compressor Assembly	X	
3	60-26793-51-550	Compressor Assembly		X
3a	19-14062-51-550	Relay (included in item 3)	X	
3b	19-14061-51-550	Overload (included in item 3)	X	
3c	19-26926-82-550	Relay/Overload (included in item 3)		X
4	19-15509-51-550	Fan Motor	X	X
5	10-15988-43-730	Fan Blade	X	X
6	10-15989-09-550	Fan Shroud	X	X
7	40-15510-43-730	Fan Bracket (not shown)	X	X
8	19-15514-51-550	Condenser	X	X
9	10-10800-51-550	Drier	X	X
10	29-15398-51-550	Capillary Tube	X	X
11	19-26677-51-550	Wiring Assembly	X	
11	19-27108-51-550	Wiring Assembly		X
12	60-15508-51-550	Water Inlet	X	X
13	60-15506-51-550	Water Outlet	X	X

XXX Please specify color when ordering. See Color Chart on page I-A for colors available.

\*See Detailed Parts Section for further breakdown.

To order parts, contact your nearest Halsey Taylor wholesaler or representative.

Continued product improvement makes specifications subject to change without notice.

**Halsey Taylor.**