

# MODELS SW4A-3, SW8A-3 and SW14A-3

## SW4A-3, SW8A-3 and SW14A-3 PART LIST

| REF NO. | PART NUMBER     | DESCRIPTION                              | SW4A-3 | SW8A-3 | SW14A-3 | SW L/Refrig |
|---------|-----------------|--|--------|--------|---------|-------------|
| 1       | 10-14228-31-640 | Projector                                | X      | X      | X       | X           |
| 2       | 10-03227-40-560 | Projector Gasket (2 each)                | X      | X      | X       | X           |
| 3       | 16-42252-16-550 | Projector Nipple (included in 5)         | X      | X      | X       | X           |
| 4       | 60-26229-51-550 | Regulator Assembly*                      | X      | X      | X       | X           |
| 4a      | 60-08050-51-550 | Regulator Repair Kit (for item 4)*       | X      | X      | X       | X           |
| 4b      | 60-14202-51-550 | Stem Assembly (included in item 4)*      | X      | X      | X       | X           |
| 5       | 60-26390-51-550 | Projector Supply Line                    | X      | X      | X       |             |
| 5       | 60-26391-51-550 | Projector Supply Line                    |        |        |         | X           |
| 6       | 60-15889-51-550 | Valve to Chiller Supply Line             | X      | X      | X       |             |
| 6       | 40-15452-16-550 | Supply Line                              |        |        |         | X           |
| 7       | 10-14532-31-550 | Regulator Bracket                        | X      | X      | X       | X           |
| 8       | 60-14511-51-590 | Push Button Assembly*                    | X      | X      | X       | X           |
| 9       | 10-14523-31-870 | Bushing                                  | X      | X      | X       | X           |
| 10      | 40-26741-43-730 | Lever Arm                                | X      | X      | X       | X           |
| 11      | 10-06876-08-XXX | Glass Filler Plug Button                 | X      | X      | X       | X           |
| 12      | 10-26399-08-XXX | Drain Plug (included in 15A)             | X      | X      | X       | X           |
| 13      | 16-02705-08-XXX | Strainer Plate (included in 15A)         | X      | X      | X       | X           |
| 14      | 10-01471-40-560 | Waste Gasket                             | X      | X      | X       | X           |
| 15A     | 60-27032-51-550 | Precooler Assembly (includes 12, 13)     |        | X      | X       |             |
| 15B     | 60-27029-51-550 | Drain Tube Assembly                      | X      |        |         |             |
| 15C     | 60-27402-51-550 | Drain Tube                               |        |        |         | X           |
| 16      | 10-14514-31-550 | Precooler Baffle                         |        | X      | X       |             |
| 17      | 60-15488-51-550 | Evaporator Chiller                       | X      |        |         |             |
| 17      | 60-15489-51-550 | Evaporator Chiller                       |        | X      |         |             |
| 17      | 60-15528-51-550 | Evaporator Chiller                       |        |        | X       |             |
| 18      | 19-42339-51-550 | Temperature Control                      | X      | X      | X       |             |
| 19      | 60-26795-51-550 | Compressor                               | X      |        |         |             |
| 19      | 60-26797-51-550 | Compressor                               |        | X      |         |             |
| 19      | 60-26793-51-550 | Compressor                               |        |        | X       |             |
| 19a     | 19-26928-82-550 | Overload/Relay Assembly (included in 19) | X      |        |         |             |
| 19a     | 19-26922-82-550 | Overload/Relay Assembly (included in 19) |        | X      |         |             |
| 19a     | 19-26926-82-550 | Overload/Relay Assembly (included in 19) |        |        | X       |             |
| 20      | 10-10800-51-010 | Drier                                    | X      | X      | X       |             |
| 21      | 19-14761-51-550 | Fan Motor                                | X      | X      | X       |             |
| 22      | SEE FAN NOTE**  | Fan Blade**                              | X      | X      | X       |             |
| 23      | 40-26720-43-730 | Fan Bracket                              | X      | X      | X       |             |
| 24      | 10-14528-31-560 | Fan Shroud                               |        | X      | X       |             |
| 25      | 19-15079-51-550 | Condenser                                | X      | X      |         |             |
| 25      | 19-15080-51-550 | Condenser                                |        |        | X       |             |
| 26      | 17-14548-42-590 | Receptor                                 | X      | X      | X       | X           |
| 27      | 40-06609-43-730 | Receptor Hanger (not shown)              | X      | X      | X       | X           |
| 28      | 11-26275-43-890 | Receptor Screws (4 each)                 | X      | X      | X       | X           |
| 29      | 40-14505-43-XXX | Front Panel (not shown)                  | X      | X      | X       | X           |
| 30      | 40-14503-43-XXX | Right Side Panel                         | X      | X      | X       | X           |
| 31      | 40-14504-43-XXX | Left Side Panel                          | X      | X      | X       | X           |
| 32      | 11-10083-43-890 | Panel Screws (48 each)                   | X      | X      | X       | X           |
| 33      | 13-14905-31-920 | Name Plate (not shown)                   | X      | X      | X       | X           |
| 34      | 40-15077-43-730 | Shelf                                    | X      | X      | X       | X           |
| 35      | 40-14748-43-730 | Tie Bar                                  | X      | X      | X       | X           |
| 36      | 19-26679-51-550 | Wiring Assembly                          | X      | X      | X       |             |
| 37      | 10-14517-31-550 | Side Frames (2 each)                     | X      | X      | X       | X           |
| 38      | 40-26030-43-730 | Base                                     | X      | X      | X       | X           |
| 39      | 10-15431-51-550 | Back Bumper (2 each)                     | X      | X      | X       | X           |
| 40      | 29-14356-16-550 | Capillary Tube                           | X      |        |         |             |
| 40      | 29-14859-16-550 | Capillary Tube                           |        | X      |         |             |
| 40      | 29-26871-16-550 | Capillary Tube                           |        |        | X       |             |

### ACCESSORIES AVAILABLE

Glass Filler - See Spec Book

Glass Filler Kit - 73-26285-51-550 (Does Not include Glass Filler)

Water Filtration Kit - 73-15242-51-550\* (Installed external to cooler)

73-15423-51-550\* (Installed inside cooler)

Vandal Proof Kit - 73-15243-51-640\*

XXX Please specify color when ordering. See Color Chart on page I-A for colors available.

\*See Detailed Parts Section for further breakdown.

\*\* FAN NOTE: If current fan blade screws on, use 10-42095-43-730. If it does not, use part 10-42343-43-730

# MODELS SW4A-3, SW8A-3 and SW14A-3

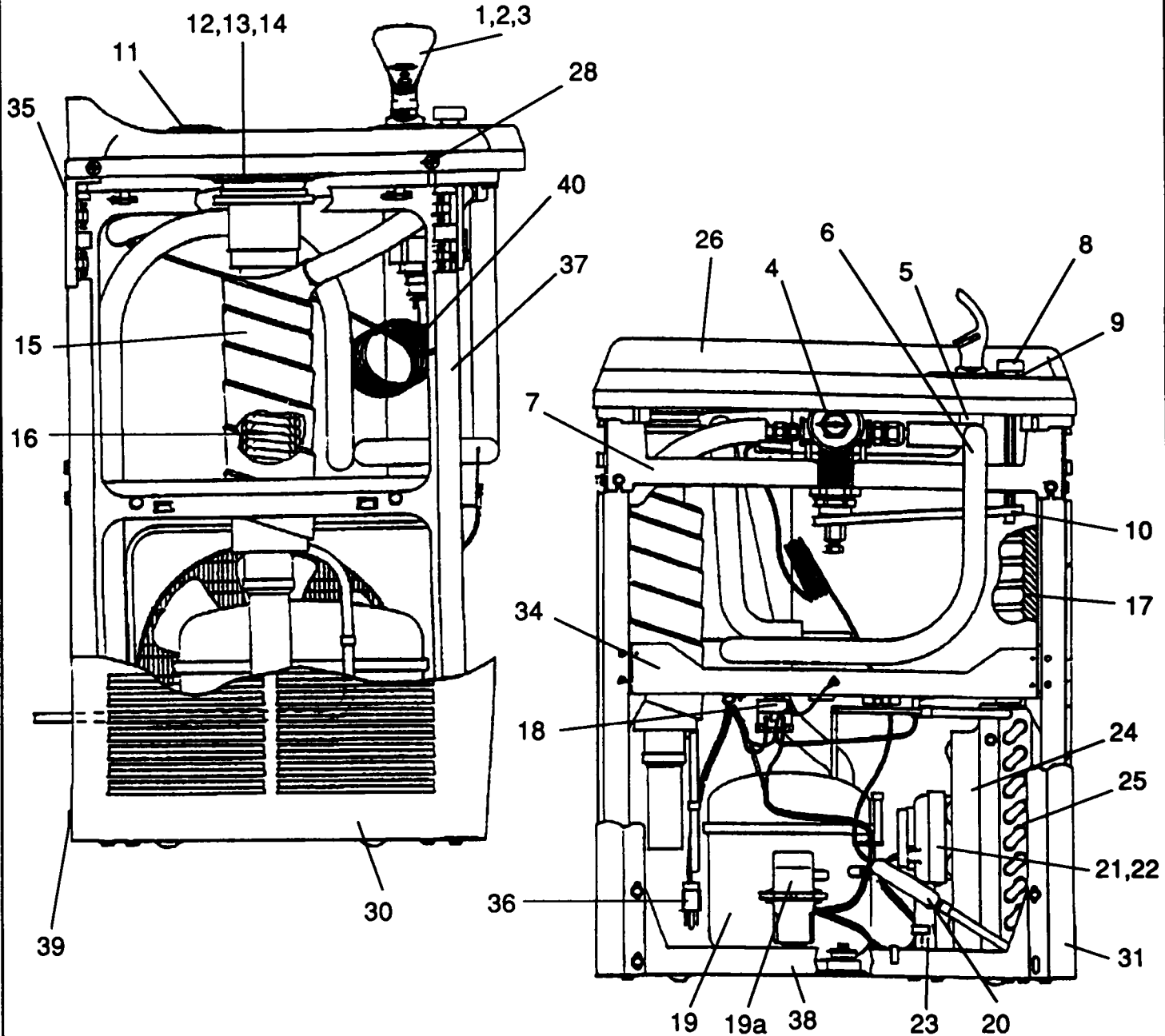
| MODEL# | MFG DATE<br>S/N<br>ENDING | COLD<br>WATER<br>CAP* | COMP<br>HP | VOLTAGE<br>± 10 | PH | HZ | TOTAL<br>AMPS | R-12<br>REFRIG<br>CHARGE* | WATER<br>INLET<br>PSIG |
|--------|---------------------------|-----------------------|------------|-----------------|----|----|---------------|---------------------------|------------------------|
| SW4-3  | J88 - Current             | 4GPH                  | 1/6        | 115             | 1  | 60 | 3.2           | 5.5 oz                    | 20-90                  |
| SW8-3  | H88 - Current             | 8GPH                  | 1/6        | 115             | 1  | 60 | 3.0           | 6.0 oz                    | 20-90                  |
| SW14-3 | A89 - Current             | 14GPH                 | 1/4        | 115             | 1  | 60 | 5.8           | 7.4 oz                    | 20-90                  |
|        |                           |                       |            |                 |    |    |               |                           |                        |

HEIGHT: 23"

WIDTH: 18 1/8"

DEPTH: 14 1/4"

\*ARI Ratings: capacity at GPH cooled to 50° with 90°F ambient temperature and 80°F inlet water.



To order parts, contact your nearest Halsey Taylor wholesaler or representative.

Continued product improvement makes specifications subject to change without notice.

*Halsey Taylor.*