

MODELS SW4A-1, 6A-1, 8A-1, 14A-1 and 16A-1

SW4A-1, SW6A-1, SW8A-1, SW14A-1 and SW16A-1 PART LIST

REF NO.	PART NUMBER	DESCRIPTION	SW4A-1	SW6A-1	SW8A-1	SW14A-1	SW16A-1
1	10-14228-31-640	Projector	X	X	X	X	X
2	10-03227-40-560	Projector Gasket (2 each)	X	X	X	X	X
3	10-14224-31-550	Projector Nipple	X	X	X	X	X
4	60-14800-51-550	Regulator Assembly*	X	X	X	X	X
4a	60-08050-51-550	Diaphragm Repair Kit (for item 4)*	X	X	X	X	X
4b	60-14202-51-550	Stem Assembly (included in item 4a)*	X	X	X	X	X
5	10-14532-31-550	Regulator Bracket	X	X	X	X	X
6	60-14511-51-590	Push Button Assembly*	X	X	X	X	X
7	10-14523-31-870	Bushing	X	X	X	X	X
8	40-26741-43-730	Lever Arm	X	X	X	X	X
9	10-06876-08-XXX	Glass Filler Plug Button	X	X	X	X	X
10	10-26399-08-XXX	Drain Plug (included in item 14)	X	X	X	X	X
11	16-02705-08-XXX	Strainer Plate (included in item 14)	X	X	X	X	X
12	10-01471-40-560	Waste Gasket					
13	60-15611-51-550	Drain Tube	X	X			
14	60-27042-51-550	Precooler Assembly (includes 10, 11)			X	X	X
15	10-14514-31-550	Precooler Baffle			X	X	X
16	60-14176-51-550	Evaporator Chiller	X	X			
16	60-14328-51-550	Evaporator Chiller			X		
16	60-15038-51-550	Evaporator Chiller				X	
16	60-14330-51-550	Evaporator Chiller					X
17	19-42339-51-550	Temperature Control	X	X	X	X	X
18	60-15575-51-550	Compressor	X				
18	60-15581-51-550	Compressor		X			
18	60-15572-51-550	Compressor			X		
18	60-15573-51-550	Compressor				X	
18	60-15574-51-550	Compressor					X
18a	19-14177-51-550	Relay (Included in 18)	X				
18a	19-15166-51-550	Relay (included in 18)		X			
18a	19-14891-51-550	Relay (included in 18)			X		
18a	19-14062-51-550	Relay (included in 18)				X	
18a	19-14412-51-550	Relay (included in 18)					X
18b	19-14178-51-550	Overload (included in 18)	X				
18b	19-15165-51-550	Overload (included in 18)		X			
18b	19-14894-51-550	Overload (included in 18)			X		
18b	19-14061-51-550	Overload (included in 18)				X	
18b	19-14895-51-550	Overload (included in 18)					X
18c	19-10864-51-550	Capacitor (included in 18)					X
19	60-42309-51-550	Fan Motor Kit	X	X	X	X	X
20	10-42343-43-730	Fan Blade (included in 19)	X	X	X	X	X
21	40-14533-43-730	Fan Bracket (included in item 19)	X	X	X	X	X
22	19-15079-51-550	Condenser	X	X	X		
22	19-15080-51-550	Condenser				X	
23	10-14528-31-560	Fan Shroud	X	X	X	X	
24	60-14566-51-550	Condenser & Shroud					X
25	10-10800-51-010	Drier	X	X	X	X	X
26	17-14548-42-590	Receptor	X	X	X	X	X
27	40-06609-43-730	Receptor Hanger (not shown)	X	X	X	X	X
28	11-26275-43-890	Receptor Screws (4 each)	X	X	X	X	X
29	40-14505-43-XXX	Front Panel	X	X	X	X	X
30	40-14503-43-XXX	Right Side Panel	X	X	X	X	X
31	40-14504-43-XXX	Left Side Panel	X	X	X	X	X
32	11-10083-43-890	Panel Screws (48 each)	X	X	X	X	X
33	13-14905-31-920	Name Plate (not shown)	X	X	X	X	X
34	10-14517-31-550	Side Frames (2 each)	X	X	X	X	X
35	40-26030-43-730	Base	X	X	X	X	X
36	40-15077-43-730	Shelf	X	X	X	X	X
37	40-14748-43-730	Tie Bar	X	X	X	X	X
38	19-26679-51-550	Wiring Assembly	X	X	X	X	X
39	10-15431-51-550	Back Bumper (2 each)(not shown)	X	X	X	X	X

ACCESSORIES AVAILABLE

Glass Filler – See Spec Book

Glass Filler Kit – 73-14499-51-550 (Does Not include Glass Filler)

Water Filtration Kit – 73-15242-51-550* (Installed external to cooler)

73-15423-51-550* (Installed inside cooler)

Vandal Proof Kit – 73-15243-51-640*

XXX Please specify color when ordering. See Color Chart on page I-A for colors available.

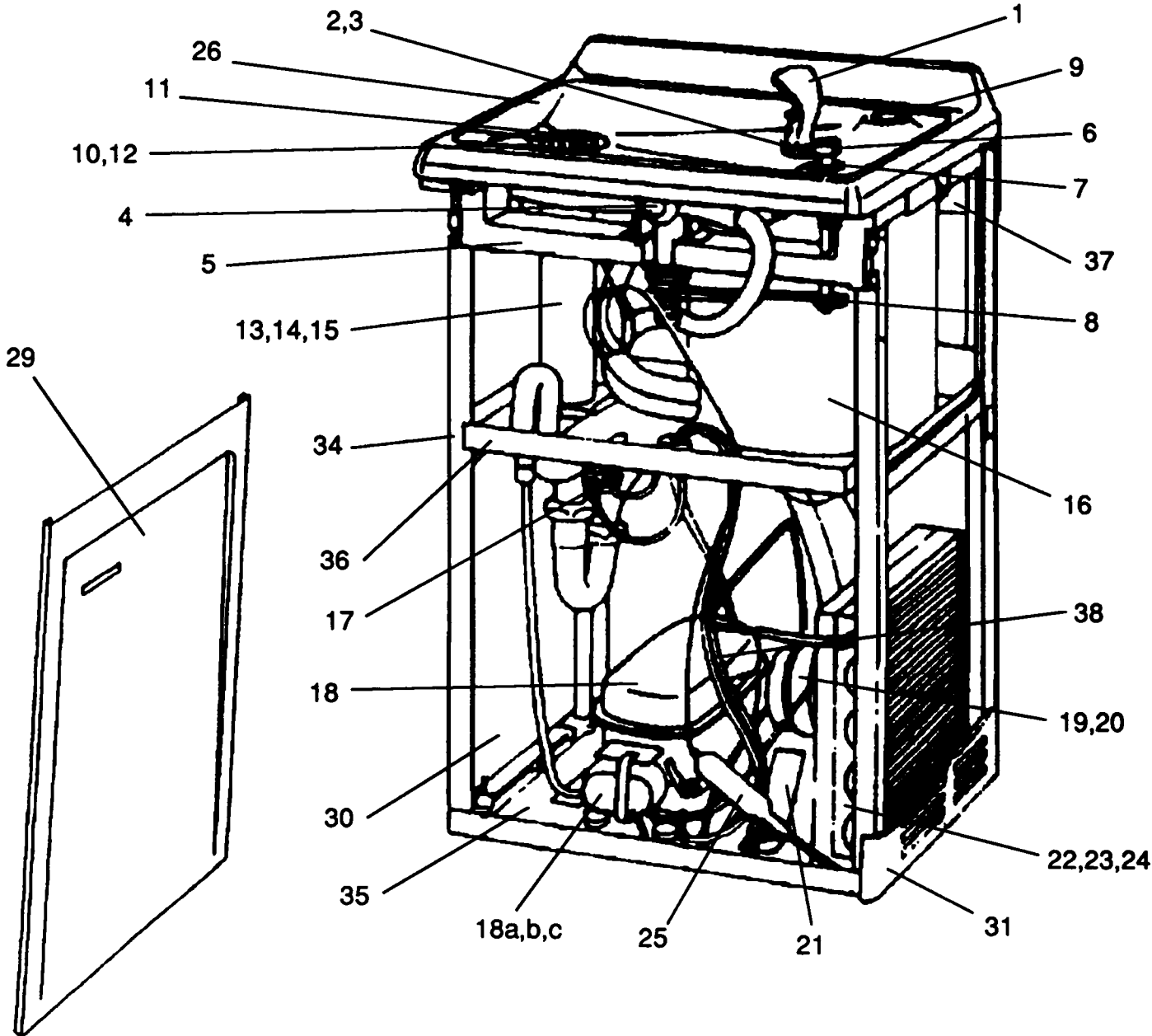
*See Detailed Parts Section for further breakdown.

MODELS SW 4A-1, 6A-1, 8A-1, 14A-1 and 16A-1

MODEL#	MFG DATE S/N ENDING	COLD WATER CAP*	COMP HP	VOLTAGE ± 10	PH	HZ	TOTAL AMPS	R-12 REFRIG CHARGE*	WATER INLET PSIG
SW4-1	F79 - F87	4GPH	1/10	115	1	60	2.4	5.75 oz	20-90
SW6-1	F79 - OBS	6GPH	1/6	115	1	60	3.8	9.0 oz	20-90
SW8-1	F79 - F87	8GPH	1/8	115	1	60	3.1	6.5 oz	20-90
SW14-1	F79 - F87	14GPH	1/5	115	1	60	4.8	8.1 oz	20-90
SW16-1	F79 - OBS	16GPH	1/4	115	1	60	5.5	12.5oz	20-90

HEIGHT: 23 $\frac{3}{4}$ " WIDTH: 18 $\frac{1}{2}$ " DEPTH: 14 $\frac{1}{4}$ "

*ARI Ratings: capacity at GPH cooled to 50° with 90°F ambient temperature and 80°F inlet water.



To order parts, contact your nearest Halsey Taylor wholesaler or representative.

Continued product improvement makes specifications subject to change without notice.

Halsey Taylor.