

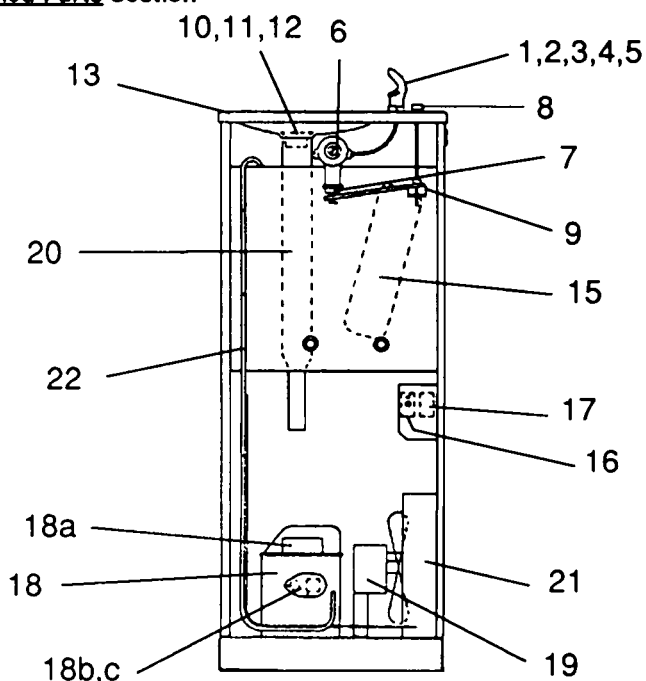
MODEL TF16A (NO LONGER AVAILABLE)

TF16A PARTS LIST

REF NO	PART NUMBER	DESCRIPTION
1	16-03165-03-640	Projector
2	16-06092-08-550	Projector Nipple
3	10-03227-40-560	Gasket (2 each)
4	10-10474-42-550	Stream Breaker
5	60-14166-51-550	Projector Connector (for use with replacement regulator assembly)
6	60-14800-51-550	Regulator Assembly*
6a	60-08050-51-550	Valve Repair Kit (for item 6)*
7	60-08817-51-550	Valve Stem Assembly (CELCON stem included in item 6)*
8	60-06429-51-590	Push Button Stem Assembly*
9	40-26741-43-730	Lever Arm
10	10-26399-08-640	Drain Plug
11	16-02705-08-640	Strainer Plate
12	10-01471-40-560	Waste Gasket
13	17-06740-42-830	Receptor
14	10-06876-08-640	Glass Filler Button (not shown)
15	60-07747-51-550	Storage Tank
16	19-42339-51-550	Primary Temperature Control
17	19-15342-51-550	Secondary Temperature Control
18	60-08394-51-550	Compressor
18a	19-10858-82-550	Capacitor (included in item 18)
18b	19-07765-51-550	Relay (included in item 18)
18c	19-07724-51-550	Overload (included in item 18)
19	60-10019-51-550	Fan & Motor Assembly (includes mounting bracket)
19a	19-10017-04-550	Fan Blade (included in item 22)
20	NO LONGER AVAILABLE	Precooler Assembly
21	19-07945-51-560	Condenser
22	29-07860-51-550	Capillary Heat Exchanger
23	40-06973-43-XXX	Front Panel (not shown)

* Look for detailed schematic of this part in Detailed Parts Section

XXX - See Page I-A for Color Chart



To order parts, contact your nearest Halsey Taylor wholesaler or representative.

Continued product improvement makes specifications subject to change without notice.

Halsey Taylor.