

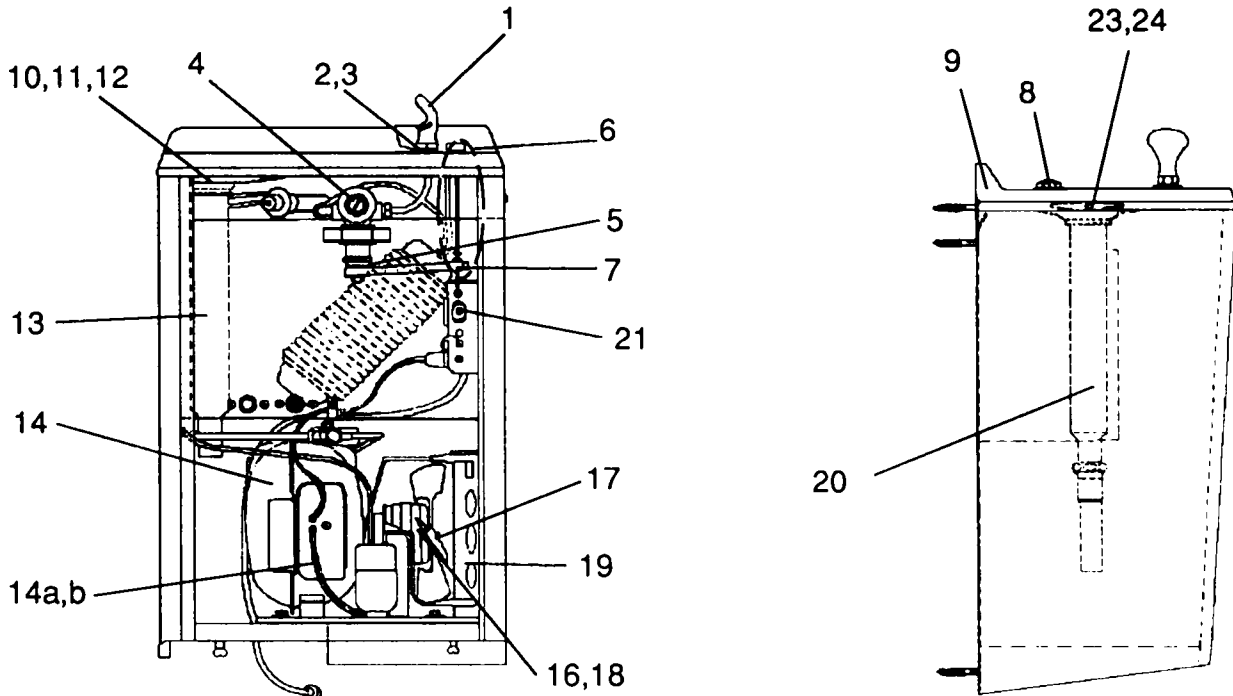
MODEL WM 6A (Obsolete)

WM 6A PART LIST

REF NO.	PART NUMBER	DESCRIPTION
1	16-03165-08-640	Projector
2	10-03227-40-560	Projector Gasket (2 each)
3	16-06092-08-550	Projector Nipple
4	60-06619-51-550	Valve Assembly *
4a	60-08050-51-550	Diaphragm Repair Kit* (for item 4)
5	60-08817-51-550	Stem Assembly*
6	60-06429-51-590	Push Button Assembly*
7	40-26741-43-730	Lever Arm
8	16-06090-08-640	Glass Filler Plug Button
9	17-07400-42-830	Receptor
10	16-16373-08-640	Drain Plug
11	16-02705-08-640	Strainer Plate
12	10-01471-40-560	Waste Gasket
13	NO LONGER AVAILABLE	Waste Line
14	60-08394-51-550	Compressor Assembly (must use Adapter Kit)
14a	19-07765-51-550	Relay (included in item 14)
14b	19-07724-51-550	Overload (included in item 14)
15	60-08592-51-550	Adapter Kit
16	NO LONGER AVAILABLE	Fan Motor
17	19-06487-04-550	Fan Blade
18	41-06286-43-730	Fan Bracket
19	19-03090-51-560	Condenser
20	NO LONGER AVAILABLE	Tailpiece Assembly
21	19-42339-51-550	Temperature Control
22	40-06609-43-730	Hanger (not shown)
23	11-07447-43-550	Receptor Speed Nut (2 required)
24	11-07487-42-550	Receptor Screw (2 required)

ALL OTHER PARTS NO LONGER AVAILABLE

XXX Please specify color when ordering. See Color Chart on page I-A for colors available.
*See Parts Section for further breakdown.



To order parts, contact your nearest Halsey Taylor wholesaler or representative.

Continued product improvement makes specifications subject to change without notice.

Halsey Taylor.