

MODELS WM 8A-1, 14A-1, 16A-1 and 20A-1 (June '79-'87)

WM 8A-1, 14A-1, 16A-1 and 20A-1 PART LIST

REF NO.	PART NUMBER	DESCRIPTION	WM8A-1	WM14A-1	WM16A-1	WM20A-1
1	10-14228-31-640	Projector	X	X	X	X
2	10-03227-40-560	Projector Gasket (2 required)	X	X	X	X
3	10-14224-31-550	Projector Nipple	X	X	X	X
4	60-14800-51-550	Regulator Assembly*(includes 4a)	X	X	X	X
4a	60-14202-51-550	Stem Assembly* (included in item 4)	X	X	X	X
4b	60-08050-51-550	Regulator Repair Kit* (for item 4)	X	X	X	X
5	60-14511-51-550	Push Button Stem Assembly*	X	X	X	X
6	10-14523-31-870	Bushing	X	X	X	X
7	40-26741-43-730	Lever Arm for Push Button Assembly	X	X	X	X
8	10-06876-08-XXX	Glass Filler Plug Button	X	X	X	X
9	16-02705-08-XXX	Strainer Plate (included in item 12)	X	X	X	X
10	10-26399-31-XXX	Drain Plug (included in item 12)	X	X	X	X
11	10-01471-40-560	Waste Gasket	X	X	X	X
12	60-27038-51-550	Precooler Assembly (includes items 9,10)	X	X	X	X
13	10-14514-31-550	Precooler Baffle	X	X	X	X
14	60-14328-51-550	Evaporator/Chiller	X			
14	60-15038-51-550	Evaporator/Chiller		X		
14	60-14330-51-550	Evaporator/Chiller			X	X
15	19-42339-51-550	Temperature Control	X	X	X	X
16	60-15572-51-550	Compressor Assembly	X			
16	60-15573-51-550	Compressor Assembly		X		
16	60-15574-51-550	Compressor Assembly			X	
16	19-10865-51-550	Compressor Assembly				X
16a	19-14891-51-550	Relay (included in item 16)	X			
16a	19-14062-51-550	Relay (included in item 16)		X		
16a	19-14412-51-550	Relay (included in item 16)			X	
16a	19-08413-51-550	Relay (NOT included in 16)				X
16b	19-14894-51-550	Overload (included in item 16)	X			
16b	19-14061-51-550	Overload (included in item 16)		X		
16b	19-14895-51-550	Overload (included in item 16)			X	
16b	19-08412-51-550	Overload (NOT included in 16)				X
17	19-14647-82-550	Capacitor			X	
17	19-10866-82-550	Capacitor				X
18	60-42309-51-550	Fan Motor Kit	X	X	X	X
18a	10-42095-43-730	Fan Blade (included in 18)	X	X	X	X
19	40-26720-43-730	Fan Mounting Bracket	X	X	X	X
20	19-15079-51-550	Condenser	X			
20	19-15080-51-550	Condenser		X		
20	19-15244-51-550	Condenser			X	
20	19-14566-51-550	Condenser (includes shroud)				X
21	10-14528-31-560	Fan Shroud	X	X	X	X
22	10-10800-51-010	Drier	X	X	X	X
23	17-14548-42-XXX	Receptor	X	X	X	X
24	40-06609-43-730	Receptor Hanger (not shown)	X	X	X	X
25	11-26275-43-XXX	Receptor Screws (4 each)	X	X	X	X
26	40-14322-43-XXX	Front Panel	X	X	X	X
27	40-14840-43-XXX	Right Side Panel	X	X	X	X
28	40-14839-43-XXX	Left Side Panel (not shown)	X	X	X	X
29	11-10083-43-XXX	Panel Screws	X	X	X	X
30	10-14551-31-550	Side Frames (2 each)	X	X	X	X
31	10-14532-31-550	Regulator Bracket	X	X	X	X
32	40-26030-43-730	Base	X	X	X	X
33	40-15077-43-730	Shelf	X	X	X	X
34	40-14748-43-730	Tie Bar	X	X	X	X
35	13-14905-31-920	Name Plate (not shown)	X	X	X	X
36	19-26679-51-550	Wiring Assembly	X	X	X	X
37	29-14356-16-550	Capillary Tube	X			
37	29-14357-16-550	Capillary Tube		X		
37	29-14568-16-550	Capillary Tube			X	

ACCESSORIES AVAILABLE

Glass Fillers – See Spec Book
 Glass Filler Installation Kit – 73-14499-51-550 (Does not include Glass Filler)
 Vandal Proof Kit – 73-15243-51-640*
 Water Filtration Kit – 73-15242-51-550* (installed external to cooler)
 73-15423-51-550* (installed inside cooler)

XXX Please specify color when ordering. See Color Chart on page I-A for colors available.

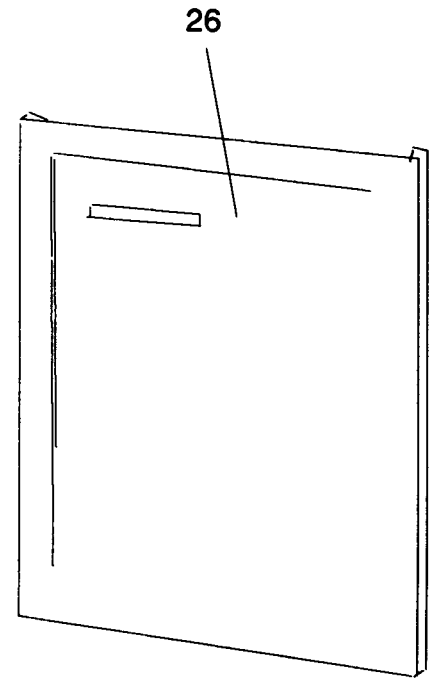
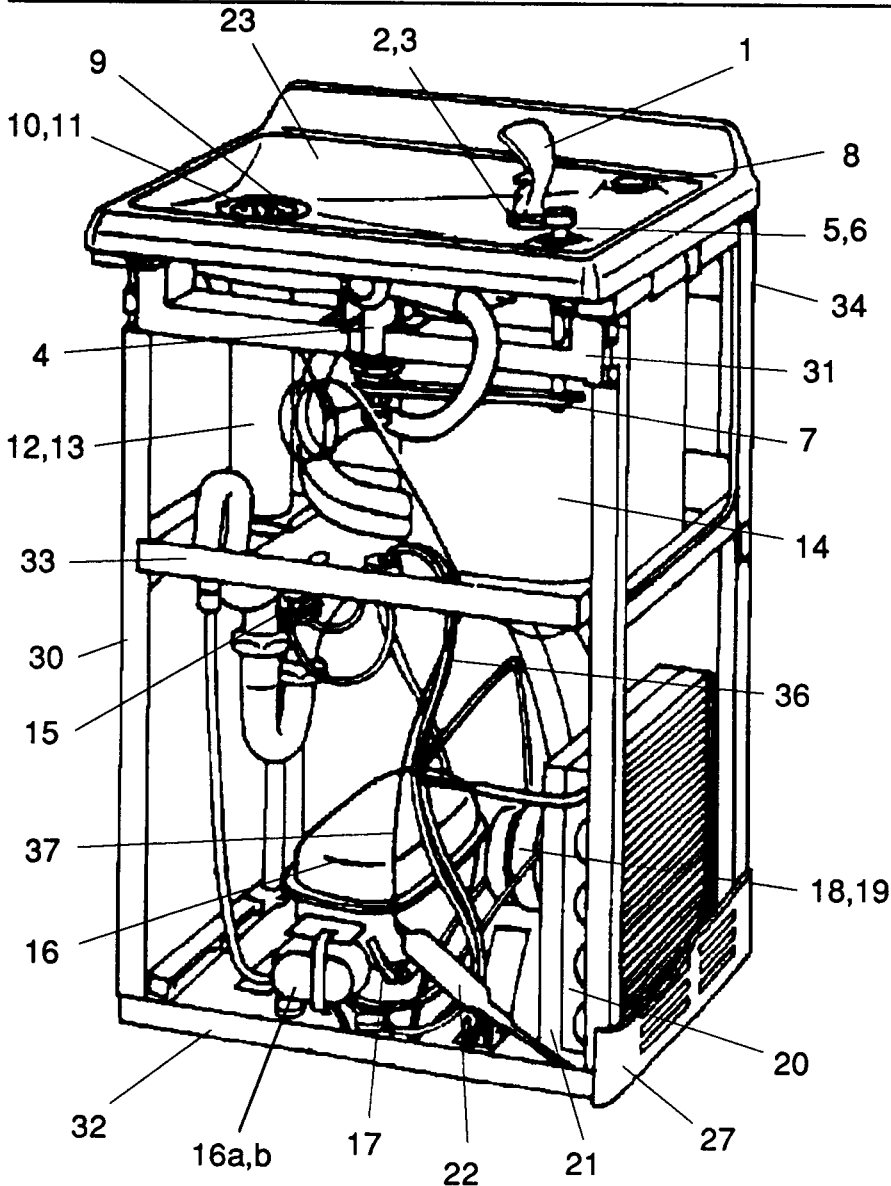
*See Parts Section for further breakdown.

MODELS WM 8A-1, 14A-1, 16A-1, 20A-1 (June 1979 -1987)

MODEL#	MFG DATE S/N ENDING	COLD WATER CAP*	COMP H/P	VOLTAGE ± 10	PH	HZ	TOTAL AMPS	R-12 REFRIG CHARGE*	WATER INLET PSIG
WM8A-1	F79 - F87	8GPH	1/6	115	1	60	3.1	6.0	20-90
WM14A-1	F79 - F87	14GPH	1/5	115	1	60	4.8	7.0	20-90
WM16A-1	F79 - F87	16GPH	1/4	115	1	60	5.7	11.0	20-90
WM20A-1	F79 - OBS	20GPH	1/3	115	1	60	8.3	9.0	20-90

HEIGHT: 28" WIDTH: 18 1/8" DEPTH: 14 1/4"

*ARI ratings: capacity at GPH cooled to 50° with 90°F ambient temperature and 80°F inlet water.



To order parts, contact your nearest Halsey Taylor wholesaler or representative.

Continued product improvement makes specifications subject to change without notice.

Halsey Taylor.

MODELS WM 8A-1, 14A-1, 16A-1 and 20A-1 (Jan. '79 - June '79)

WM 8A-1, 14A-1, 16A-1 and 20A-1 PART LIST

REF NO.	PART NUMBER	DESCRIPTION	WM8A-1	WM14A-1	WM16A-1	WM20A-1
1	10-14228-31-640	Projector	X	X	X	X
2	10-03227-40-560	Projector Gasket (2 required)	X	X	X	X
3	10-14224-31-550	Projector Nipple (included in item 4)	X	X	X	X
4	60-14801-51-550	Regulator Assembly* (includes 4a)	X	X	X	X
4a	60-14202-51-550	Stem Assembly* (included in item 4)	X	X	X	X
4b	60-08050-51-550	Regulator Repair Kit* (for item 4)	X	X	X	X
5	60-14743-51-550	Push Button Stem Assembly*	X	X	X	X
6	10-14523-31-870	Bushing	X	X	X	X
7	40-26741-43-730	Lever Arm for Push Button Assembly	X	X	X	X
8	10-06876-08-XXX	Glass Filler Plug Button	X	X	X	X
9	16-02705-08-XXX	Strainer Plate (included in item 12)	X	X	X	X
10	10-26399-31-XXX	Drain Plug (included in item 12)	X	X	X	X
11	10-01471-40-560	Waste Gasket	X	X	X	X
12	60-27038-51-550	Precooler Assembly (includes items 9,10)	X	X	X	X
13	60-14328-51-550	Evaporator/Chiller	X			
13	60-15038-51-550	Evaporator/Chiller		X		
13	60-14330-51-550	Evaporator/Chiller			X	X
14	19-42339-51-550	Temperature Control	X	X	X	X
15	60-15572-51-550	Compressor Assembly	X			
15	60-15573-51-550	Compressor Assembly		X		
15	60-15574-51-550	Compressor Assembly			X	
15	19-10865-51-550	Compressor Assembly				X
15a	19-14891-51-550	Relay (included in item 15)	X			
15a	19-14062-51-550	Relay (included in item 15)		X		
15a	19-14412-51-550	Relay (included in item 15)			X	
15a	19-08413-51-550	Relay (NOT included in 15)				X
15b	19-14894-51-550	Overload (included in item 15)	X			
15b	19-14061-51-550	Overload (included in item 15)		X		
15b	19-14895-51-550	Overload (included in item 15)			X	
15b	19-08412-51-550	Overload (NOT included in 15)				X
16	19-14647-82-550	Capacitor			X	
16	19-10866-82-550	Capacitor				X
17	60-42309-51-550	Fan Motor Kit	X	X	X	X
17a	10-42095-43-730	Fan Blade (included in 17)	X	X	X	X
17b	40-26720-43-730	Fan Mounting Bracket	X	X	X	X
18	NO LONGER AVAILABLE	Condenser	X	X	X	X
19	10-14528-31-560	Fan Shroud	X	X	X	X
20	10-10800-51-010	Drier	X	X	X	X
21	17-14548-42-XXX	Receptor	X	X	X	X
22	40-06609-43-730	Receptor Hanger (not shown)	X	X	X	X
23	11-26275-43-XXX	Receptor Screws (4 each)	X	X	X	X
24	40-14322-43-XXX	Front Panel	X	X	X	X
25	40-14840-43-XXX	Right Side Panel	X	X	X	X
26	40-14839-43-XXX	Left Side Panel	X	X	X	X
27	11-10083-43-XXX	Panel Screws	X	X	X	X
28	10-14551-31-550	Side Frames (2 each)	X	X	X	X
29	40-26030-43-730	Base	X	X	X	X
30	40-15077-43-730	Shelf	X	X	X	X
31	40-14748-43-730	Tie Bar	X	X	X	X
32	13-14905-31-920	Name Plate (not shown)	X	X	X	X
33	19-26679-51-550	Wiring Assembly	X	X	X	X
34	29-14356-16-550	Capillary Tube	X			
34	29-14371-16-550	Capillary Tube		X		
34	29-14568-16-550	Capillary Tube			X	

ACCESSORIES AVAILABLE

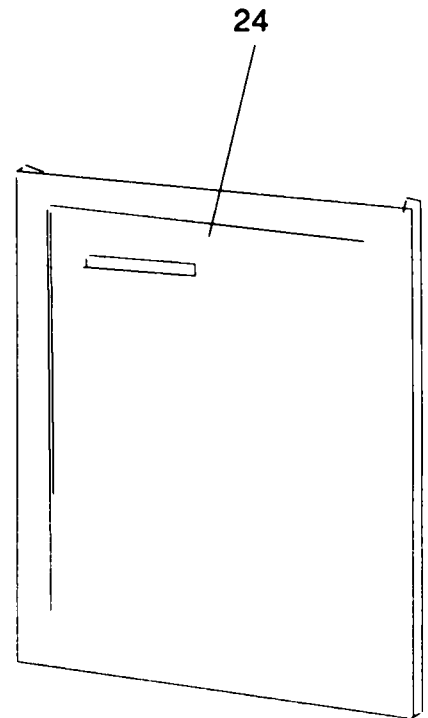
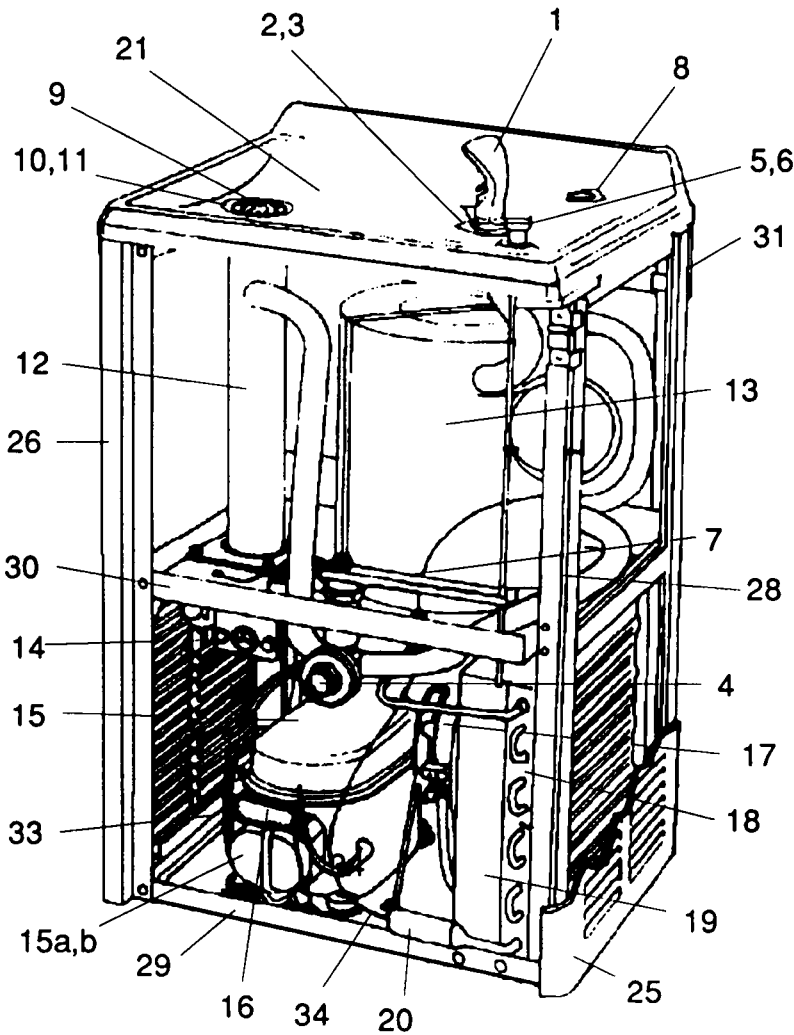
Glass Fillers: See Spec Book
 Glass Filler Installation Kit - 73-14499-51-550 (Does not include Glass Filler)
 Vandal Proof Kit - 73-15243-51-640*
 Water Filtration Kit - 73-15242-51-550* (installed external to cooler)
 73-15423-51-550* (installed inside cooler)

XXX Please specify color when ordering. See Color Chart on page I-A for colors available.

*See Parts Section for further breakdown.

MODELS WM 8A-1, 14A-1, 16A-1, 20A-1 (January 1979 - June 1979)

MODEL#	MFG DATE S/N ENDING	COLD WATER CAP*	COMP H/P	VOLTAGE ± 10	PH	HZ	TOTAL AMPS	R-12 REFRIG CHARGE*	WATER INLET PSIG
WM8A-1	A79 - F79	8GPH	1/6	115	1	60	3.1	6.0	20-90
WM14A-1	A79 - F79	14GPH	1/5	115	1	60	4.8	9.0	20-90
WM16A-1	A79 - F79	16GPH	1/4	115	1	60	5.7	8.0	20-90
WM20A-1	A79 - F79	20GPH	1/3	115	1	60	8.3	8.0	20-90
HEIGHT: 31¼"			WIDTH: 18½"			DEPTH: 14¼"			
*ARI ratings: capacity at GPH cooled to 50° with 90°F ambient temperature and 80°F inlet water.									



To order parts, contact your nearest Halsey Taylor wholesaler or representative.

Continued product improvement makes specifications subject to change without notice.

Halsey Taylor.