

# MODELS WM 8A, 14A, 16A and 20A

## WM 8A, 14A, 16A and 20A PART LIST

REF NO.	PART NUMBER	DESCRIPTION	WM8A	WM14A	WM16A	WM20A
1	10-14228-31-640	Projector	X	X	X	X
2	10-03227-40-560	Projector Gasket (2 required)	X	X	X	X
3	10-14224-31-550	Projector Nipple (included in item 4)	X	X	X	X
4	60-14800-51-550	Regulator Assembly*	X	X	X	X
4a	60-08050-51-550	Diaphragm Repair Kit* (for item 4)	X	X	X	X
4b	60-14202-51-550	Stem (Plastic) Assembly* (included in item 4)	X	X	X	X
5	60-06429-51-550	Push Button Stem Assembly*	X	X	X	X
6	40-26741-43-730	Lever Arm for Push Button Assembly	X	X	X	X
7	16-02705-08-640	Strainer Plate	X	X	X	X
8	16-16373-08-640	Drain Plug	X	X	X	X
9	10-01471-40-560	Waste Gasket	X	X	X	X
10	60-07450-51-550	Waste Line	X			
11	60-07520-51-550	Wasteline and Precooler Assembly		X	X	X
12	60-07751-51-550	Storage Tank	X			
12	60-07746-51-550	Storage Tank		X	X	X
13	19-42339-51-550	Primary Temperature Control (adjustable)	X	X	X	X
14	19-15342-51-550	Secondary Temperature Control (nonadjustable)	X	X	X	X
15	60-08394-51-550	Compressor Assembly	X	X		
15	60-07907-51-550	Compressor Assembly			X	
15	60-08415-51-550	Compressor Assembly				X
15a	19-10858-82-550	Starting Capacitor (included in item 15)	X	X		
15a	19-10864-82-550	Starting Capacitor (included in item 15)			X	
15a	19-10866-82-550	Starting Capacitor (included in item 15)				X
15b	19-07765-51-550	Relay (included in item 15)	X	X		
15b	19-07960-51-550	Relay (included in item 15)			X	
15b	19-08413-51-550	Relay (included in 15)				X
15c	19-07724-51-550	Overload (included in item 15)	X	X	X	
15c	19-08412-51-550	Overload (included in 15)				X
16	60-10019-51-550	Fan and Motor Assembly	X	X	X	
16	60-10028-51-550	Fan and Motor Assembly				X
16a	19-08417-04-550	Fan Blade (included in 16)	X	X	X	
16a	19-06285-04-550	Fan Blade (included in 16)				X
16b	10-06724-43-560	Fan Bracket (included in item 16)	X	X	X	X
17	19-07945-51-560	Condenser	X	X	X	
17	19-08555-51-550	Condenser				X
18	60-10108-51-550	Capillary Heat Exchanger	X	X		
18	29-07860-51-550	Capillary Heat Exchanger			X	
18	NO LONGER AVAILABLE	Capillary Heat Exchanger				X
19	17-07400-42-590	Receptor	X	X	X	X
20	40-06609-43-730	Hanger Bracket (not shown)	X	X	X	X
21	10-06876-08-640	Glass Filler Plug Button	X	X	X	X
22	40-07446-43-XXX	Front Panel	X	X	X	X
23	10-10800-51-010	Drier	X	X	X	X
24	11-07447-43-550	Receptor Speed Nut (2 required)	X	X	X	X
25	11-07487-42-550	Receptor Screw (2 required) (not show	X	X	X	X
26	11-10383-43-890	Front Panel Screw (2 required) (not shown)	X	X	X	X

### ACCESSORIES AVAILABLE

Glass Fillers: See Spec Book

Glass Filler Installation Kit - 60-09950-51-550 (Does not include Glass Filler)

Vandal Proof Kit - 73-15243-51-640\*

Water Filtration Kit - 73-15242-51-550\* (installed external to cooler)

73-15423-51-550\* (installed inside cooler)

XXX Please specify color when ordering. See Color Chart on page I-A for colors available.

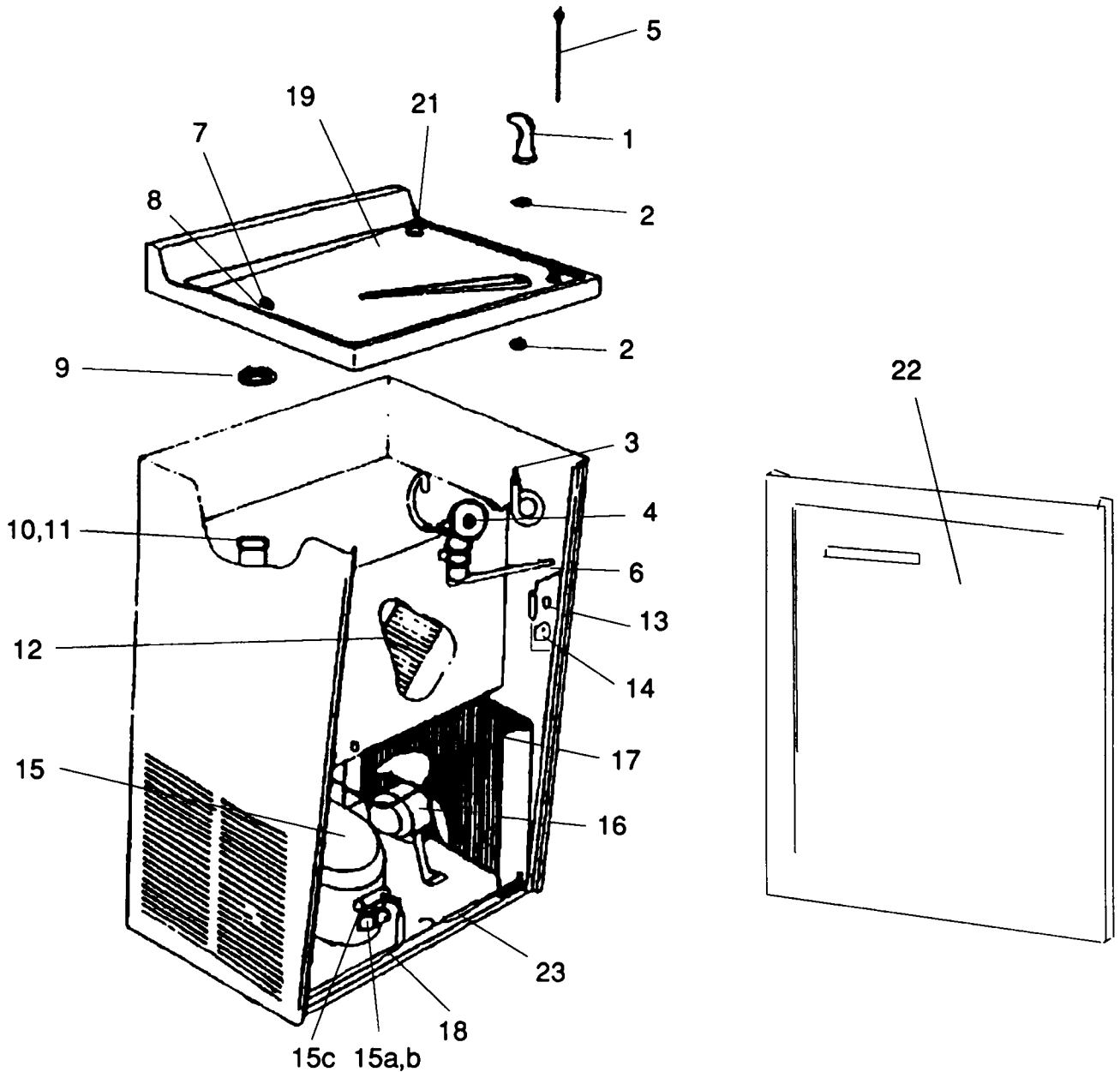
\*See Parts Section for further breakdown.

# MODELS WM 8A, 14A, 16A and 20A (1978 and older)

MODEL#	MFG DATE S/N ENDING	COLD WATER CAP*	COMP H/P	VOLTAGE ± 10	PH	HZ	TOTAL AMPS	R-12 REFRIG CHARGE*	WATER INLET PSIG
WM8A	78 & older	8GPH	1/5	115	1	60		9.0	20-90
WM14	78 & older	14GPH	1/5	115	1	60		9.0	20-90
WM16A	78 & older	16GPH	1/4	115	1	60		9.0	20-90
WM20A	78 & older	20GPH	1/3	115	1	60		9.0	20-90

HEIGHT: 31¼"                      WIDTH: 18½"                      DEPTH: 14¼"

\*ARI ratings: capacity at GPH cooled to 50° with 90°F ambient temperature and 80°F inlet water.



**To order parts, contact your nearest Halsey Taylor wholesaler or representative.**

*Continued product improvement makes specifications subject to change without notice.*

**Halsey Taylor.**