

MODELS WM 8A-2, 14A-2 and 16A-2

WM 8A-2, 14A-2 and 16A-2 PART LIST

REF NO.	PART NUMBER	DESCRIPTION	WM 8A-2	WM 14A-2	WM 16A-2
1	10-14228-31-XXX	Projector	X	X	X
2	10-03227-40-560	Projector Gasket (2 each)	X	X	X
3	16-42252-16-550	Projector Nipple (included in item 5)	X	X	X
4	60-26229-51-550	Regulator Assembly*	X	X	X
4a	60-08050-51-550	Diaphragm Repair Kit* (for item 4)	X	X	X
4b	60-14202-51-550	Valve Stem Assembly* (included in item 4)	X	X	X
5	60-26390-51-550	Projector Supply Line	X	X	X
6	60-15889-51-550	Valve to Chiller Supply Line	X	X	X
7	10-14532-51-550	Valve Bracket	X	X	X
8	60-14511-51-550	Push Button Stem Assembly*	X	X	X
9	10-14523-31-870	Stem Bushing	X	X	X
10	40-26741-43-730	Lever Arm for Push Button Assembly	X	X	X
11	10-06876-08-XXX	Glass Filler Plug Button	X	X	X
12	16-02705-08-XXX	Strainer Plate (included in item 15A)	X	X	X
13	41-26399-31-XXX	Drain Plug (included in item 15A)	X	X	X
14	10-01471-40-560	Waste Gasket	X	X	X
15A	60-27032-51-550	Precooler Assembly (includes items 12 & 13)		X	X
15B	60-27029-51-550	Drain Tube Assembly	X		
16	40-14514-31-550	Precooler Baffle		X	X
17	60-15489-51-550	Evaporator Chiller	X		
17	60-15528-51-550	Evaporator Chiller		X	
17	60-15490-51-550	Evaporator Chiller			X
18	19-42339-51-550	Temperature Control	X	X	X
19	60-15572-51-550	Compressor Assembly	X		
19	60-15573-51-550	Compressor Assembly		X	
19	60-15574-51-550	Compressor Assembly			X
19a	19-14891-51-550	Relay (included in item 19)	X		
19a	19-14062-51-550	Relay (included in item 19)		X	
19a	19-14412-51-550	Relay (included in item 19)			X
19b	19-14894-51-550	Overload (included in item 19)	X		
19b	19-14061-51-550	Overload (included in item 19)		X	
19b	19-14895-51-550	Overload (included in item 19)			X
20	19-14761-51-550	Fan Motor	X	X	X
21	SEE NOTE**	Fan Blade**	X	X	X
22	40-26720-43-730	Fan Bracket	X	X	X
23	10-14528-43-730	Shroud	X	X	X
24	19-15079-51-550	Condenser	X	X	
24	19-15224-51-550	Condenser			X
25	10-10800-51-010	Drier	X	X	X
26	17-14548-42-XXX	Receptor	X	X	X
27	11-26275-43-890	Receptor Screws (4 each)	X	X	X
28	40-06609-43-730	Hanger Bracket (not shown)	X	X	X
29	40-14322-43-XXX	Front Panel (not shown)	X	X	X
30	40-14839-43-XXX	Left Side Panel (not shown)	X	X	X
31	40-14840-43-XXX	Right Side Panel	X	X	X
32	10-15431-51-550	Back Bumper (2 each)	X	X	X
33	11-10083-43-890	Panel Screws (18 each)	X	X	X
34	40-15077-43-730	Shelf	X	X	X
35	40-26030-43-730	Base	X	X	X
36	13-14905-31-920	Name Plate (not shown)	X	X	X
37	40-14748-43-730	Tie Bar	X	X	X
38	10-14551-31-550	Side Frames	X	X	X
39	19-26679-51-550	Wiring Assembly	X	X	X
40	29-14356-16-550	Capillary Tube	X		
40	29-14371-16-550	Capillary Tube		X	
40	29-14568-16-550	Capillary Tube			X

ACCESSORIES AVAILABLE

Glass Fillers - See Spec Book
 Glass Filler Installation Kit - 73-26285-51-550 (Does not include Glass Filler)
 Vandal Proof Kit - 73-15243-51-640*
 Water Filtration Kit - 73-15242-51-550* (mounts external to cooler)
 73-15423-51-550* (installs inside cooler)

XXX Please specify color when ordering. See Color Chart on page I-A for colors available.

*See Detailed Parts Section for further breakdown.

**FAN NOTE: If current Fan Blade screws on use 10-42095-43-730. If not, use 10-42343-43-730.

MODELS WM 8A-2, 14A-2, and 16A-2

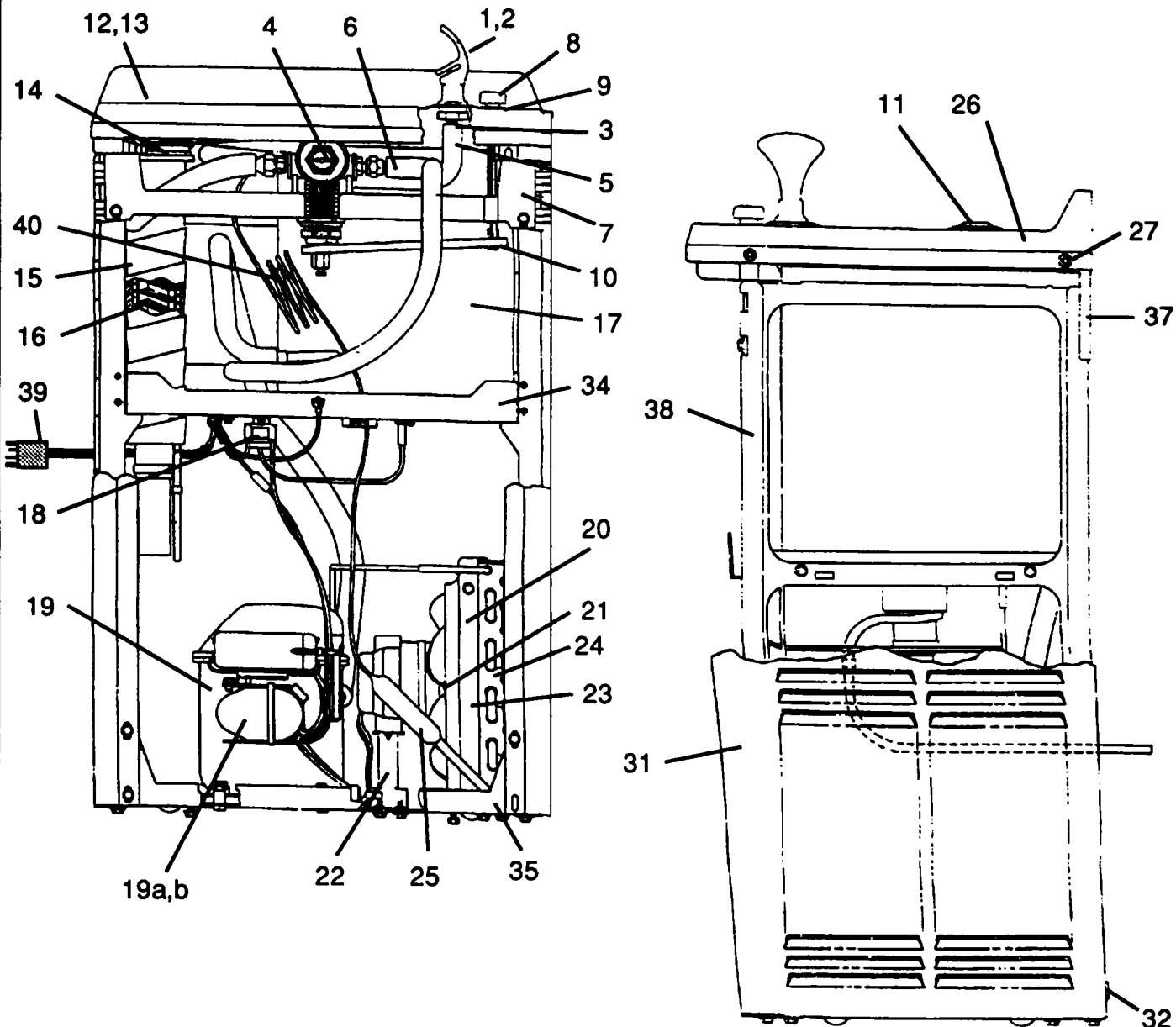
MODEL#	MFG DATE S/N ENDING	COLD WATER CAP*	COMP H/P	VOLTAGE ± 10	PH	HZ	TOTAL AMPS	R-12 REFRIG CHARGE*	WATER INLET PSIG
WM8A-2	G87 - G88	8GPH	1/8	115	1	60	3.0	6.5	20-90
WM14A-2	F87 - M88	14GPH	1/5	115	1	60	4.8	8.1	20-90
WM16A-2	F87 - Current	16GPH	1/4	115	1	60	5.7	12.5	20-90

HEIGHT: 28"

WIDTH: 18 1/2"

DEPTH: 14 1/4"

*ARI ratings: capacity at GPH cooled to 50 with 90°F ambient temperature and 80°F inlet water.



To order parts, contact your nearest Halsey Taylor wholesaler or representative.

Continued product improvement makes specifications subject to change without notice.

Halsey Taylor.