

MODELS WM 8A-3CB and 14A-3CB

WM 8A-3CB and 14A-3CB PART LIST

REF NO.	PART NUMBER	DESCRIPTION	WM 8A-3CB	WM 14A-3CB
1	10-14228-31-640	Projector	X	X
2	10-03227-40-560	Projector Gasket (2 each)	X	X
3	16-42252-16-550	Projector Nipple (included in item 5)	X	X
4	60-26229-51-550	Regulator Assembly*	X	X
4a	60-14549-51-550	Valve Body Assembly* (included in item 4)	X	X
4b	60-08050-51-550	Diaphragm Repair Kit* (for item 4)	X	X
4c	60-14202-51-550	Valve Stem Assembly* (included in item 4)	X	X
5	60-26390-51-550	Projector Supply Line	X	X
6	60-15889-51-550	Valve to Chiller Supply Line	X	X
7	10-14532-51-550	Valve Bracket	X	X
8	60-14511-51-550	Push Button Stem Assembly*	X	X
9	10-14523-31-870	Stem Bushing	X	X
10	40-26741-43-730	Lever Arm for Push Button Assembly	X	X
11	16-14670-51-550	Hot Water Valve Assembly*	X	X
11a	10-06833-31-810	Handle (included in item 11)	X	X
11b	16-06832-08-640	Gooseneck (included in item 11)	X	X
11c	10-09673-51-550	Stem (included in item 11)	X	X
12	16-02705-08-640	Strainer Plate (included in item 15)	X	X
13	10-26399-31-640	Drain Plug (included in item 15)	X	X
14	10-01471-40-560	Waste Gasket	X	X
15	60-27033-51-550	Precooler Assembly (includes items 12 and 13)	X	X
16	10-14514-31-550	Precooler Baffle	X	X
17	60-15489-51-550	Evaporator Chiller	X	
17	60-15528-51-550	Evaporator Chiller		X
18	19-42339-51-550	Temperature Control	X	X
19	92522C	Hot Tank	X	X
20	19-15047-51-550	Hot Temperature Control	X	X
21	60-26797-51-550	Compressor Assembly	X	
21	60-26793-51-550	Compressor Assembly		X
21a	19-26922-82-550	Overload/Relay Assembly (included in item 21)	X	
21a	19-26926-82-550	Overload/Relay Assembly (included in item 21)		X
22	10-10800-51-010	Drier	X	X
23	19-14761-51-550	Fan Motor	X	X
24	SEE FAN NOTE**	Fan Blade**	X	X
25	40-26720-43-730	Fan Bracket	X	X
26	10-14528-43-730	Shroud	X	X
27	19-15079-51-550	Condenser	X	
27	19-15080-51-550	Condenser		X
28	60-15271-51-550	Air Gap Cup Assembly	X	X
29	29-26871-16-550	Capillary Tube	X	
29	29-14859-16-550	Capillary Tube		X
30	16-15464-08-550	Service Valve	X	X
31	40-14726-42-590	Receptor	X	X
32	11-26275-43-890	Receptor Screws (4 each)	X	X
33	40-14322-43-XXX	Front Panel (not shown)	X	X
34	40-14839-43-XXX	Left Side Panel (not shown)	X	X
35	40-14840-43-XXX	Right Side Panel (not shown)	X	X
36	10-15431-51-550	Back Bumper (not shown)	X	X
37	11-10083-43-890	Panel Screws (49 each)	X	X
38	40-15077-43-730	Shelf	X	X
39	40-26030-43-730	Base	X	X
40	13-14905-31-920	Name Plate (not shown)	X	X
41	40-14748-43-730	Tie Bar	X	X
42	10-14551-31-550	Side Frames (2 each)	X	X
43	19-26680-51-550	Wiring Assembly	X	X
44	19-26109-51-550	Thermal Link	X	X
45	40-06609-43-730	Hanger Bracket (not shown)	X	X

ACCESSORIES AVAILABLE

Vandal Proof Kit - 73-15243-51-640*

Water Filtration Kit - 73-15242-51-550* (mounts external to cooler)

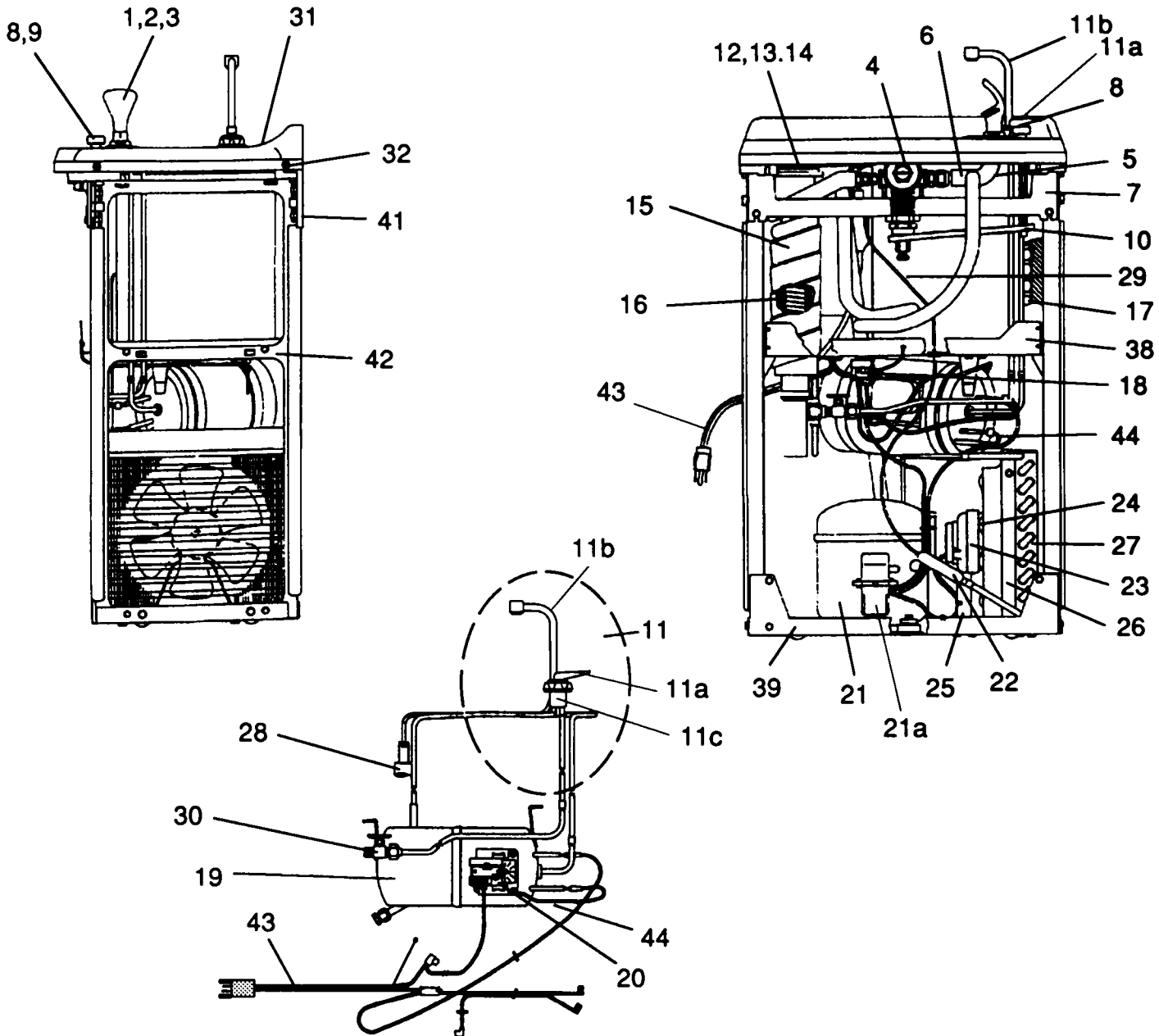
XXX Please specify color when ordering. See Color Chart on page I-A for colors available.

*See Detailed Parts Section for further breakdown.

** FAN NOTE: If current fan blade screws on, use the 19-42095-51-550. If it does not screw on, use the 10-42343-43-730

MODELS WM 8A-3CB and 14A-3CB

MODEL#	MFG DATE S/N ENDING	COLD WATER CAP*	COMP H/P	VOLTAGE ± 10	PH	HZ	TOTAL AMPS	R-12 REFRIG CHARGE*	WATER INLET PSIG
WM8A-3CB	H8 -	8GPH	1/6	115	1	60	9.4	6.0 oz	20-90
WM14A-3CB	H8 -	14GPH	1/4	115	1	60	12.2	7.4 oz	20-90
HEIGHT: 28"			WIDTH: 18½"			DEPTH: 14¼"			
*ARI ratings: capacity at GPH cooled to 50° with 90°F ambient temperature and 80°F inlet water.									



To order parts, contact your nearest Halsey Taylor wholesaler or representative.

Continued product improvement makes specifications subject to change without notice.

Halsey Taylor.

MODELS WM 8A-2CB and 14A-2CB

WM 8A-2CB and 14A-2CB PART LIST

REF NO.	PART NUMBER	DESCRIPTION	WM 8A-2CB	WM 14A-2CB
1	10-14228-31-640	Projector	X	X
2	10-03227-40-560	Projector Gasket (2 each)	X	X
3	16-42252-16-550	Projector Nipple	X	X
4	60-26229-51-550	Regulator Assembly*	X	X
4a	60-14549-51-550	Valve Body Assembly (included in item 4)*	X	X
4b	60-08050-51-550	Diaphragm Repair Kit* (for item 4)	X	X
4c	60-14202-51-550	Valve Stem Assembly* (incl. in item 4)	X	X
5	60-26390-51-550	Projector Supply Line	X	X
6	60-15889-51-550	Valve to Chiller Supply Line	X	X
7	10-14532-51-550	Valve Bracket	X	X
8	60-14511-51-550	Push Button Stem Assembly*	X	X
9	10-14523-31-870	Stem Bushing	X	X
10	40-26741-43-730	Lever Arm for Push Button Assembly	X	X
11	16-14670-51-550	Hot Water Valve Assembly*	X	X
11a	10-06833-31-810	Handle (included in item 11)	X	X
11b	10-06832-08-640	Gooseneck (included in item 11)	X	X
11c	10-09673-51-550	Stem (included in item 11)	X	X
12	16-02705-08-640	Strainer Plate (included in item 15)	X	X
13	10-26399-31-640	Drain Plug (included in item 15)	X	X
14	10-01471-40-560	Waste Gasket (included in item 15)	X	X
15	60-27038-51-550	Precooler Assembly (includes items 12 and 13)	X	X
16	10-14514-31-550	Precooler Baffle		X
17	60-15489-51-550	Evaporator Chiller	X	
17	60-15528-51-550	Evaporator Chiller		X
18	19-42339-51-550	Temperature Control	X	X
19	92522C	Hot Tank	X	X
20	19-15047-51-550	Hot Temperature Control	X	X
21A	60-15572-51-550	Compressor Assembly	X	
21B	60-15573-51-550	Compressor Assembly		X
22a	19-14891-51-550	Relay (included in item 21A)	X	
22b	19-14062-51-550	Relay (included in item 21B)		X
23a	19-14894-51-550	Overload (included in item 21A)	X	
23b	19-14061-51-550	Overload (included in item 21B)		X
24	19-14761-51-550	Fan Motor	X	X
25	SEE NOTE**	Fan Blade**	X	X
26	40-26720-43-730	Fan Bracket	X	X
27	10-14528-43-730	Shroud	X	X
28	19-15079-51-550	Condenser	X	X
29	10-10800-51-010	Drier	X	X
30	60-15271-51-550	Air Gap Cup Assembly	X	X
31	29-14356-16-550	Capillary Tube	X	
31	29-14371-16-550	Capillary Tube		X
32	16-15464-08-550	Service Valve	X	X
33	40-14726-42-590	Receptor	X	X
34	11-26275-43-890	Receptor Screws (4 each)	X	X
35	40-14322-43-XXX	Front Panel (not shown)	X	X
36	40-14839-43-XXX	Left Side Panel (not shown)	X	X
37	40-14840-43-XXX	Right Side Panel (not shown)	X	X
38	10-15431-51-550	Back Bumper (not shown)	X	X
39	11-10083-43-890	Panel Screws (49 each)	X	X
40	40-15077-43-730	Shelf	X	X
41	40-26030-43-730	Base	X	X
42	13-14905-31-920	Name Plate (not shown)	X	X
43	40-14748-43-730	Tie Bar (not shown)	X	X
44	10-14551-31-550	Side Frames (2 each)	X	X
45	19-26680-51-550	Wiring Assembly	X	X
46	19-26109-51-550	Thermal Link	X	X
47	40-06609-43-730	Hanger Bracket (not shown)	X	X

ACCESSORIES AVAILABLE

Vandal Proof Kit - 73-15243-51-640*

Water Filtration Kit - 73-15242-51-550* (mounts external to cooler)

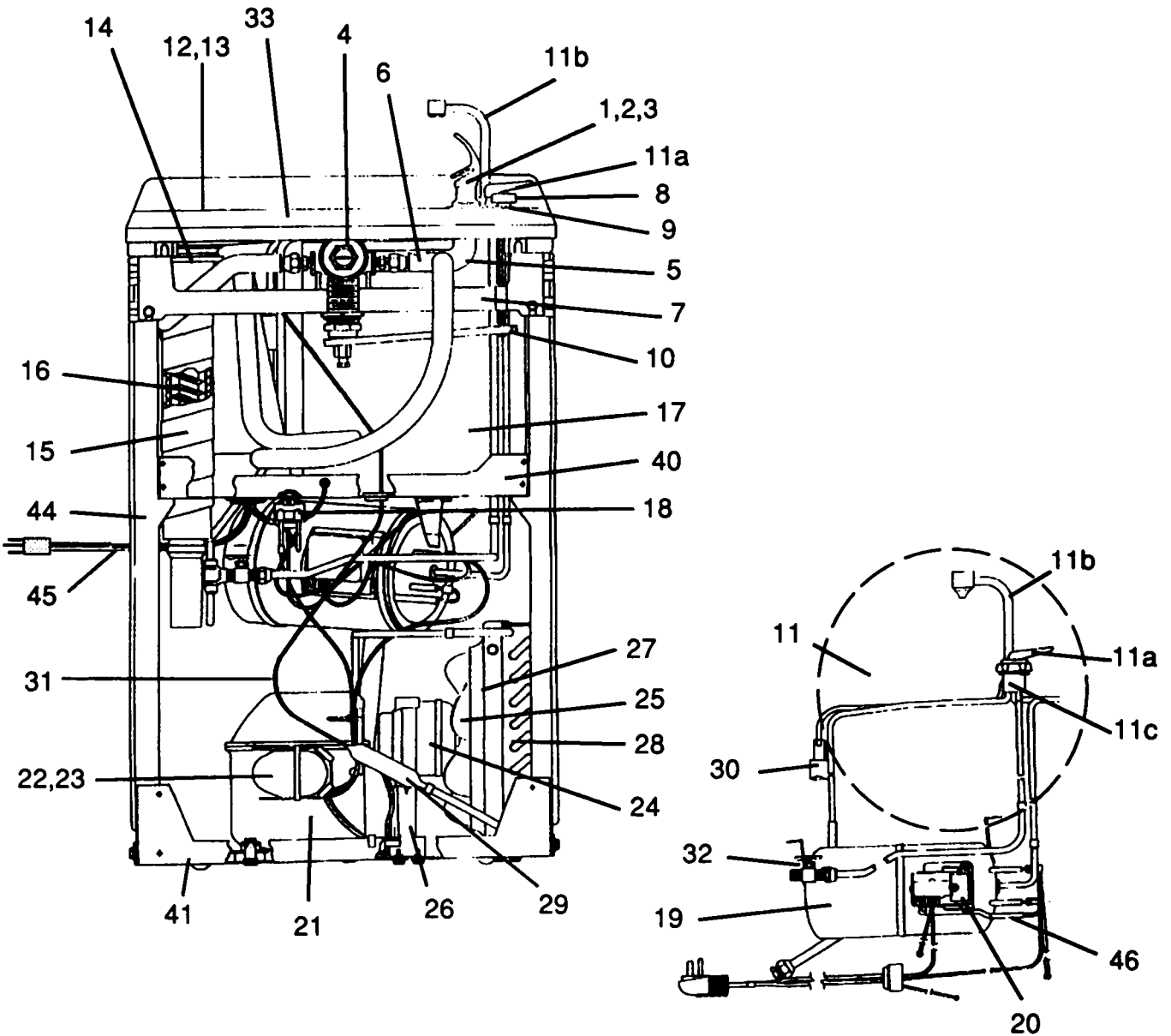
XXX Please specify color when ordering. See Color Chart on page I-A for colors available.

*See Detailed Parts Section for further breakdown.

**FAN NOTE: If current fan blade screws on, use 10-42095-43-730. If it does not, use 10-42343-43-730

MODELS WM 8A-2CB and 14A-2CB

MODEL#	MFG DATE S/N ENDING	COLD WATER CAP*	COMP H/P	VOLTAGE ± 10	PH	HZ	TOTAL AMPS	R-12 REFRIG CHARGE*	WATER INLET PSIG
WM8A-2CB	H7 - H8	8GPH	1/6	115	1	60	9.4	6.5 oz	20-90
WM14A-2CB	H7 - H8	14GPH	1/5	115	1	60	11.1	8.1 oz	20-90
HEIGHT: 31¼"			WIDTH: 18½"			DEPTH: 14¼"			
*ARI ratings: capacity at GPH cooled to 50° with 90°F ambient temperature and 80°F inlet water.									



To order parts, contact your nearest Halsey Taylor wholesaler or representative.

Continued product improvement makes specifications subject to change without notice.

Halsey Taylor