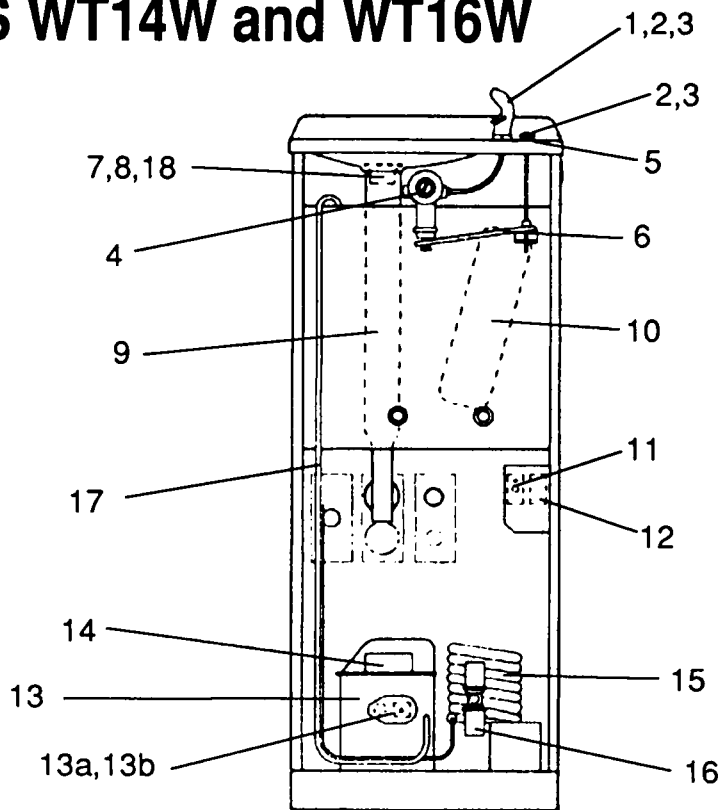


MODELS WT14W and WT16W



WT14W and WT16W PART LIST

REF NO.	PART NUMBER	DESCRIPTION	WT14W	WT16W
1	16-03165-08-640	Projector	X	X
2	10-03227-40-560	Projector Gasket (2 each)	X	X
3	16-06092-08-550	Projector Nipple	X	X
4	60-14800-51-550	Regulator Assembly*	X	X
4a	60-14549-51-550	Valve Assembly (included in item 4)*	X	X
4b	60-08050-51-550	Diaphragm Repair Kit (for item 4)*	X	X
4c	60-14202-51-550	Stem Assembly*	X	X
5	60-06429-51-550	Push Button Assembly*	X	X
6	40-26741-43-730	Lever Arm	X	X
7	16-16373-08-640	Drain Plug	X	X
8	10-01471-40-560	Waste Gasket	X	X
9	NO LONGER AVAILABLE	Wasteline/Precooler	X	X
10	60-07747-51-550	Lowside	X	X
11	19-42339-51-550	Primary Temperature Control	X	X
12	19-15342-51-550	Secondary Temperature Control	X	X
13	60-08394-51-550	Compressor Assembly	X	X
13a	19-07765-51-550	Relay	X	X
13b	19-07724-51-550	Overload	X	X
14	19-10858-82-550	Capacitor	X	X
15	NO LONGER AVAILABLE	Condenser	X	X
16	60-26556-51-550	Condenser Water Valve	X	X
17	29-09970-51-550	Capillary Heat Exchanger	X	X
18	16-02705-08-640	Strainer Plate	X	X
ALL OTHER PARTS NO LONGER AVAILABLE				

*See Detailed Parts Section for further breakdown.

To order parts, contact your nearest Halsey Taylor wholesaler or representative.

Continued product improvement makes specifications subject to change without notice.

Halsey Taylor.