

# MODEL WT6A, WT8A, WT8A, WT14A, WT16A, WT20A and WT21A

## WT6A, WT8A, WT14A, WT16A, WT20A and WT21A PART LIST

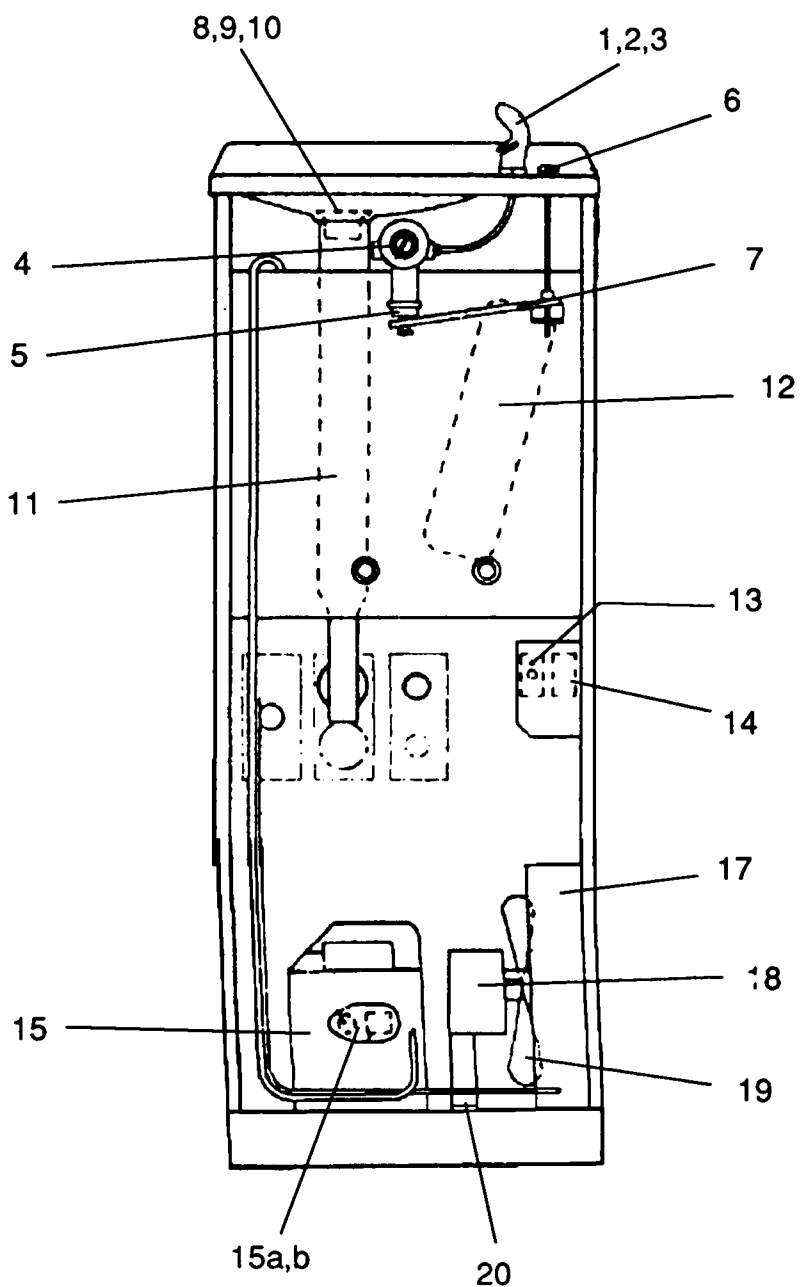
REF NO.	PART NUMBER	DESCRIPTION	WT6A	WT8A	WT14A	WT16A	WT20A	WT21A
1	16-03165-08-640	Projector	X	X	X	X	X	X
2	10-03227-40-560	Projector Gasket (2 each)	X	X	X	X	X	X
3	16-06092-08-550	Projector Nipple	X	X	X	X	X	X
4	60-02596-51-550	Regulator*	X	X	X	X	X	X
4a	60-08050-51-550	Diaphragm Repair Kit (for item 4)*	X	X	X	X	X	X
5	60-08817-51-550	Stem Assembly*	X	X	X	X	X	X
6	60-06429-51-550	Push Button Assembly*	X	X	X	X	X	X
7	40-26741-43-730	Lever Arm	X	X	X	X	X	X
8	16-16373-08-640	Drain Plug	X	X	X	X	X	X
8	16-26339-08-640	Drain Plug		X	X	X	X	X
9	16-02705-08-640	Strainer Plate	X	X	X	X	X	X
10	10-01471-40-560	Waste Gasket	X	X	X	X	X	X
11	NO LONGER AVAILABLE	Wasteline/Precooler	X	X	X	X	X	X
12	NO LONGER AVAILABLE	Lowside	X	X	X	X	X	X
13	19-42339-51-550	Primary Temperature Control	X	X	X	X	X	X
14	19-15342-51-550	Secondary Temperature Control	X	X	X	X	X	X
15	60-08394-51-550	Compressor Assembly (see item 16)	X	X	X	X	X	X
15	60-07907-51-550	Compressor Assembly			X	X		
15	NO LONGER AVAILABLE	Compressor Assembly				X		X
15a	19-07765-51-550	Relay	X	X	X	X	X	X
15a	19-07960-51-550	Relay		X	X	X		
15a	NO LONGER AVAILABLE	Relay			X	X		X
15b	19-07724-51-550	Overload	X	X		X		X
15b	NO LONGER AVAILABLE	Overload				X		X
16	60-08592-51-560	Adapter Kit (must use when replacing 15)				X		X
17	19-03090-51-560	Condenser	X					
17	NO LONGER AVAILABLE	Condenser	X	X	X	X	X	X
18	NO LONGER AVAILABLE	Fan Motor	X	X	X	X	X	X
18	60-10019-51-550	Fan Motor		X	X	X		
19	19-06487-04-550	Fan Blade	X					
19	19-08417-04-550	Fan Blade (included in item 18)		X	X	X		X
19	19-06285-04-550	Fan Blade				X		
20	41-06286-51-730	Fan Bracket	X	X	X	X	X	X
20	10-06724-43-560	Fan Bracket (included in item 19)				X		
21	16-06090-08-640	Glass Filler Plug Button (not shown)	X	X	X	X	X	X

ALL OTHER PARTS NO LONGER AVAILABLE

XX Please specify color when ordering. See Color Chart on page I-A for colors available.

\*See Detailed Parts Section for further breakdown.

# MODELS WT6A, WT8A, WT14A, WT16A, WT20A, WT21A



**To order parts, contact your nearest Halsey Taylor wholesaler or representative.**

*Continued product improvement makes specifications subject to change without notice.*

***Halsey Taylor***