

MODEL XP16W

XP16W PARTS LIST

REF NO	PART NUMBER	DESCRIPTION
1	10-14228-31-640	Projector
2	10-14224-31-550	Projector Nipple
3	10-03227-40-560	Gasket (2 each)
4	60-14800-51-550	Regulator Assembly*
4a	60-08050-51-550	Valve Repair Kit (for item 4)*
4b	60-14202-51-550	Stem Assembly (included in item 4)
5	60-06429-51-590	Push Button Stem Assembly*
6	40-26741-43-730	Lever Arm
7	10-06876-08-640	Glass Filler Button (not shown)
8	10-26399-08-640	Drain Plug
9	16-02705-08-640	Strainer Plate
10	10-01471-40-560	Waste Gasket
11	60-06884-51-550	Waste Line Assembly
12	60-07748-51-550	Lowside Assembly
13	60-07938-51-550	Primary Temperature Control
14	60-07932-51-550	Secondary Temperature Control
15	19-42334-51-550	Compressor
16	19-42351-51-550	Relay
17	19-42336-51-550	Overload
18	60-26558-51-550	Condenser
19	60-26556-51-550	Condenser Water Valve
20	60-10108-51-550	Capillary Heat Exchanger
21	19-05308-04-550	Junction Box
22	17-06740-42-830	Receptor
23	40-06973-43-XXX	Front Panel (not shown)

* Look for detailed schematic of this part in Detailed Parts Section

XXX - See Page I-A for Color Chart

MODEL XP16W

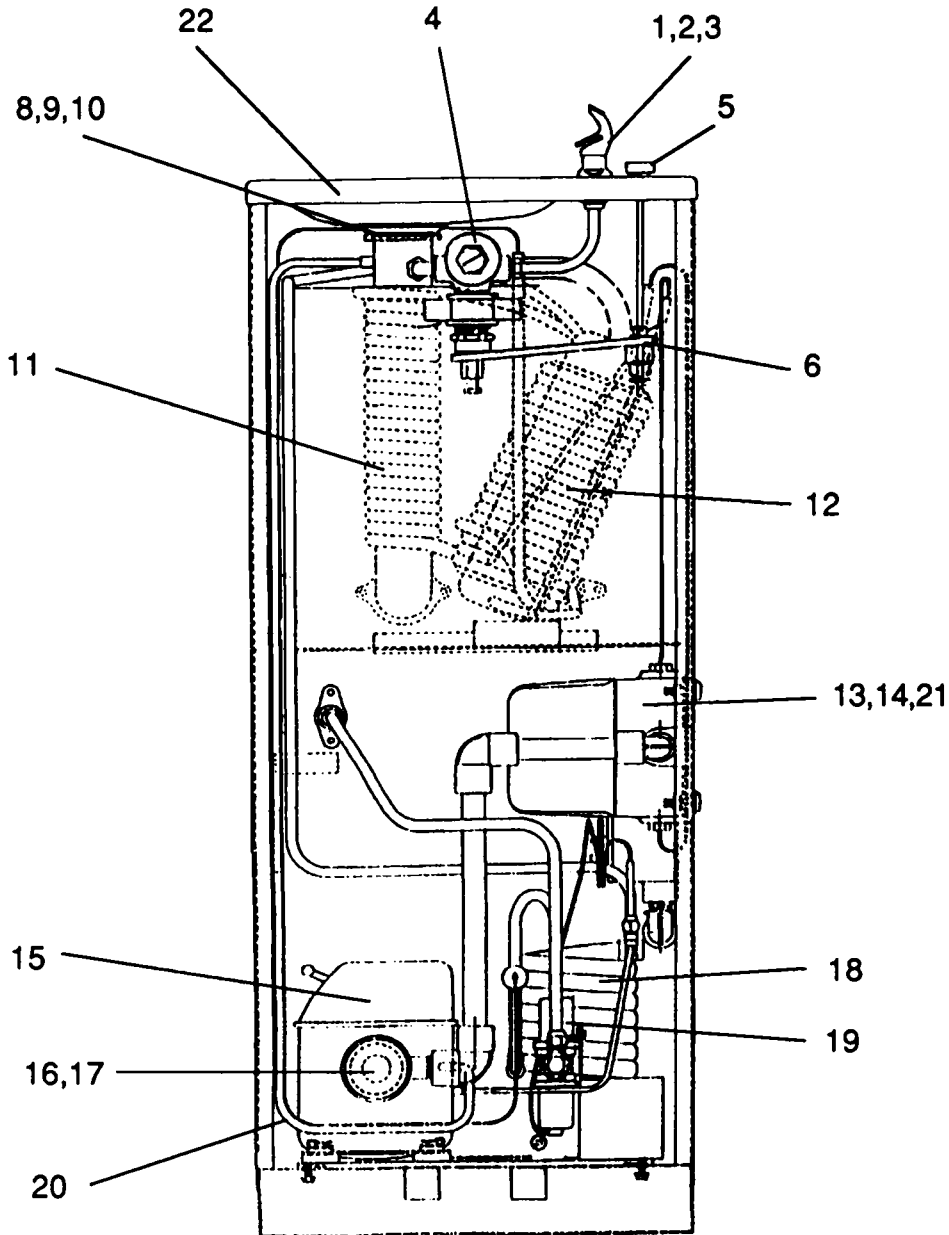
MODEL#	MFG DATE S/N ENDING	COLD WATER CAP*	COMP H/P	VOLTAGE ± 10	PH	HZ	TOTAL AMPS	R-12 REFRIG CHARGE*	WATER INLET PSIG
XP16W	OBSOLETE	16GPH	1/5	110	1	60	5.0	8 oz.	20-90

HEIGHT: 43¾"

WIDTH: 16"

DEPTH: 13¼"

*ARI ratings: capacity at GPH cooled to 50° with 90°F ambient temperature and 80°F inlet water.



To order parts, contact your nearest Halsey Taylor wholesaler or representative.

Continued product improvement makes specifications subject to change without notice.

Halsey Taylor.