

HALSEY TAYLOR OWNERS MANUAL

USES HFC-134A REFRIGERANT

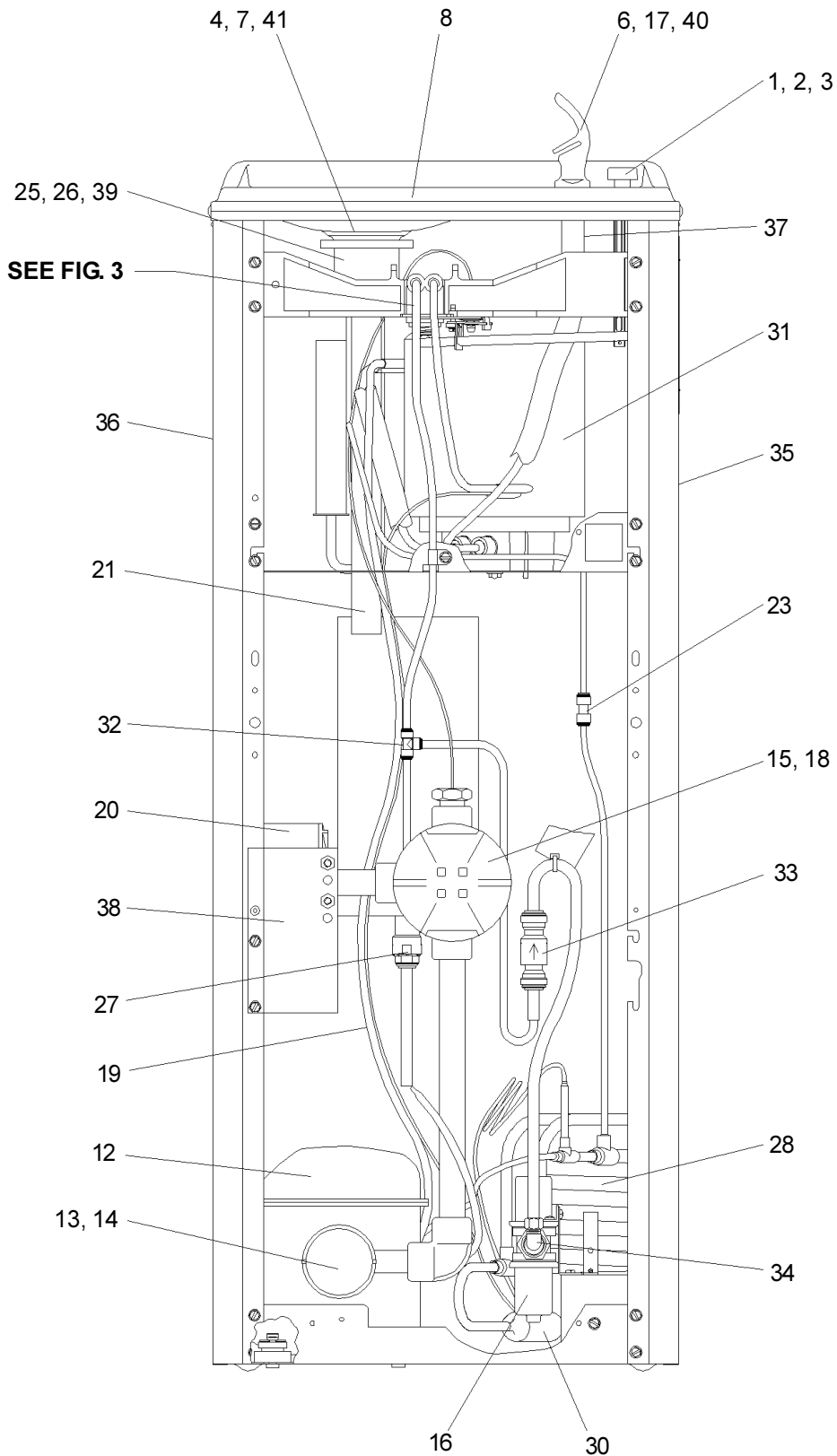


FIG. 1

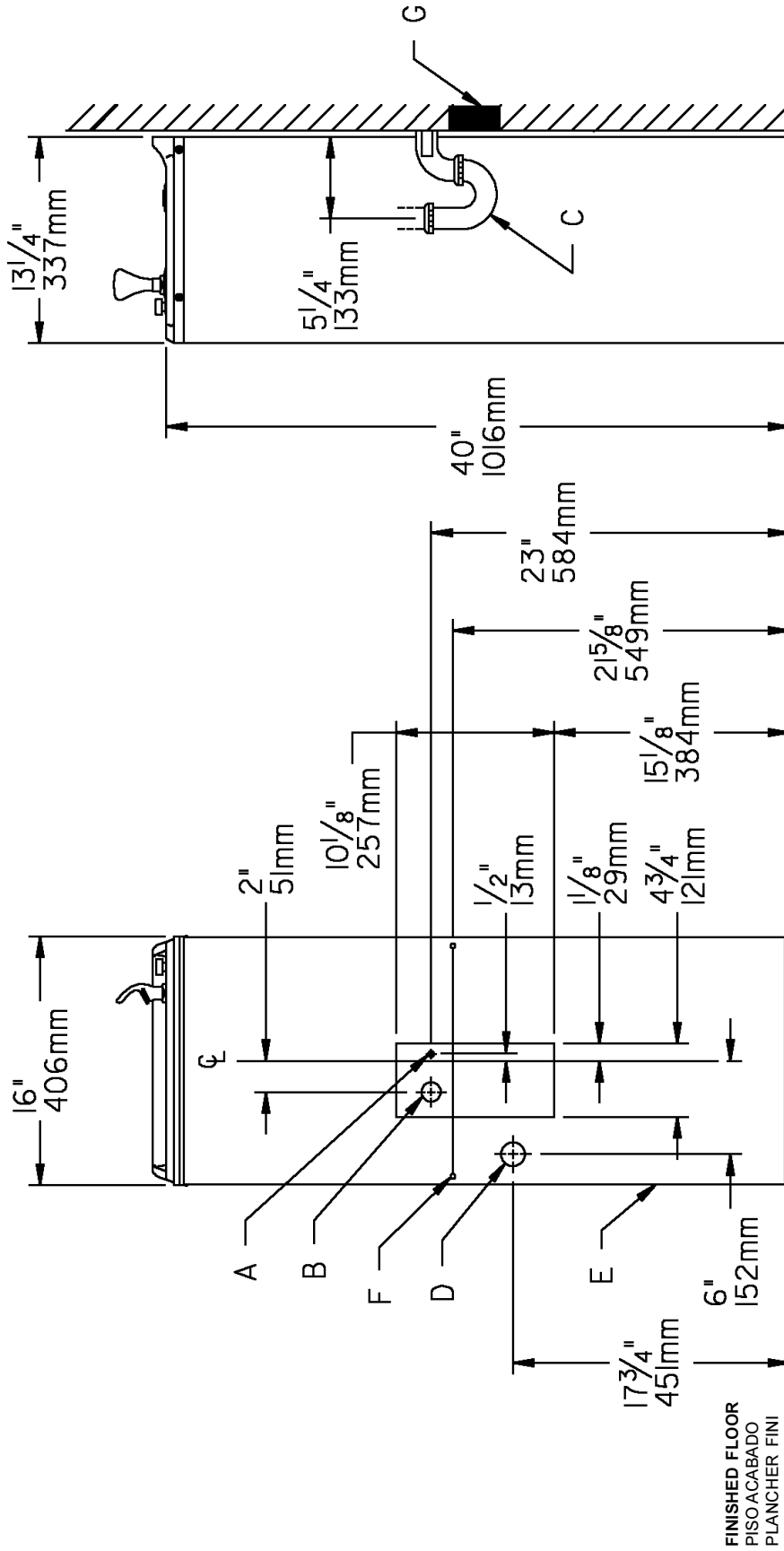


FIG. 2

LEGEND/LEYENDA/LÉGENDE
A = RECOMMENDED WATER SUPPLY LOCATION 3/8 O.D. UNPLATED COPPER TUBE CONNECT STUB 1-1/2 IN. (38mm) OUT FROM WALL SHUT OFF BY OTHERS
 SE RECOMIENDA UBICAR EL TUBO CORTO DE CONEXIÓN AL TUBO DE COBRE SIN CHAPAR DE 3/8" DE DIÁM. EXT. A 1-1/2" (38mm) FUERA DE LA LLAVE DE PASEO EN LA PARED COLOCADA POR TERCEROS.
 EMPLACEMENT RECOMMANDÉ D'ALIMENTATION EN EAU PAR TUBE EN CUIVRE NON PLAQUÉ DE 3/8 PO. (9.5 mm) D.E. CONNECTANT UNE TUYAUTERIE DE 1-1/2 PO. (38mm) DEPUIS LE ROBINET D'ARRÊT FOURNI PAR D'AUTRES.

B = RECOMMENDED LOCATION FOR WASTE OUTLET 1-1/4" O.D. DRAIN
 UBICACIÓN RECOMENDADA PARA EL DRENAJE DE SALIDA DE AGUA, DE 1 1/4" DE DIÁMETRO.
 EMPLACEMENT RECOMMANDÉ POUR LE DRAIN DE D.E. 1-1/4" DE SORTIE D'EAU.

C = 1-1/4 TRAP NOT FURNISHED**
 SIFON 1-1/4 NON FOURNI**

D = ELECTRICAL OUTLET LOCATION
 UBICACIÓN DE LA TOMA DE ELECTRICIDAD
 EMPLACEMENT DE LA PRISE DE COURANT

E = INSURE PROPER VENTILATION BY MAINTAINING 4" (102mm) (MIN.) CLEARANCE FROM CABINET LOUVERS TO WALL. ASIGURE UNA VENTILACIÓN ADECUADA MANTENIENDO UN ESPACIO E 4" (102mm) (MIN.) DE HOLGURA ENTRE LA REJILLA DE VENTILACIÓN DEL MUEBLE Y LA PARED. ASSUREZ-VOUS UNE BONNE VENTILATION EN GARDANT 4" (102mm) (MIN.) ENTRE LES ÉVÉNTELS DE L'ENCEINTE ET LE MUR.

F = WALL SCREW HOLES
 AGUJEROS DE TORNILLOS DE PARED
 TROUS DE VIS DU MUR

G = 2 X 4 BLOCKING
 BLOQUEO DE 2 X 4
 BLOC 2 X 4

PUSH BUTTON VALVE ADJUSTMENT

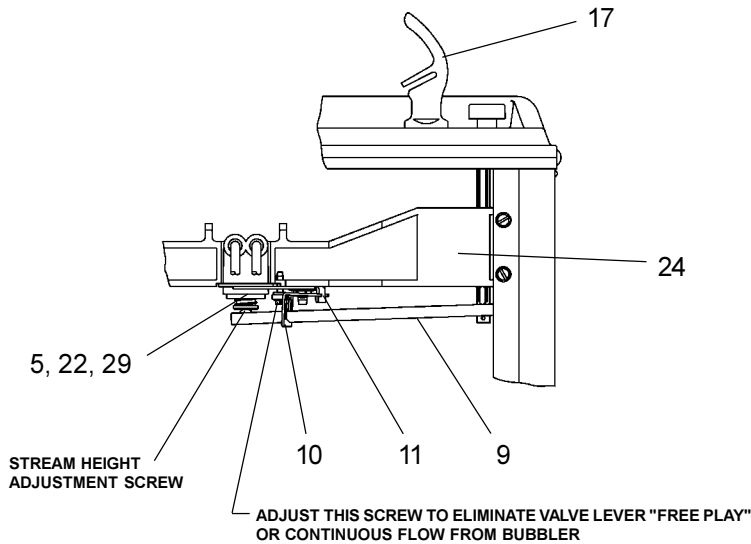


FIG. 3

CONDENSER WATER VALVE ADJUSTMENT

The condenser water valve is factory preset for a condenser water outlet temperature of 95° to 105° F. If actual temperature varies greatly from this, readjust water flow rate at the valve using the following procedures.

1. START UP COMPRESSOR

This can be accomplished by depressing the cooler push button (See Fig. 1 - Item 3). Keep water running during the entire readjustment procedure.

2. ADJUSTMENT CONDENSER WATER VALVE

Adjust valve by rotating adjustment stem. Rotating stem clockwise will decrease water flow. Counterclockwise rotation will increase water flow. Increasing water flow will result in a lower condenser outlet temperature, while decreasing water flow will result in a higher outlet temperature. Proper adjustment is attained when condenser outlet temperature is 95° to 105° F.

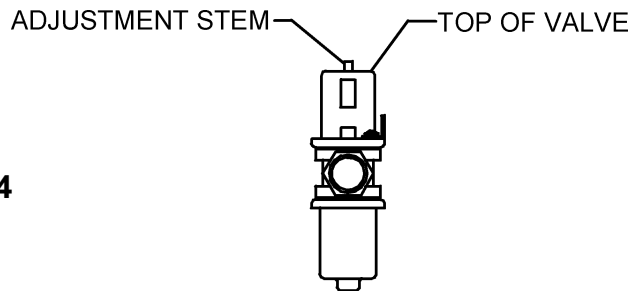
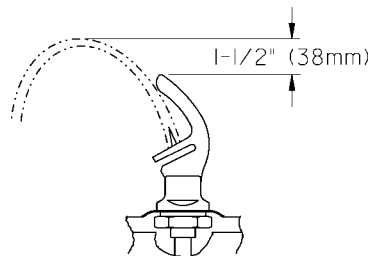


FIG. 4



CORRECT STREAM HEIGHT

FIG. 5

PARTS LIST 115V		
ITEM	PART NO.	DESCRIPTION
1	101452331870	Stem Bushing
2	101507531550	Push Button Stem
3	101453431640	Cap Push Button
4	102639931640	Drain Plug
5	15005C	Nut-Regulator Retaining
6	56159C	Bubbler Nipple
7	160270508640	Strainer Plate
8	28346C	Basin
9	26860C	Regulator Lever
10	26861C	Pivot Bracket
11	26862C	Regulator Retaining Bracket
12*	36220C	Compressor Service Pak
13	35797C	Overload
14	35803C	Relay
15	600793851550	Cold Control Assy
16	40136C	Valve - Wtr Temp
17	51544C	Bubbler
18	45340C	Electrical Box-Cold Control
19	66336C	Heat Exchanger
20	45347C	Electrical Box-Power Connection
21	45448C	Tailpipe Assy
22	50986C	Regulator Holder
23	70683C	Union - 1/4
24	55880C	Regulator Mounting Bracket
25	75588C	Nut - Slip Joint 1-1/4
26	55913C	Adaptor-Drain W/O Holes
27	55996C	Strainer
28	601418151550	Condenser Assy
29	61314C	Regulator
30	66202C	Drier
31	66505C	Evaporator
32	70682C	Tee - 1/4 x 1/4 x 1/4
33	75494C	Check Valve
34	75561C	Elbow - 3/8
35	401536242830	Right Panel
36	401536342830	Left Panel
37	56092C	Poly Tubing (Cut To Length)
38	28368C	Brkt - Conduit Support
39	75589C	Gasket
40	100322740560	Washer
41	100147140560	Gasket - Drain
NS	401507442830	Front Panel

*INCLUDES RELAY & OVERLOAD. IF UNDER WARRANTY, REPLACE WITH SAME COMPRESSOR USED IN ORIGINAL ASSEMBLY.

NOTE: All correspondence pertaining to any of the above water coolers or orders for repair parts MUST include Model No. and Serial No. of cooler, name and part number of replacement part.

Halsey Taylor
 2222 CAMDEN COURT
 OAK BROOK, IL 60523
 630.574.3500

PRINTED IN U.S.A.

www.DrinkingFountainDoctor.com

800-518-5388