

INSTALLATION, OPERATION AND MAINTENANCE INSTRUCTIONS

Bi-Level AquaAccess Less Refrigeration Barrier Free, Wall Mounted Drinking Fountain



A112100F / A112100B / A112400F / A112400B

**TECHNICAL ASSISTANCE TOLL FREE TELEPHONE NUMBER:
1.800.591.9360**

Technical Assistance Fax: 1.626.855.4894

NOTES TO INSTALLER:

1. Please leave this documentation with the owner of the fixture when finished.
2. Please read this entire booklet before beginning the installation.
3. Check your installation for compliance with plumbing, electrical and other applicable codes.

LIMITED WARRANTY - UNITED STATES & CANADA

Acorn Aqua warrants that its products are free from defects in material or workmanship under normal use and service for a period of one year from date of shipment. Acorn's liability under this warranty shall be discharged solely by replacement or repair of defective material, provided Acorn is notified in writing within one year from date of shipment, F.O.B. Industry, California.

This warranty does not cover installation or labor charges and does not apply to materials, which have been damaged by other causes such as mishandling or improper care or abnormal use. The repair or replacement of the defective materials shall constitute the sole remedy of the Buyer and the sole remedy of Acorn under this warranty. Acorn shall not be liable under any circumstances for incidental, consequential or direct charges caused by defects in the materials, or any delay in the repair or replacement thereof. This warranty is in lieu of all other warranties expressed or implied. Product maintenance instructions are issued with each unit and disregard or non-compliance with these instructions will constitute an abnormal use condition and void the warranty. Stainless steel must be protected on jobsites during construction and must be properly maintained after the water has been introduced into the water cooler or drinking fountain, or Acorn's limited warranty is void.

LIMITED EXPORT WARRANTY – One year on parts only.

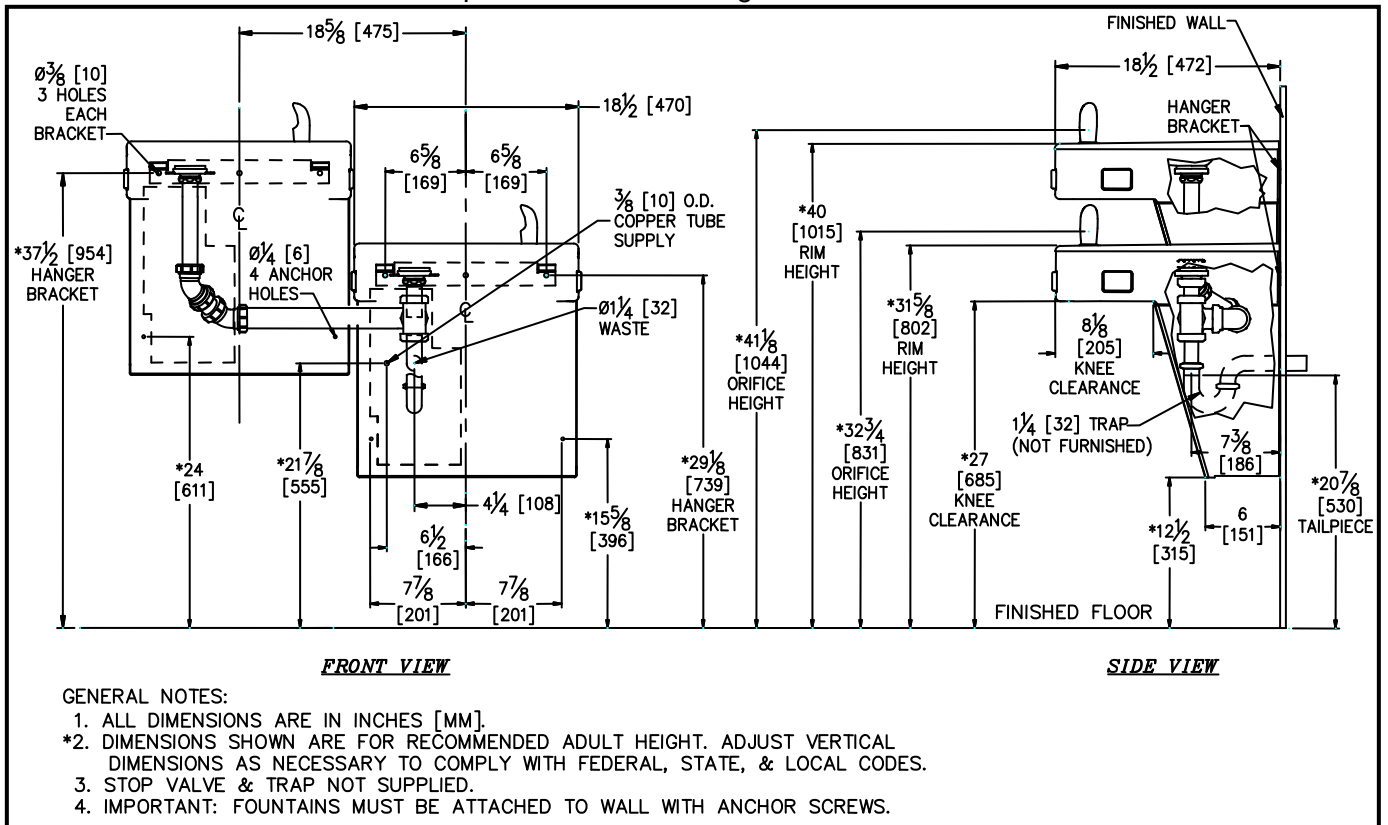


ACORN AQUA
P.O. Box 3527
City of Industry, CA 91744-0527
United States of America
www.acornaqua.com

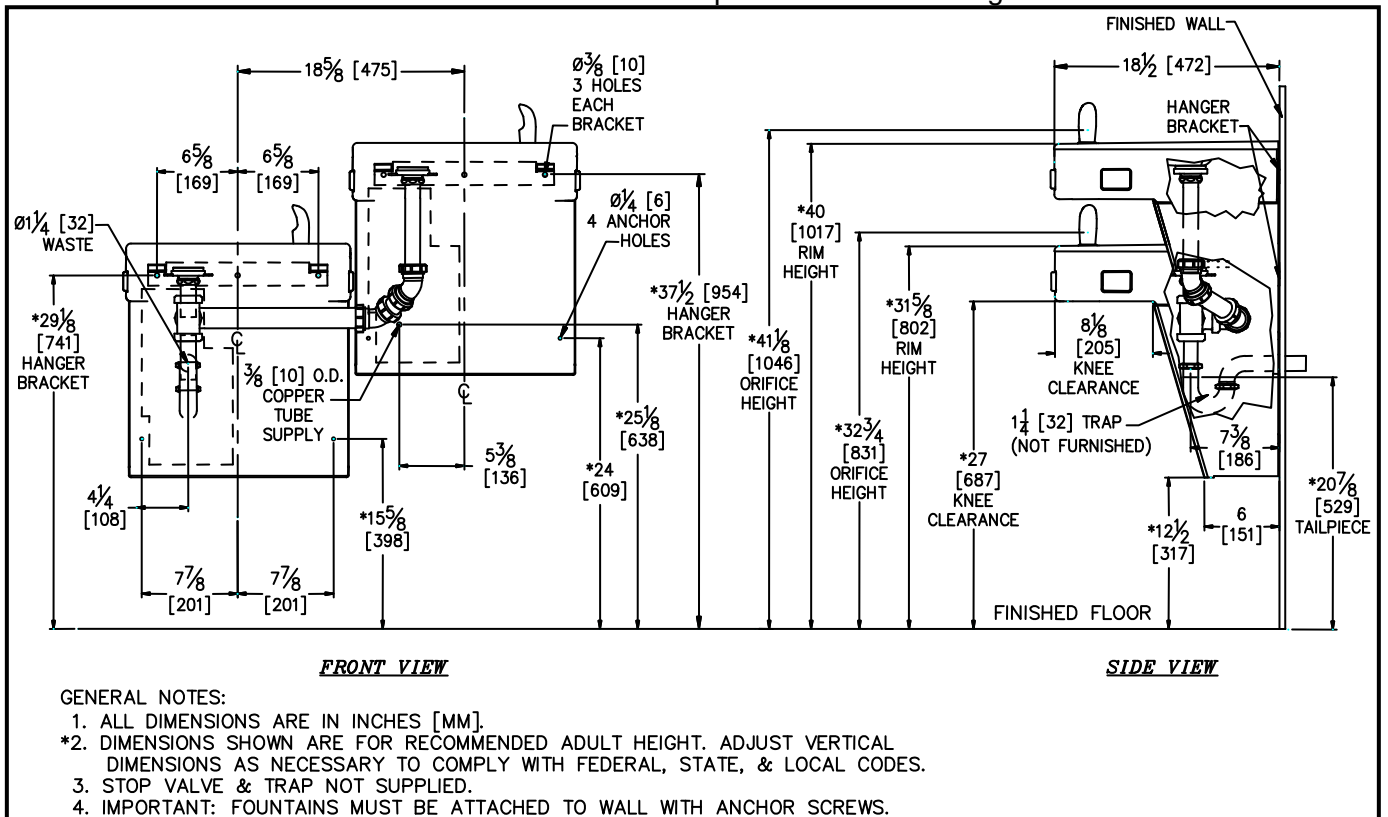
ROUGHING-IN AND DIMENSIONAL DRAWING

Prior to roughing consult with local, state, and federal codes for proper mounting height.

A112100F & A112400B Bi-Level AquaAccess Less Refrigeration



A112100F-RBL & A112408B-RBL Reverse Bi-Level AquaAccess Less Refrigeration



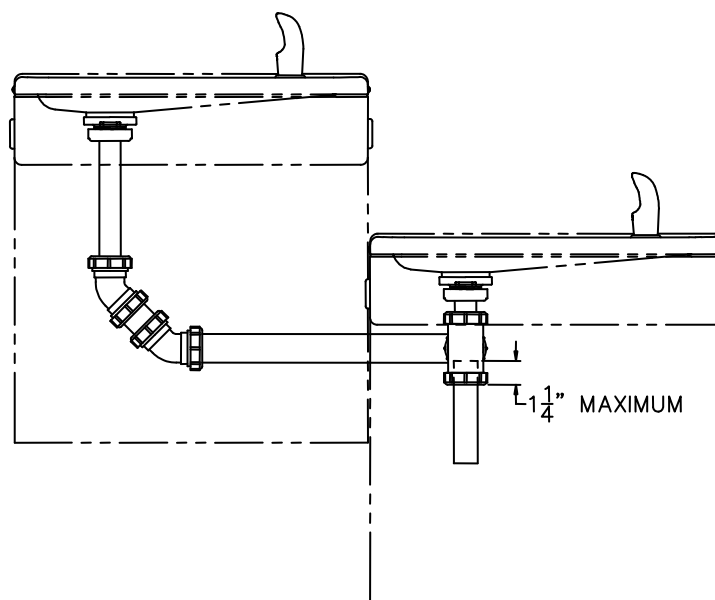
NOTES: Dimensions shown in Roughing-In and Dimensional Drawings on previous page are for Adult ADA compliant installation. For Child ADA compliant parallel approach installation, decrease height of installation by 3 inches. Provide clear floor space as required. Adjust vertical dimensions as required to comply with federal, state, and local codes.

IMPORTANT:

1. Waste P-Trap and Water Supply Service Angle Stop Valve to be supplied by others in accordance with local codes.
2. Water supply is 3/8" Outer Diameter copper tube. Waste is 1-1/4" Outer Diameter.
3. Completely flush supply lines of all foreign debris before connecting to fixture. Optional water filter is available should there be problems from the water supply with taste, odor, color, or sediment.
4. Do **NOT** solder tubes inserted into the strainer as damage to the o-ring may result.
5. All burrs must be removed from outside of cut tubes before inserting into strainer or other components.
6. **WARNING:** Warranty is voided if installation is not made following current Acorn Aqua installation instructions and if components are assembled to the fixture that are not approved by Acorn Aqua.
7. Fixture operates within water pressure range of 20 to 105 psig. Acorn Aqua will not warranty fixtures damaged when connected to supply lines with flow pressure lower than 20 psig or higher than 105 psig. A pressure regulator must be furnished by others on supply line if inlet pressure is greater than 105 psig.

INSTALLATION:

1. Mount hanger brackets to wall horizontally level as shown in Roughing-In and Dimensional Drawing. **Note:** Adjust height of brackets if bubbler outlet height is required to vary from that shown. **WARNING:** Hanger brackets **MUST** be securely anchored to wall with fasteners sufficient to support weight of fountain. If wall can not provide adequate support, order and install optional fixture support carrier.
2. Remove the bottom covers from the drinking fountains and set aside in a safe place. Save the screws in a secure location for re-use in later stages of installation.
3. Hang the drinking fountains on the hanger brackets, ensuring the brackets tabs engage **AND** seat in the slots in the back of the drinking fountains. Verify drinking fountains are level, left to right **AND** front to back. **Caution:** The bubbler streams may be adversely affected if units are not square and level. Bottom of unit and louvers should be used as reference to verify units are square and plumb.
4. Anchor the drinking fountains to the wall at the other mounting points in each base. Shim lower rear mounting points to level unit if necessary.
5. Thoroughly flush the 3/8" O.D. supply line and then connect water cooler to water supply angle stop valve (by others) with supplied 3/8" O.D. copper tube.
6. Use waste fittings supplied to connect waste tailpiece from upper unit to waste tailpiece of lower unit and then make up 1-1/4" O.D. p-trap waste connection. Do not insert 1-1/4" O.D. tailpiece into bottom of tee more than 1-1/4". Waste p-trap by others.



START UP:

1. Before assembling bottom covers to drinking fountains, but after thoroughly flushing supply line and connecting it to fixture, turn on building water supply and check all connections for leaks.
2. Air within the drinking fountains or the structure supply piping will cause an irregular bubbler outlet stream until purged out by incoming water. Covering the bubbler with a clean cup (or similar object) is recommended when first activating drinking fountain to prevent excessive splashing. Depress push button until steady water stream is achieved.
3. If water flow requires adjustment, insert a slotted narrow blade screwdriver in the hole centered on the underside of the fixture in the knee clearance area up to the flow regulator. Turning clockwise will increase flow and turning counterclockwise will decrease flow.
4. Recheck all water and drain connections with water flowing through system.
5. Assemble the bottom covers to the drinking fountains with the screws furnished.

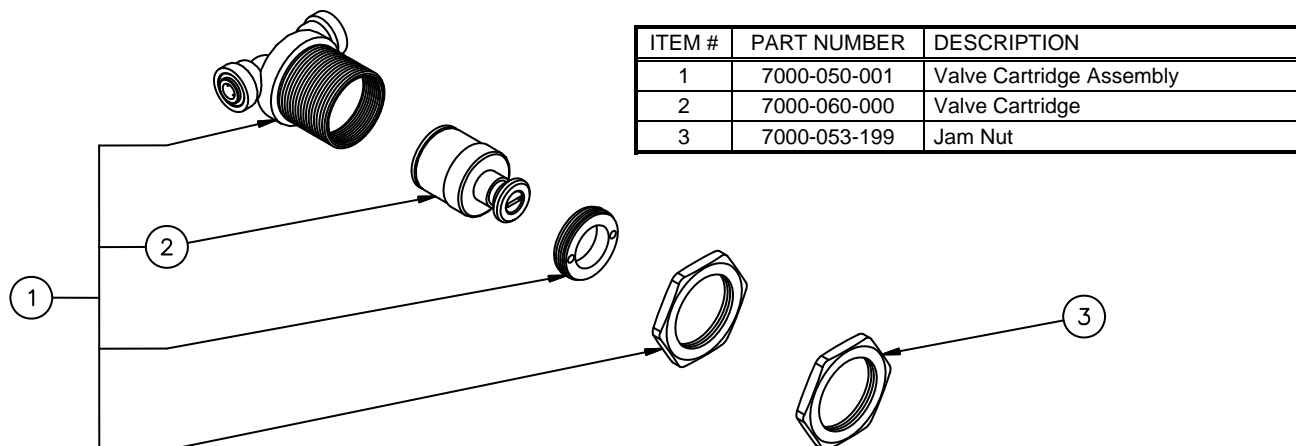
TROUBLE SHOOTING:

1. No Water Flow
 - a. Check water main supply – open.
 - b. Inspect stop (by others) – open and no debris.
 - c. Inspect in-line strainer for debris – clean.
 - d. Replace valve cartridge.
2. Water Drips / Will Not Shut Off
 - a. Replace valve cartridge.
3. Reduced Water Flow
 - a. Adjust the valve flow rate using a slotted narrow blade screwdriver in cartridge and turning clockwise to increase flow and counterclockwise to decrease flow.
 - b. Check water main supply for 20 psig minimum flow pressure.
 - c. Inspect stop (by others) – open and no debris.
 - d. Inspect in-line strainer for debris – clean.
 - e. Inspect bubbler for debris – clean.
 - f. Inspect all tubing for twists or kinks.
 - g. Replace valve cartridge.
4. Splashing Bubbler Stream Adjustments
 - a. Bubbler Stream – Bubbler can be rotated slightly to direct the stream backwards or forwards. Adjust the stream to minimize splashing. Splashing may occur from bubbler stream if the unit is not level. Shim lower mounting points, if necessary, to level cooler.

CLEANING & MAINTENANCE GUIDE:

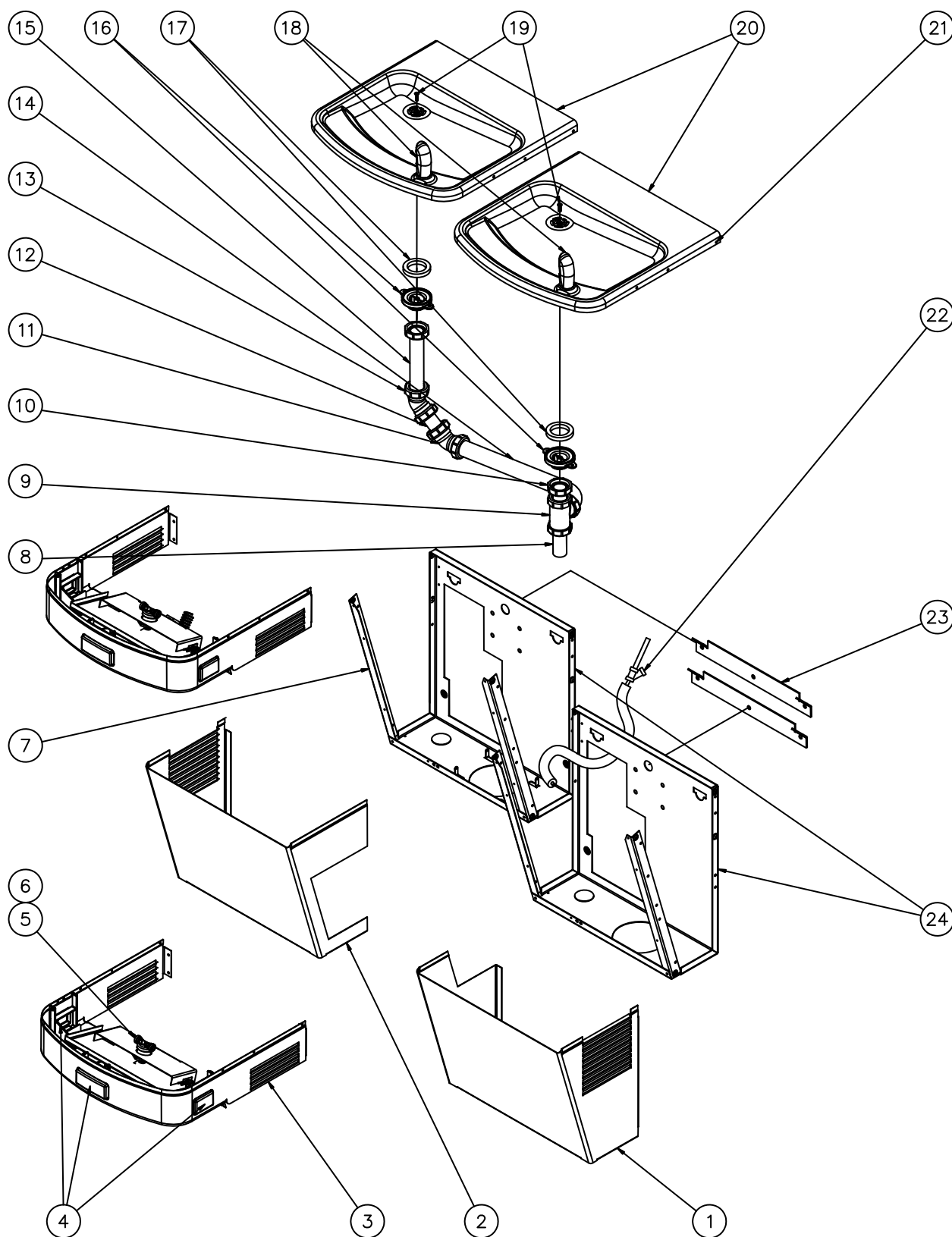
1. Periodically remove access panels and clean out in-line strainer.
2. Do NOT use harsh chemicals, abrasive or petroleum based cleaners. Use of these will void the Acorn Aqua warranty.
3. Exterior panels can be cleaned using mild household detergents or warm, soapy water. Extra care must be used cleaning chrome plated items and mirror finished stainless steel. They can scratch easily and should only be cleaned using a clean, soft cloth and mild soap with water or a mild glass cleaner.

CARTRIDGE VALVE PARTS BREAKDOWN



Repairs must be made with Acorn Aqua parts only. Please order through your local representative or distributor. The phone number to locate your local representative is 1.800.591.9360.

DRINKING FOUNTAIN PARTS BREAKDOWN DRAWING



Standard A112100F & A112100B Bi-Level AquaAccess Less Refrigeration shown.

NOTE: See next page for table of part numbers corresponding to drawing above.



DRINKING FOUNTAIN PARTS BREAKDOWN TABLE

NOTE: See previous page for fixture drawing corresponding to table of part numbers below.

ITEM #	PART NUMBER	DESCRIPTION	ITEM #	PART NUMBER	DESCRIPTION
1	7003-030-020	Bi-Level Right Lower Cabinet - Granite	5	7000-050-001	Valve Assembly
	7003-030-015	Bi-Level Right Lower Cabinet - "2" Dark Bronze	6	7000-060-000	Valve Cartridge
	7003-030-016	Bi-Level Right Lower Cabinet - "3" Gold	7	7003-007-199	Support Strut
	7003-036-299	Bi-Level Right Lower Cabinet - "4" Stainless Steel	8	7000-032-299	1-1/4" O.D. Waste Tailpiece
	7003-033-020	RBL Right Upper Cabinet - Granite	9	7003-070-000	Compression Tee
	7003-033-015	RBL Right Upper Cabinet - "2" Dark Bronze	10	7000-032-001	2-3/4" Long Lower Waste 1-1/4" O.D. Tailpiece Assembly
	7003-033-016	RBL Right Upper Cabinet - "3" Gold	11	7003-072-000	1-1/2" x 1-1/2" Compression 45 Degree Elbow
	7003-039-299	RBL Right Upper Cabinet - "4" Stainless Steel	12	1758-043-299	1-1/2" O.D. x 3" Long Drain Tube
2	7003-031-020	Bi-Level Left Upper Cabinet - Granite	13	7003-073-000	1-1/4" x 1-1/2" Compression 45 Degree Elbow
	7003-031-015	Bi-Level Left Upper Cabinet - "2" Dark Bronze	14	1758-043-199	1-1/2" O.D. x 15" Waste Arm
	7003-031-016	Bi-Level Left Upper Cabinet - "3" Gold	15	7000-019-001	Upper Waste 1-1/4" O.D. Tailpiece Assembly
	7003-037-299	Bi-Level Left Upper Cabinet - "4" Stainless Steel	16	7000-005-199	Drain Adapter
	7003-032-020	RBL Left Lower Cabinet - Granite	17	7000-006-000	Flat Drain Adapter Gasket
	7003-032-015	RBL Left Lower Cabinet - "2" Dark Bronze	18	7000-410-002	Standard Flexible Gray Bubbler Assembly
	7003-032-016	RBL Left Lower Cabinet - "3" Gold		7000-002-001	"B" Option Brass Bubbler Assembly
	7003-038-299	RBL Left Lower Cabinet - "4" Stainless Steel	19	0152-040-000	Allen Flat Head Screw
3	7003-005-020	Apron Assembly - Granite	20	7003-001-199	AquaAccess Basin Top
	7003-005-015	Apron Assembly - "2" Dark Bronze	21	0124-051-000	Allen Pan Head Screw
	7003-005-016	Apron Assembly - "3" Gold	22	7000-022-000	"Y" Strainer
	7003-024-001	Apron Assembly - "4" Stainless Steel	23	7003-014-199	Hanger Bracket
4	7003-068-001	Gray Push Button Replacement Kit	24	7003-003-199	Back Panel

Repairs must be made with Acorn Aqua parts only. Please order through your local representative or distributor. The phone number to locate your local representative is 1.800.591.9360.