

INSTALLATION, OPERATION AND MAINTENANCE INSTRUCTIONS

Non-Refrigerated Universal Bi-Level AquaAccess Barrier Free, Wall Mounted Water Cooler



Alternate Configuration

Standard Configuration

A112100F-UBL / A112100B-UBL / A112400F-UBL / A112400B-UBL

TECHNICAL ASSISTANCE TOLL FREE TELEPHONE NUMBER:

1.800.591.9360

Technical Assistance Fax: 1.626.855.4894

NOTES TO INSTALLER:

1. Please leave this documentation with the owner of the fixture when finished.
2. Please read this entire booklet before beginning the installation.
3. Check your installation for compliance with plumbing, electrical and other applicable codes.

LIMITED WARRANTY - UNITED STATES & CANADA

Acorn Aqua warrants that its products are free from defects in material or workmanship under normal use and service for a period of one year from date of original shipment or for 18 months after the date of shipment from the factory, whichever comes first. Acorn's liability under this warranty shall be discharged solely by replacement or repair of defective material, provided Acorn is notified in writing within one year from date of shipment, F.O.B. Industry, California.

This warranty does not cover installation or labor charges and does not apply to materials, which have been damaged by other causes such as mishandling or improper care or abnormal use. The repair or replacement of the defective materials shall constitute the sole remedy of the Buyer and the sole remedy of Acorn under this warranty. Acorn shall not be liable under any circumstances for incidental, consequential or direct charges caused by defects in the materials, or any delay in the repair or replacement thereof. This warranty is in lieu of all other warranties expressed or implied. Product maintenance instructions are issued with each unit and disregard or non-compliance with these instructions will constitute an abnormal use condition and void the warranty. Stainless steel must be protected on jobsite during construction and must be properly maintained after the water has been introduced into the water cooler or drinking fountain, or Acorn's limited warranty is void.

LIMITED EXPORT WARRANTY - One year on parts only.

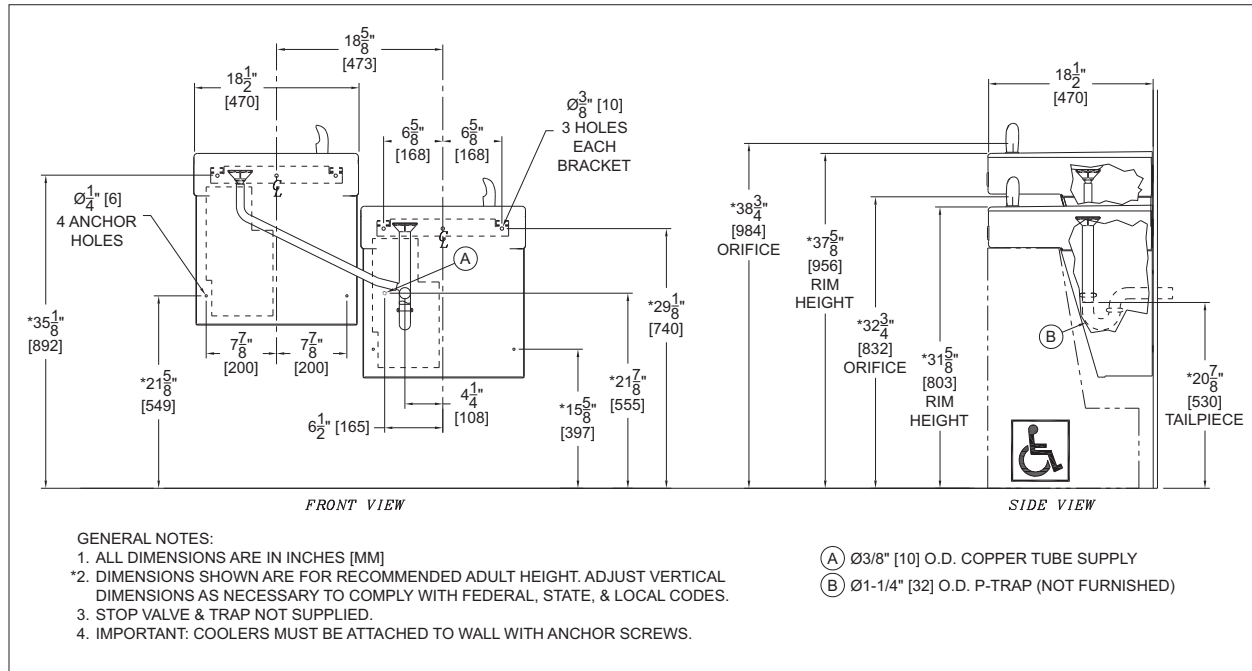


ACORN AQUA
P.O. Box 3527
City of Industry, CA 91744-0527
United States of America
www.acornaqua.com

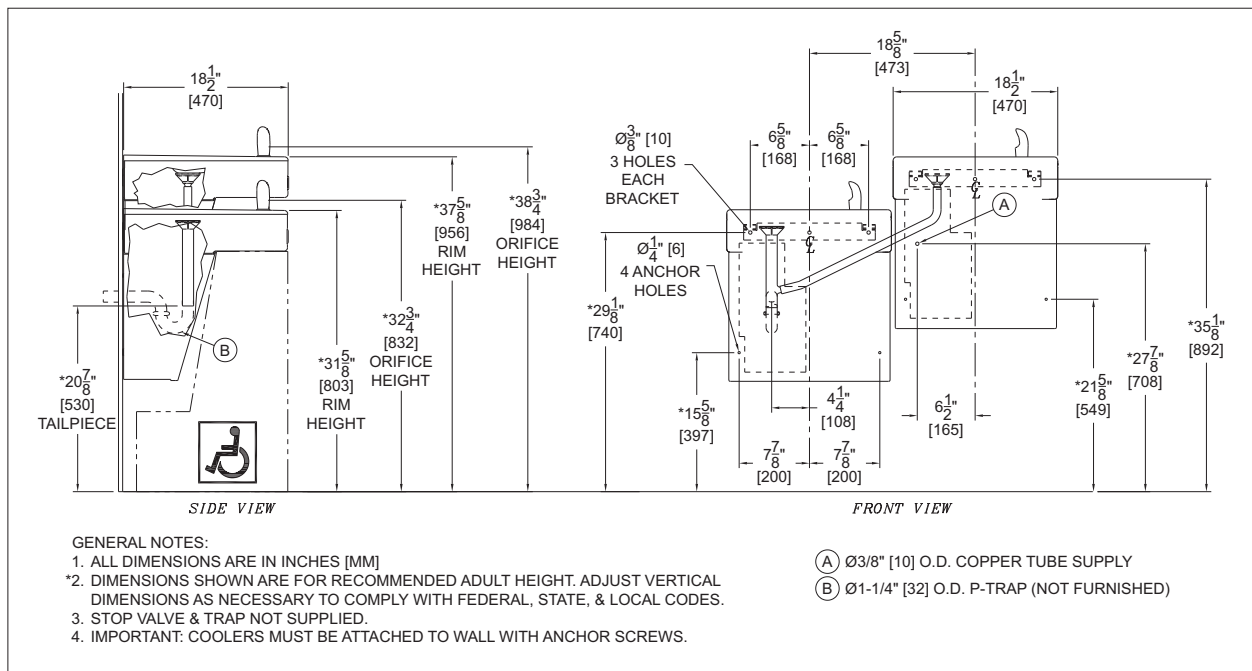
ROUGHING-IN AND DIMENSIONAL DRAWING

Prior to roughing-in consult with local, state, and federal codes for proper mounting height.

A112100F/B & A112400F/B NON-REFRIGERATED UNIVERSAL BI-LEVEL AQUAACCESS (Standard Configuration Left Unit High with Right Unit Low)



A112100F/B & A112400F/B NON-REFRIGERATED UNIVERSAL BI-LEVEL AQUAACCESS (Alternate Configuration Left Unit High with Right Unit Low)



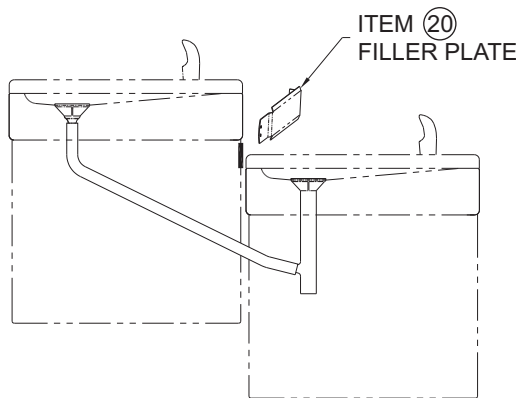
NOTES:

1. Dimensions shown for ADA compliant installation. For Child ADA 2010 compliant parallel approach installation, decrease height of * dimensions by 2-3/4".

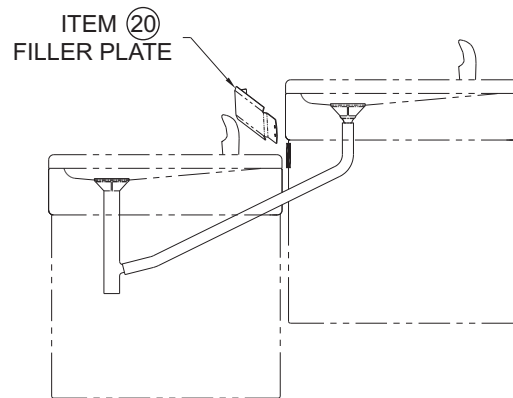
2. Provide cleat floor space as required. Adjust vertical dimensions as required to comply with federal state, and local codes.

IMPORTANT:

1. Waste P-Trap and Water Supply Service Angle Stop Valve to be supplied by others in accordance with local codes.
2. Water supply is 3/8" Outer Diameter copper tube. Waste is 1-1/4" Outer Diameter.
3. Completely flush supply lines of all foreign debris before connecting to fixture. Water cooler designed to not affect taste, odor, color, or sediment. Optional water filter (Wf1) is available should any of these problems arise from the water supply.
4. Do **NOT** solder tubes inserted into the strainer as damage to the o-ring may result.
5. All burrs must be removed from outside of cut tubes before inserting into strainer or other components.
6. **WARNING:** Warranty is voided if installation is not made following current Acorn Aqua installation instructions and if components are assembled to the fixture that are not approved by Acorn Aqua.
7. Fixture operates within water pressure range of 20 to 105 psig. Acorn Aqua will not warranty fixtures damaged when connected to supply lines with flow pressure lower than 20 psig or higher than 105 psig. A pressure regulator must be furnished by others on supply line if inlet pressure is greater than 105 psig.



STANDARD WASTE CONFIGURATION



ALTERNATE WASTE CONFIGURATION

INSTALLATION:

Choose configuration; Remove and reinstall filler plate, item (20), reverse drain assembly if required.

1. Mount hanger brackets to wall horizontally level as shown in Roughing-In and Dimensional Drawing. **Note:** Adjust height of brackets if bubbler outlet height is required to vary from that shown. **WARNING:** Hanger brackets **MUST** be securely anchored to wall with fasteners sufficient to support 3 times weight of fountain. If wall can not provide adequate support, order and install optional fixture support carrier.
2. Remove the bottom covers from the drinking fountains and set aside in a safe place. Save the screws in a secure location for re-use in later stages of installation.
3. Hang the drinking fountains on the hanger brackets, ensuring the brackets tabs engage **AND** seat in the slots in the back of the drinking fountains. Verify drinking fountains are level, left to right **AND** front to back from bottom of unit. **Caution:** The bubbler streams may be adversely affected if units are not square and level. Bottom of unit and louvers should be used as reference to verify units are square and plumb.
4. Anchor the drinking fountains to the wall at the other mounting points in each base. Shim lower rear mounting points to level unit if necessary.
5. Thoroughly flush the 3/8" O.D. supply line and then connect water cooler to water supply angle stop valve (by others) with supplied 3/8" O.D. copper tube.
6. Use waste fittings supplied to connect waste tailpiece from upper unit to waste tailpiece of lower unit and then make up 1-1/4" O.D. p-trap waste connection. Do not insert 1-1/4" O.D. tailpiece into bottom of tee more than 1-1/4". Waste p-trap by others.

START UP:

1. Before assembling bottom covers to drinking fountains, but after thoroughly flushing supply line and connecting it to fixture, turn on building water supply and check all connections for leaks.
2. Air within the drinking fountains or the structure supply piping will cause an irregular bubbler outlet stream until purged out by incoming water. Covering the bubbler with a clean cup (or similar object) is recommended when first activating drinking fountain to prevent excessive splashing. Depress push button until steady water stream is achieved.
3. If water flow requires adjustment, insert a slotted narrow blade screwdriver in the hole centered on the underside of the fixture in the knee clearance area up to the flow regulator. Turning clockwise will increase flow and turning counterclockwise will decrease flow.
4. Recheck all water and drain connections with water flowing through system.
5. Assemble the bottom covers to the drinking fountains with the screws furnished.

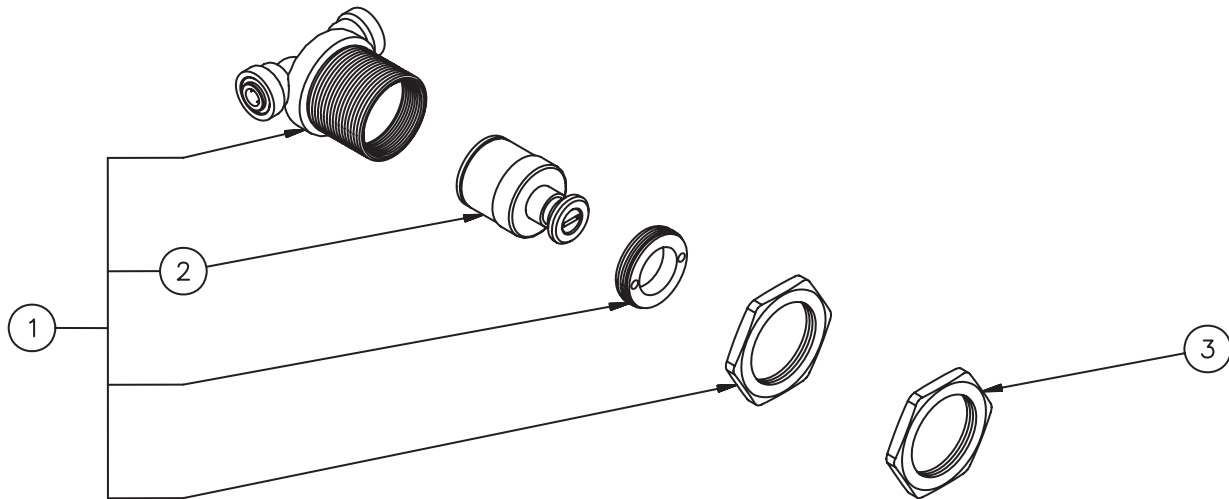
TROUBLE SHOOTING:

1. No Water Flow
 - a. Check water main supply – open.
 - b. Inspect stop (by others) – open and no debris.
 - c. Inspect in-line strainer for debris – clean.
 - d. Replace valve cartridge.
2. Water Drips / Will Not Shut Off
 - a. Replace valve cartridge.
3. Reduced Water Flow
 - a. Adjust the valve flow rate using a slotted narrow blade screwdriver in cartridge and turning clockwise to increase flow and counterclockwise to decrease flow.
 - b. Check water main supply for 20 psig minimum flow pressure.
 - c. Inspect stop (by others) – open and no debris.
 - d. Inspect in-line strainer for debris – clean.
 - e. Inspect bubbler for debris – clean.
 - f. Inspect all tubing for twists or kinks.
 - g. Replace valve cartridge.
4. Splashing Bubbler Stream Adjustments
 - a. Bubbler Stream – Bubbler can be rotated slightly to direct the stream backwards or forwards. Adjust the stream to minimize splashing. Splashing may occur from bubbler stream if the unit is not level. Shim lower mounting points, if necessary, to level cooler.

CLEANING & MAINTENANCE GUIDE:

1. Periodically remove access panels and clean out in-line strainer.
2. Do NOT use harsh chemicals, abrasive or petroleum based cleaners. Use of these will void the Acorn Aqua warranty.
3. Exterior panels can be cleaned using mild household detergents or warm, soapy water. Extra care must be used cleaning chrome plated items and mirror finished stainless steel. They can scratch easily and should only be cleaned using a clean, soft cloth and mild soap with water or a mild glass cleaner.

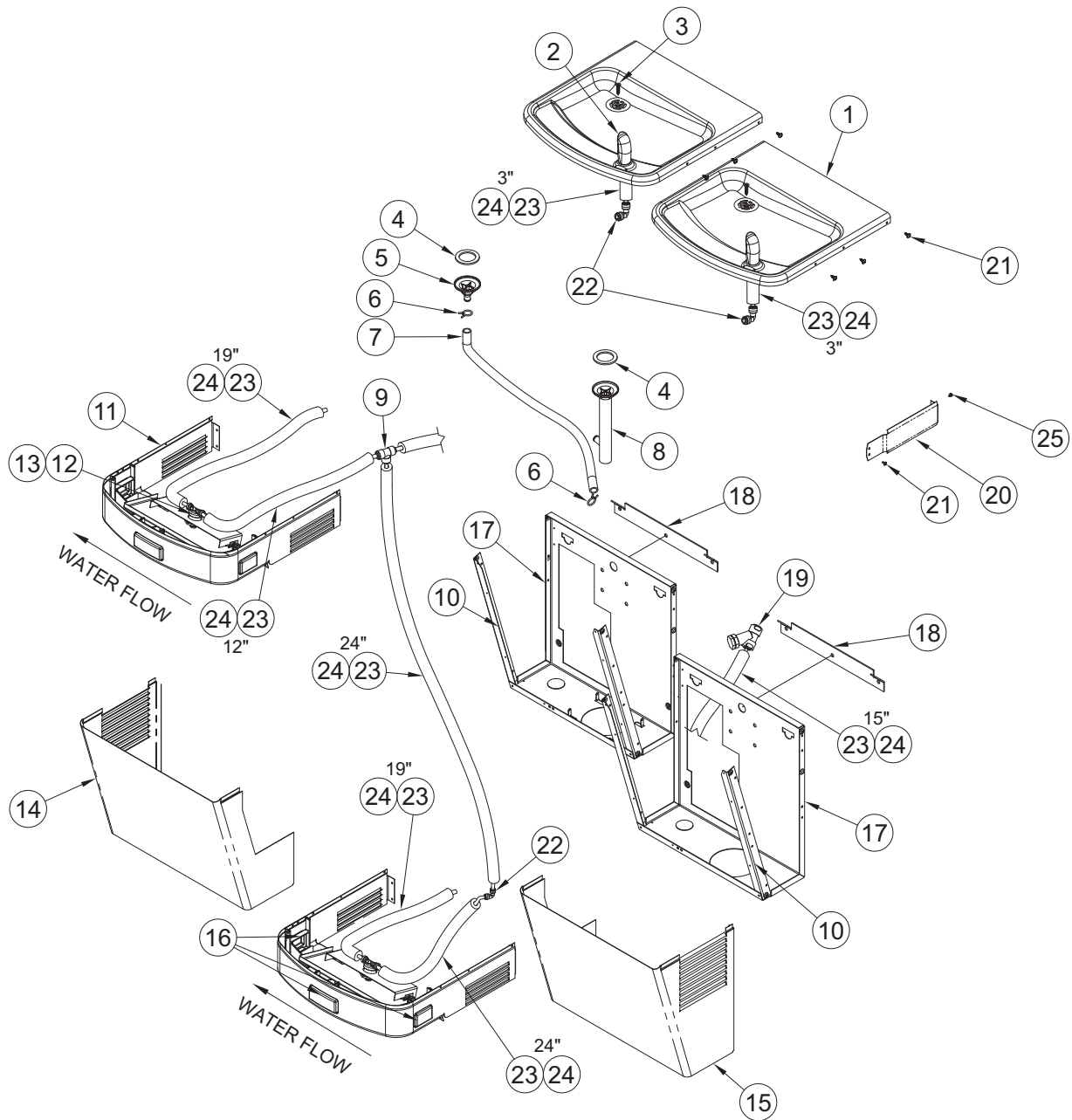
CARTRIDGE VALVE PARTS BREAKDOWN



ITEM #	PART NUMBER	DESCRIPTION
1	7000-050-001	Valve Cartridge Assembly
2	7000-060-000	Valve Cartridge
3	7000-053-199	Jam Nut

Repairs must be made with Acorn Aqua parts only. Please order through your local representative or distributor. The phone number to locate your local representative is 1.800.591.9360.

DRINKING FOUNTAIN BREAKDOWN DRAWING



Standard A112100F/B-UBL & A112400F/B-UBL Non-Refrigerated AquaAccess shown.

NOTE: See next page for table of part numbers corresponding to drawing above.

DRINKING FOUNTAIN PARTS BREAKDOWN TABLE

NOTE: See previous page for fixture drawing corresponding to table of part numbers below.

ITEM	PART NUMBER	DESCRIPTION
1	7003-001-199	BASIN TOP
2	7000-410-002	FLEXIBLE GRAY BUBBLER ASSEMBLY
	7000-002-001	CHROME PLATED BRASS BUBBLER ASSEMBLY
	7000-012-001	STAINLESS STEEL BUBBLER ASSEMBLY
3	0124-032-000	#8 x 3/4" LG PHIL FLAT HD SELF TAPPING SCREW
4	7000-006-000	FLAT DRAIN GASKET
5	7003-182-000	DRAIN ADAPTER
6	7003-184-000	7/8" SPRING HOSE CLAMP
7	7003-183-199	DRAIN HOSE
8	7003-181-000	Ø1-1/4" DRAIN TUBE
9	1895-710-000	1/4" "T" PUSH-IN FITTING
10	7003-007-199	SUPPORT STRUT
11	7003-005-020	APRON ASSEMBLY - GRANITE
	7003-024-001	APRON ASSEMBLY "4" - STAINLESS STEEL
12	7000-050-001	VALVE ASSEMBLY
13	7000-060-000	VALVE CARTRIDGE
14	7003-817-020	LEFT COVER - GRANITE
	7003-823-299	LEFT COVER - STAINLESS STEEL
15	7003-818-020	RIGHT COVER - GRANITE
	7003-824-299	RIGHT COVER - STAINLESS STEEL
16	7003-068-001	GRAY PUSHBUTTON REPLACEMENT KIT
17	7003-003-199	BACK PANEL
18	7003-014-199	HANGER BRACKET
19	7000-022-000	"Y" STRAINER
20	7003-819-020	FILLER PLATE - GRANITE
	7003-825-199	FILLER PLATE - STAINLESS STEEL
21	0124-051-000	#8 x 3/8" LG ALLEN PAN HEAD SCREW
22	1895-708-000	1/4" ELBOW PUSH-IN CONNECTOR
23	2169-000-000	1/4" O.D. TUBING
24	7012-055-000	TUBE INSULATION
25	0124-050-000	#8 x 3/8" LG PHILLIPS PAN HEAD SCREW

Repairs must be made with Acorn Aqua parts only. Please order through your local representative or distributor. The phone number to locate your local representative is 1.800.591.9360.