

NOTE:
STANDARD BI-LEVEL INSTALLATION IS SHOWN. FOR OPTIONAL -RBL REVERSE BI-LEVEL CONFIGURATION, THE INSTALLATION IS OPPOSITE TO THAT SHOWN.

BUBBLER CONNECTION DETAIL

FRONT ROUGH-IN VIEW

32 3/4" ORIFICE HEIGHT ABOVE FINISHED FLOOR FOR 27" ADA KNEE CLEARANCE. ADJUST AS REQUIRED.

INSTALLATION INSTRUCTIONS:

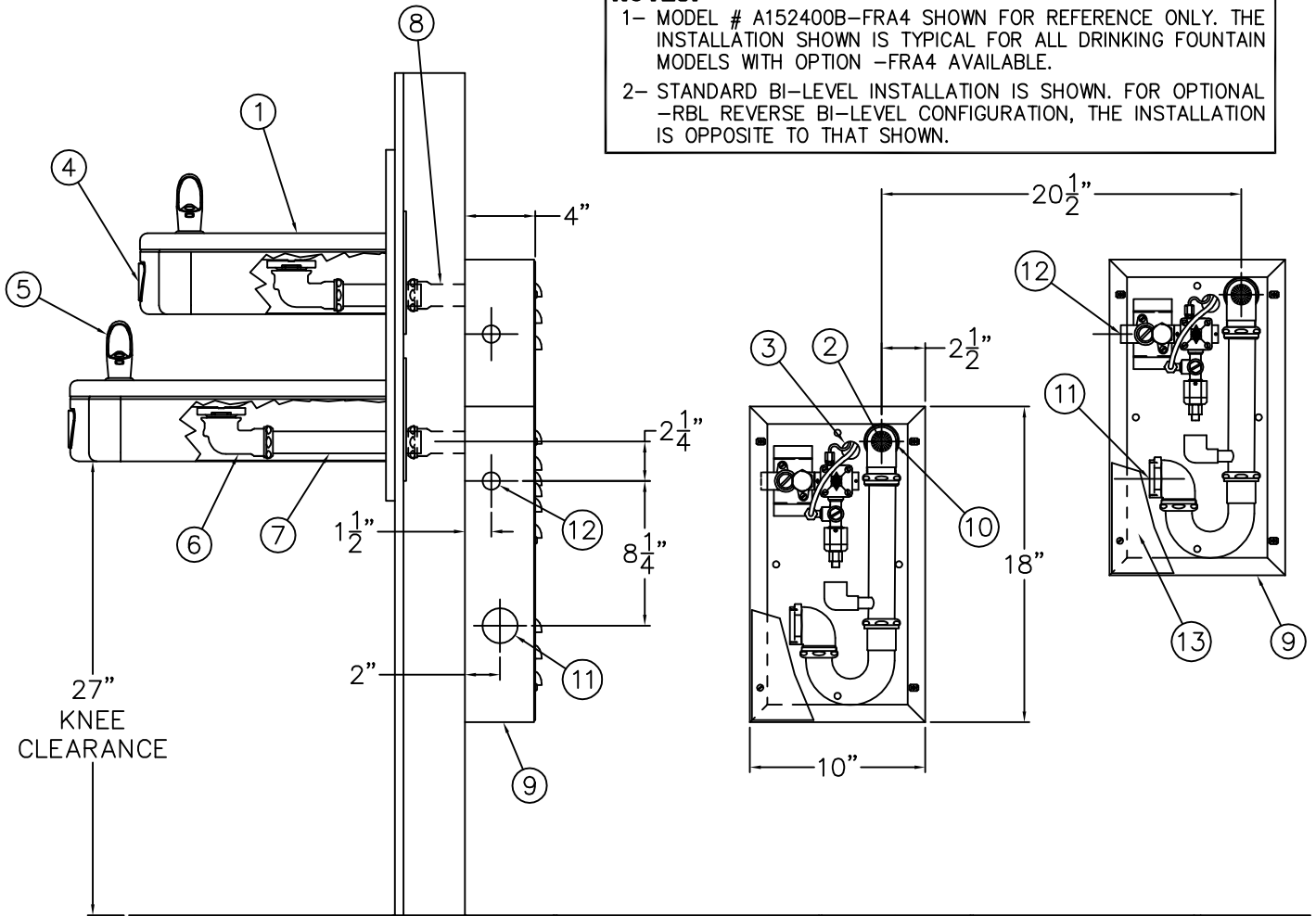
- A- REFER TO DRAWING # 9938-331-001 FOR THE INSTALLATION INSTRUCTIONS OF THE FREEZE RESISTANT VALVE ASSEMBLIES. REFER TO DRAWING # 9938-376-002 TO INSTALL STANDARD SUPPLIED WALL MOUNTING PLATE ①.
- B- PROVIDE THRU THE WALL PENETRATIONS FOR 1-1/4" OUTER DIAMETER ELBOW WASTE OUTLETS ② AND 1" DIA. THRU WALL PENETRATIONS ③ FOR THE AIR AND SUPPLY TUBING. REQUIRED THRU WALL INSULATION AND CONDUIT BY OTHERS.
- C- CAREFULLY REMOVE FIXTURES ④ AND COMPONENTS FROM THE PACKAGING PREVENTING SCRATCHING AND DAMAGE.
- D- REMOVE SCREWS ⑤. REMOVE FOUNTAIN TOPS ⑥ LIFTING AT THE FRONT & PULLING FORWARD. DISCONNECT TUBING ⑦ FROM BUBBLERS BY UNSCREWING FERRULE NUTS ⑧ AND SET TOPS ⑥ ASIDE WHERE THEY WILL NOT GET DAMAGED.

- E- SLIDE SPACERS, BACK PLATE AND UNITS OVER STUDS FROM MOUNTING PLATE & SECURE WITH NUTS AND WASHERS ⑨.
- F- ASSEMBLE O-RINGS & ELBOWS ⑩ TO DRAIN ADAPTERS ⑪ ASSEMBLE TO UNITS WITH PHILLIPS SCREWS ⑫. CONNECT OUTLET TUBE ② TO ELBOWS & MAKE-UP 1-1/4" O.D. WASTE CONNECTIONS WITH THRU WALL WASTE EXTENSION BY OTHERS.
- G- RUN THE WATER TUBING ⑦ AND PUSHBUTTON TUBING ⑬ THRU THE WALL.
- H- COMPLETE INSTALLATION OF THE FREEZE RESISTANT VALVE ASSEMBLIES AS PER DRAWING # 9938-331-001.
- I- RE-ATTACH TUBING ⑦ TO BUBBLERS WITH FERRULE NUTS ⑧. TEST OPERATION OF BUBBLERS BY DEPRESSING BUTTONS ⑭. CHECK ALL THE CONNECTIONS AND WASTE PIPING FOR LEAKS. CORRECT IF PRESENT.
- J- SET GASKETS ⑮ ON DRAIN ADAPTERS ⑪. RE-INSTALL TOPS ⑥ ON HOUSINGS (ENGAGE THE BACK CLIP ON THE 18" UNIT) AND SECURE WITH SCREWS ⑤.

<p>ACORN AQUA P.O. Box 3527 City of Industry, CA 91744 Phone: (800) 591-9360 www.acornaqua.com</p>	<p>TITLE FREEZE RESISTANT CONTOURED WALL MOUNTED BI-LEVEL FOUNTAIN</p>		
	<p>MANUFACTURE DATE</p> <p>JANUARY 2006</p> <p>TO PRESENT</p>	<p>DATE ISSUED</p> <p>10/20/05</p> <p>DATE REVISED</p> <p>10/11/06</p>	<p>DRAWING NUMBER</p> <p>9938-007-001</p>

NOTES:

- 1- MODEL # A152400B-FRA4 SHOWN FOR REFERENCE ONLY. THE INSTALLATION SHOWN IS TYPICAL FOR ALL DRINKING FOUNTAIN MODELS WITH OPTION -FRA4 AVAILABLE.
- 2- STANDARD BI-LEVEL INSTALLATION IS SHOWN. FOR OPTIONAL -RBL REVERSE BI-LEVEL CONFIGURATION, THE INSTALLATION IS OPPOSITE TO THAT SHOWN.

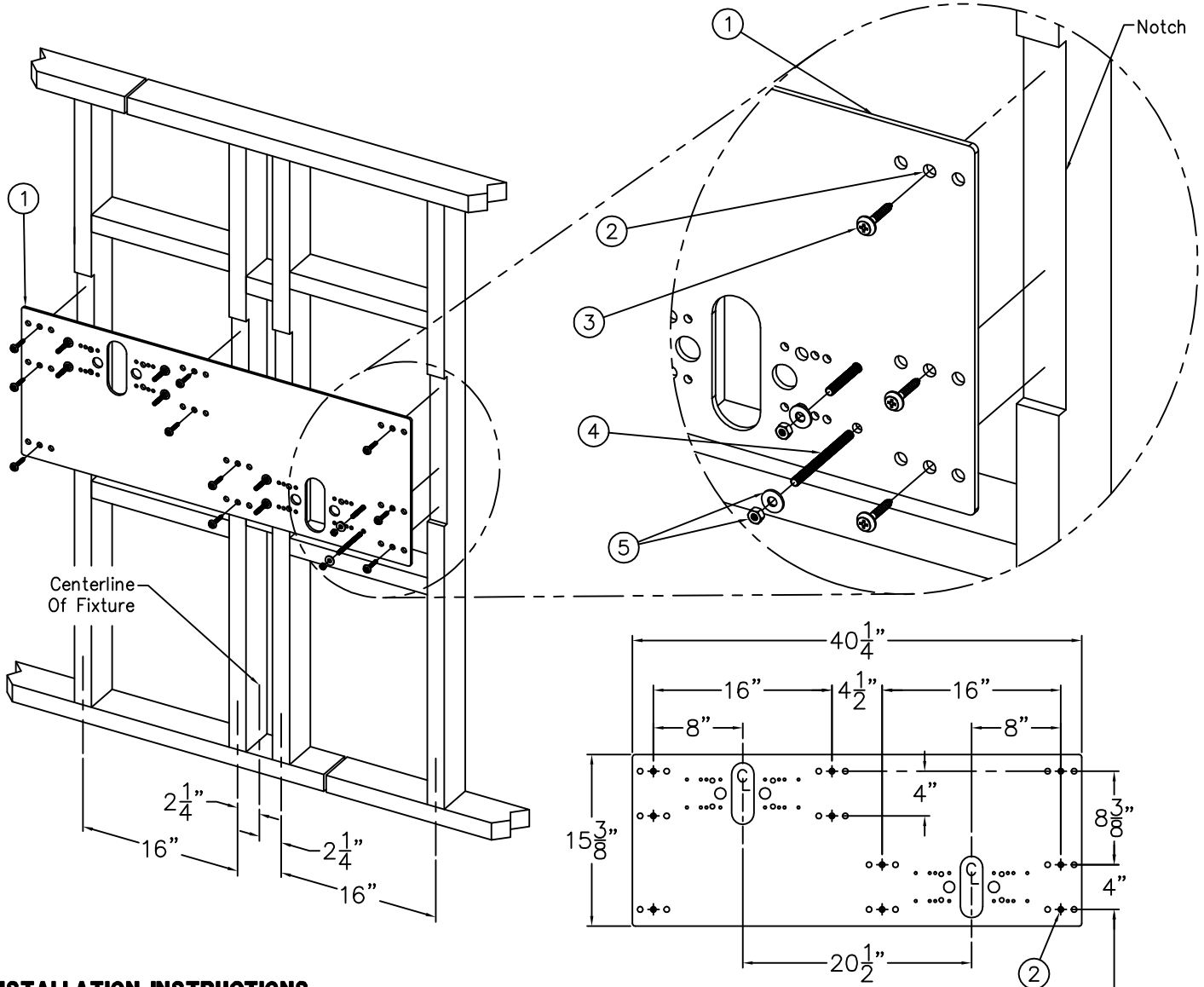


INSTALLATION INSTRUCTIONS:

- A- IF USING ANCHORING ACCESSORIES, REFER TO INSTALLATION INSTRUCTIONS FOR THOSE ITEMS. OTHERWISE, STRUCTURALLY REINFORCE THE WALL BEHIND THE FIXTURE (1) ANCHORING HOLES. REFERENCE THE FIXTURE ROUGH-INS FOR DIMENSIONS AND INSTALL WALL ANCHORS BY OTHERS.
- B- PROVIDE PENETRATION (2) THRU WALL FOR 1-1/4" OUTER DIAMETER ELBOW WASTE OUTLET AND 1" DIA. PENETRATION (3) THRU WALL FOR THE AIR AND SUPPLY TUBING. REQUIRED THRU WALL INSULATION AND CONDUIT BY OTHERS.
- C- CAREFULLY REMOVE FIXTURE (1) AND COMPONENTS FROM THE PACKAGING PREVENTING SCRATCHING AND DAMAGE.
- D- ENSURE THE PUSHBUTTONS (4), BUBBLERS (5), AND THE WASTE PIPING (6) DID NOT COME LOOSE IN SHIPMENT.
- E- SECURELY ANCHOR FIXTURE (1) TO WALL THRU MOUNTING HOLES WITH ANCHORING HARDWARE BY OTHERS.
- F- ASSEMBLE TAILPIECE (7) TO WASTE PIPING (6). 1-1/4" O.D. WASTE EXTENSION (8) THRU WALL BY OTHERS.
- G- ANCHOR VALVE AND WASTE BOX (9) ON INTERIOR WALL BY ALIGNING ELBOW (10) WITH THE FIXTURE WASTE OUTLET (7). ANCHORING HARDWARE BY OTHERS.
- H- MAKE-UP 1-1/2" IPS WASTE CONNECTION TO OUTLET (11).
- I- CONNECT TUBING FROM VALVE THRU PENETRATION (3) TO PUSHBUTTONS (4) AND BUBBLERS (5).
- J- FLUSH WATER SUPPLY BY OTHERS OF ALL DEBRIS PRIOR TO CONNECTING TO FIXTURE. CONNECT 1/2" IPS SUPPLY PIPING BY OTHERS TO INLET (12).
- K- TEST OPERATION OF BUBBLERS (5) BY DEPRESSING BUTTONS (4). CHECK ALL CONNECTIONS AND WASTE PIPING FOR LEAKS. CORRECT IF PRESENT.
- L- ATTACH COVER (13) TO VALVE BOX (9) AND COMPLETE THE FIXTURE INSTALLATION.

ACORN AQUA
P.O. Box 3527 City of Industry, CA 91744
Phone: (800) 591-9360 www.acornaqua.com

TITLE OPTIONAL -FRA4 BI-LEVEL FREEZE RESISTANT VALVE		
MANUFACTURE DATE JANUARY 2006 TO PRESENT	DATE ISSUED 09/28/05	DRAWING NUMBER 9938-331-001
	DATE REVISED	



INSTALLATION INSTRUCTIONS:

NOTE: THE STANDARD BI-LEVEL INSTALLATION IS SHOWN. FOR THE OPTIONAL -RBL REVERSE BI-LEVEL CONFIGURATION, THE INSTALLATION IS OPPOSITE TO THAT SHOWN.

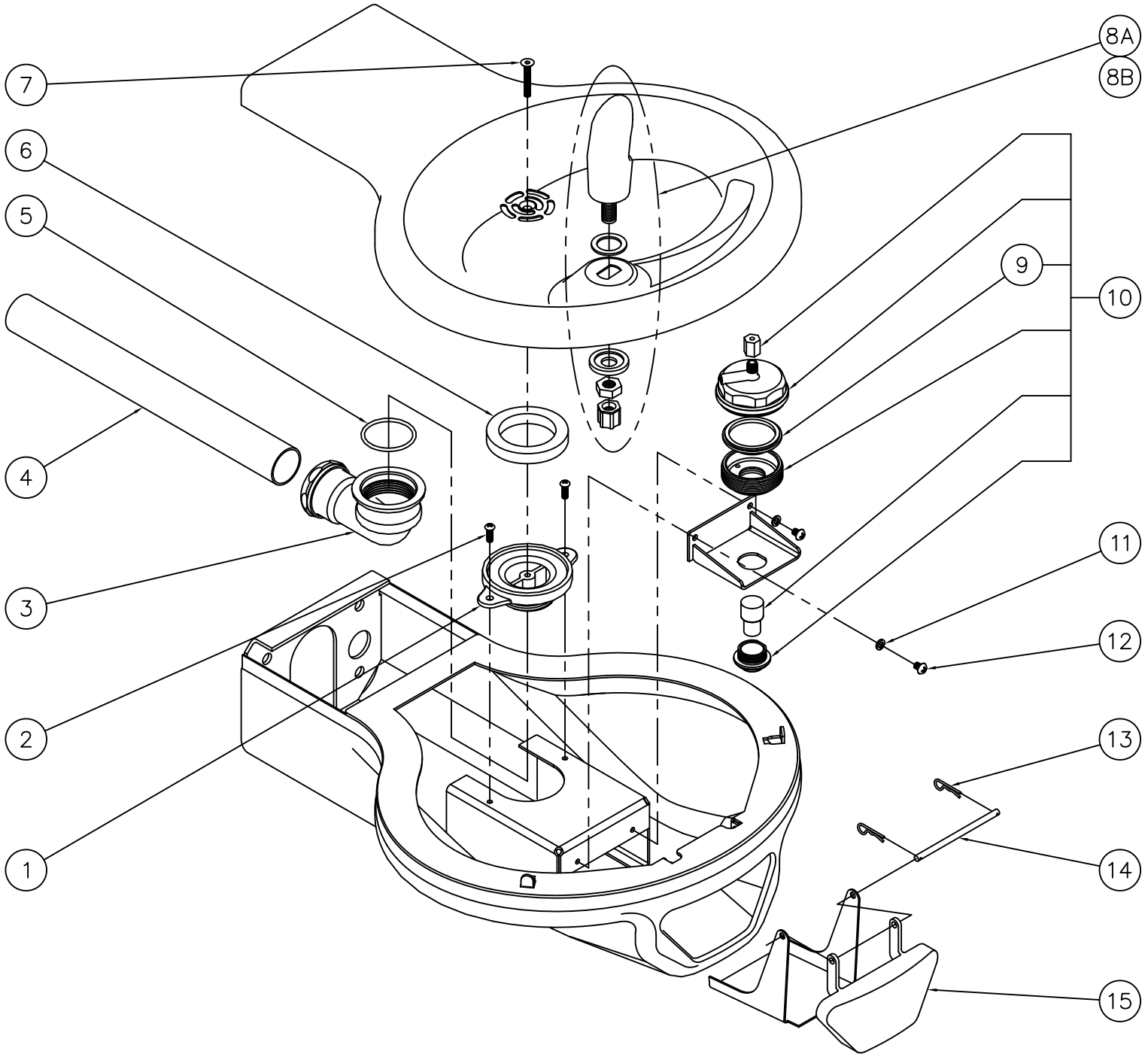
- A- PROVIDE STRUCTURAL WALL SUPPORT AT THE 16" SPACING AS SHOWN FOR ANCHORING THE -MP2 MOUNTING PLATE ①.
- B- MOUNTING PLATE ① IS 1/4" THICK WITH 1/2" DIAMETER HOLES ② IN 30 PLACES FOR ANCHORING HARDWARE ③ BY OTHERS. NOTCH/PREPARE WALL SO THAT PLATE ① AND INSTALLER PROVIDED HARDWARE ③ WILL BE CONCEALED BEHIND THE WALL FINISHING MATERIAL.
- C- THREAD 5/16" ALL-THREAD STUDS ④ THRU PLATE ① SO THAT MINIMUM 1-1/4" OF STUD WILL PROTRUDE BEYOND THE FINISHED WALL FACE. REFERENCE FIXTURE ROUGH-INS FOR LOCATION.
- D- SECURELY ANCHOR PLATE ① TO WALL WITHIN NOTCHED AREA USING HARDWARE ③ BY OTHERS.

- E- MAKE APPROPRIATE SUPPLY AND WASTE ROUGH-INS THRU THE MOUNTING PLATE ①.
- F- COMPLETE INSTALLATION OF FINISHED WALL LEAVING STUDS ④ PROTRUDING AND ROUGH-INS ACCESSIBLE.
- G- SLIDE FIXTURE OVER STUDS ④ UP AGAINST FINISHED WALL AND SECURE WITH NUTS AND WASHERS ⑤. COMPLETE THE INSTALLATION REFERENCING THE FIXTURE INSTRUCTIONS.


DIMENSION VARIES BY FIXTURE.

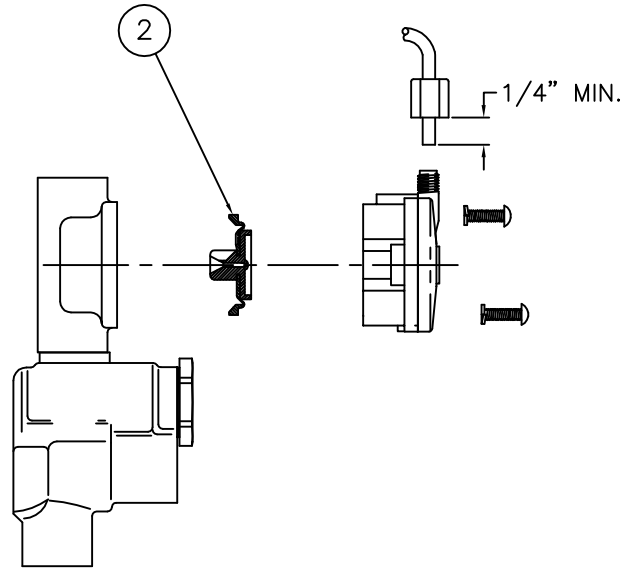
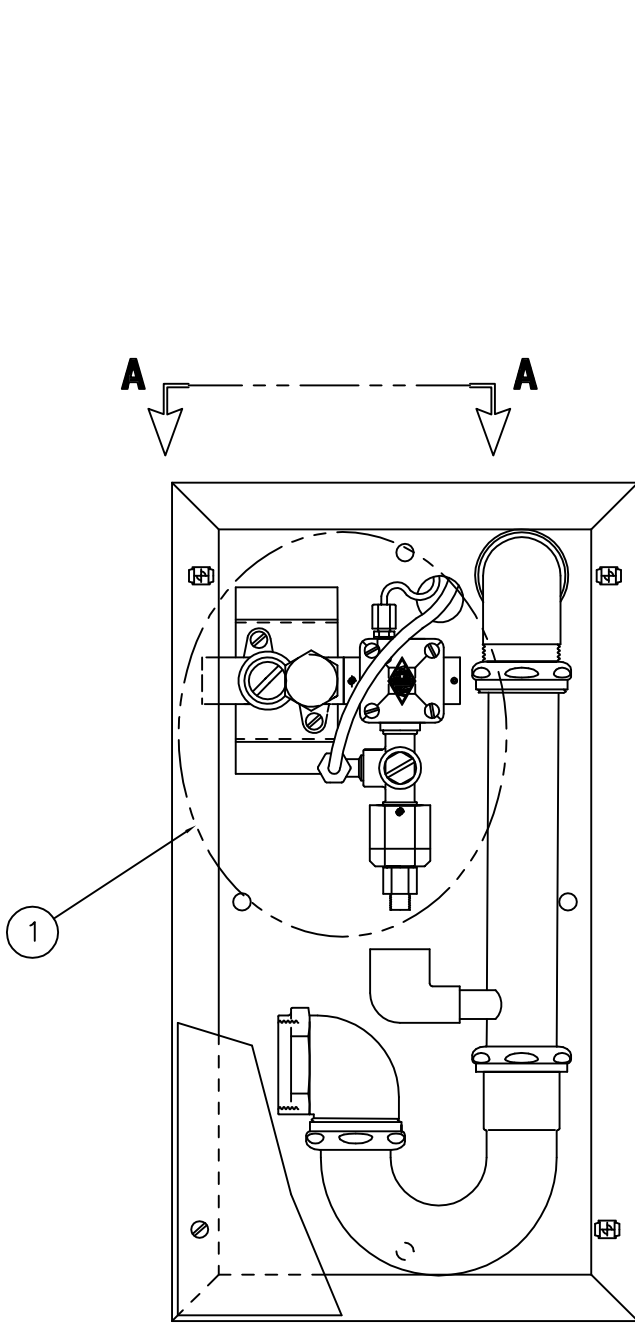
Finished Floor

<p>ACORN AQUA P.O. Box 3527 City of Industry, CA 91744 Phone: (800) 591-9360 www.acornaqua.com</p>	<p>TITLE STANDARD -MP2 BI-LEVEL WALL MOUNTING PLATE AND HARDWARE</p>	
	<p>MANUFACTURE DATE OCTOBER 2006 TO PRESENT</p>	<p>DATE ISSUED 10/11/06</p> <p>DATE REVISED</p>



1	7000-005-199	DRAIN ADAPTER	9	2566-001-000	DIAPHRAGM
2	0116-016-000	PHILLIPS TRUSS HEAD SCREW	10	2566-050-001	SINGLE TEMPERATURE PUSHBUTTON
3	7000-017-001	ELBOW ASSEMBLY	11	6502-560-000	LOCK WASHER
4	7000-113-199	1-1/4" OUTER DIAMETER DRAIN TUBE	12	0116-004-000	PHILLIPS ROUND HEAD MACHINE SCREW
5	0401-128-000	O-RING	13	0341-100-000	WIRE CLIP
6	7000-006-000	FLAT DRAIN ADAPTER GASKET	14	7000-100-199	BLACK DELRIN SHAFT
7	0152-040-000	ALLEN FLAT HEAD SCREW	15	7000-004-000	PUSH PAD
8A	7000-002-001	STANDARD CHROME PLATED BRASS BUBBLER			
8B	7000-410-002	"F" OPTION FLEXIBLE BUBBLER ASSEMBLY			

ITEM	PART NUMBER	DESCRIPTION	ITEM	PART NUMBER	DESCRIPTION
 ACORN AQUA P.O. Box 3527 City of Industry, CA 91744 Phone: (800) 591-9360 www.acornaqua.com		TITLE FREEZE RESISTANT PUSH PAD OPERATED CONTOURED DRINKING FOUNTAIN			
MANUFACTURE DATE JANUARY 2006 TO PRESENT		DATE ISSUED 10/19/05 DATE REVISED 12/18/07		DRAWING NUMBER 9938-006-500	

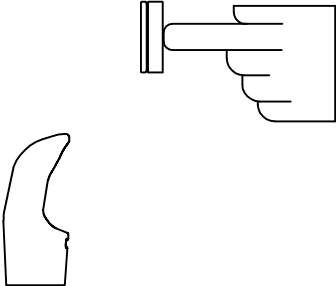

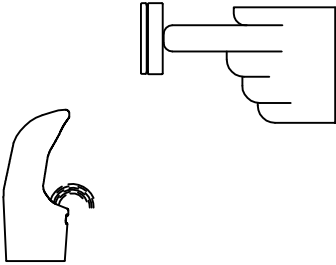
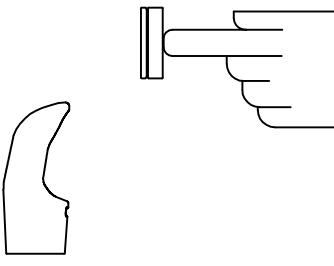


VIEW A-A


1	2589-400-001	1-STATION FREEZE-RESISTANT VALVE ASSY.	2	2563-010-001	WATER DIAPHRAGM ASSEMBLY
ITEM	PART NUMBER	DESCRIPTION	ITEM	PART NUMBER	DESCRIPTION
ACORN AQUA P.O. Box 3527 City of Industry, CA 91744 Phone: (800) 591-9360 www.acornaqua.com					
TITLE					
OPTIONAL -FRA1 FREEZE RESISTANT VALVE ASSEMBLY					
MANUFACTURE DATE			DATE ISSUED		DRAWING NUMBER
JANUARY 2006 TO PRESENT			10/20/05		
			DATE REVISED		9938-330-500



**PUSH PAD / PUSH BUTTON FREEZE RESISTANT & STONE DRINKING FOUNTAINS
NON-METERING AIR-CONTROLLED VALVE - (DIRECT ACTING)**

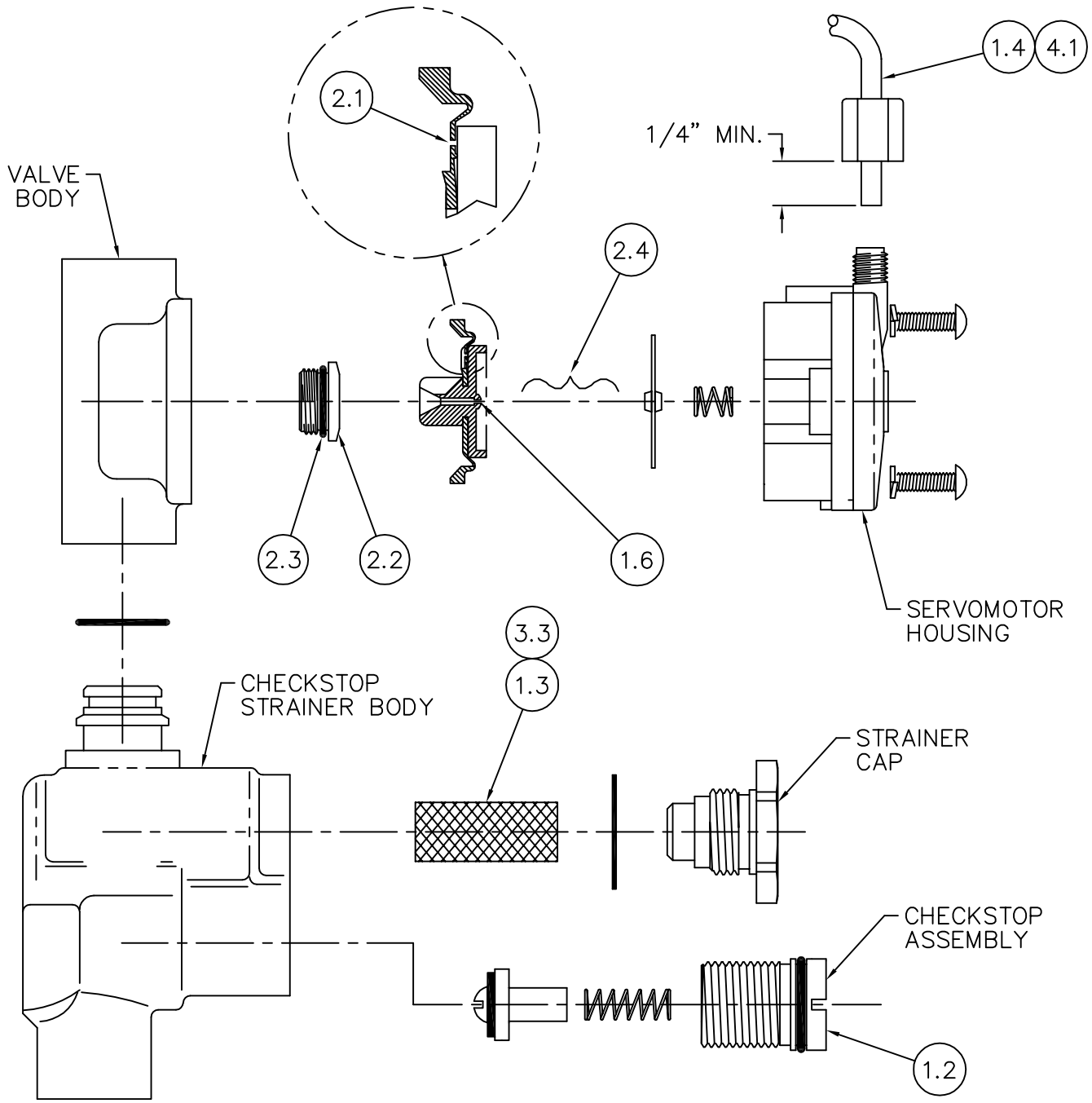
CONDITION:	SOLUTION:
<p>NO WATER FLOW:</p> 	<ol style="list-style-type: none"> 1.1 Check water main supply – open. 1.2 Inspect checkstops – open. 1.3 Inspect checkstop strainer for debris – clean. 1.4 Check 1/8” O.D. tubing and fittings for leaks. 1.5 Check pushbutton air diaphragm for holes. 1.6 Check servomotor diaphragm center hole for blockage.
<p>WATER DRIPS / WILL NOT SHUT OFF:</p> 	<ol style="list-style-type: none"> 2.1 Check servomotor diaphragm offset hole for debris. 2.2 Check servomotor seat for build-up or damage. 2.3 Check servomotor seat o-ring for damage. 2.4 Check servomotor plate and diaphragm for obstruction.
<p>REDUCED WATER FLOW:</p> 	<ol style="list-style-type: none"> 3.1 Check water main supply for 20 psig minimum flow pressure. 3.2 Check valve riser tubing for crimping. 3.3 Inspect checkstop strainer for debris – clean. 3.4 Check valve flow control for blockage – clean. 3.5 Inspect bubbler for debris – clean.
<p>PREMATURE WATER SHUTOFF:</p> 	<ol style="list-style-type: none"> 4.1 Check 1/8” O.D. tubing and fittings for leaks. 4.2 Check pushbutton air diaphragm for holes.

Refer to Air-Controlled Valve Maintenance Detail on drawing # 9940-203-001 for -FRA_ Above Ground units and on drawing # 9940-204-001 for Stone & -FRU_ Below Ground units to locate solutions above.

 <p>ACORN AQUA P.O. Box 3527 City of Industry, CA 91744 Phone: (800) 591-9360 www.acornaqua.com</p>	<p>TITLE STONE & FREEZE RESISTANT FOUNTAIN VALVE MAINTENANCE INSTRUCTIONS</p>		
	<p>MANUFACTURE DATE</p> <p>JANUARY 2006</p> <p>TO PRESENT</p>	<p>DATE ISSUED</p> <p>10/20/05</p>	<p>DRAWING NUMBER</p> <p>9940-202-001</p>
		<p>DATE REVISED</p> <p>11/20/06</p>	



**PUSH PAD / PUSH BUTTON ABOVE GROUND FREEZE RESISTANT DRINKING FOUNTAIN
NON-METERING AIR-CONTROLLED VALVE - (DIRECT ACTING)**



CHECKSTOP STRAINER - SERVMOTOR DETAIL

Refer to drawing #9940-202-001 for Valve Maintenance Instructions numbered solutions detailed above.

<p>ACORN AQUA P.O. Box 3527 City of Industry, CA 91744 Phone: (800) 591-9360 www.acornaqua.com</p>	<p>TITLE -FRA_ NON-METERING AIR-CONTROLLED VALVE MAINTENANCE INSTRUCTIONS</p>		
	<p>MANUFACTURE DATE</p> <p>JANUARY 2006 TO PRESENT</p>	<p>DATE ISSUED</p> <p>10/20/05</p> <p>DATE REVISED</p> <p>12/07/05</p>	<p>DRAWING NUMBER</p> <p>9940-203-001</p>