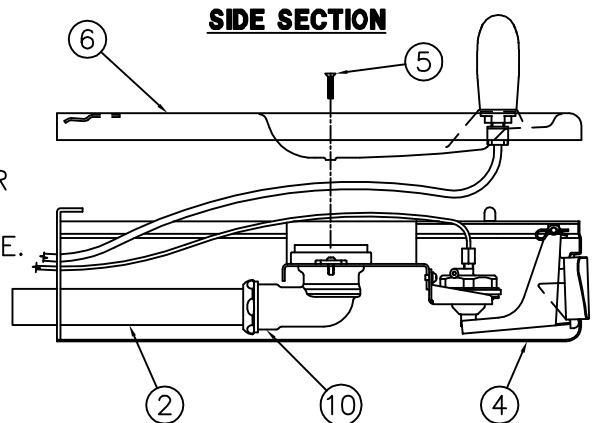


**BACK ROUGH-IN VIEW**



**SIDE SECTION**

**INSTALLATION INSTRUCTIONS:**

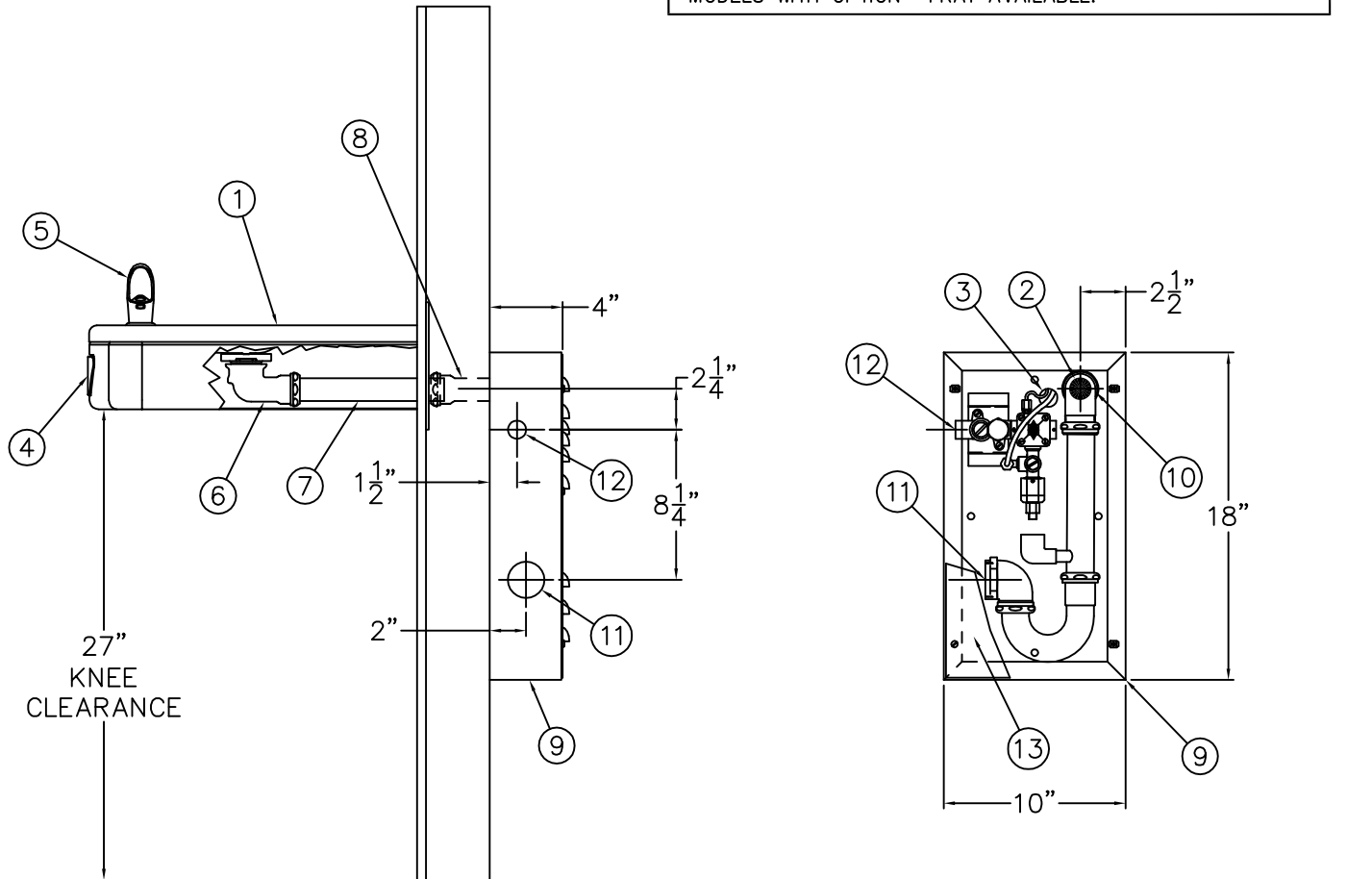
- A- REFER TO DRAWING # 9938-330-001 FOR THE INSTALLATION INSTRUCTIONS OF THE FREEZE RESISTANT VALVE ASSEMBLY. REFER TO DRAWING # 9938-375-001 TO INSTALL STANDARD SUPPLIED WALL MOUNTING PLATE ①.
- B- PROVIDE THRU THE WALL PENETRATIONS FOR 1-1/4" OUTER DIAMETER ELBOW WASTE OUTLET ② AND 1" DIA. THRU WALL PENETRATION ③ FOR AIR AND SUPPLY TUBING. REQUIRED THRU WALL INSULATION AND CONDUIT BY OTHERS.
- C- CAREFULLY REMOVE FIXTURE ④ AND COMPONENTS FROM THE PACKAGING PREVENTING SCRATCHING AND DAMAGE.
- D- REMOVE SCREW ⑤. REMOVE FOUNTAIN TOP ⑥ BY LIFTING AT THE FRONT AND PULLING FORWARD. DISCONNECT TUBING ⑦ FROM BUBBLER BY UNSCREWING FERRULE NUT ⑧ AND SET TOP ⑥ ASIDE WHERE IT WILL NOT GET DAMAGED.
- E- SLIDE FIXTURE OVER STUDS FROM WALL MOUNTING PLATE ① AND SECURE WITH NUTS AND WASHERS ⑨.
- F- ASSEMBLE O-RING & ELBOW ⑩ TO DRAIN ADAPTER ⑪. ASSEMBLE TO UNIT WITH PHILLIPS SCREWS ⑫. CONNECT OUTLET TUBE ② TO ELBOW & MAKE-UP 1-1/4" O.D. WASTE CONNECTION WITH THRU WALL WASTE EXTENSION BY OTHERS.
- G- RUN THE WATER TUBING ⑦ AND PUSHBUTTON TUBING ⑬ THRU THE WALL.
- H- COMPLETE INSTALLATION OF THE FREEZE RESISTANT VALVE ASSEMBLY AS PER DRAWING # 9938-330-001.
- I- RE-ATTACH TUBING ⑦ TO BUBBLER WITH FERRULE NUT ⑧. TEST OPERATION OF BUBBLER BY DEPRESSING BUTTON ⑭. CHECK ALL CONNECTIONS AND WASTE PIPING FOR LEAKS. CORRECT IF PRESENT.
- J- SET GASKET ⑮ ON ADAPTER ⑪ & RE-INSTALL TOP ⑥ BY ENGAGING BACK CLIP AND SECURING WITH SCREW ⑤.

**ACORN AQUA**  
 P.O. Box 3527 City of Industry, CA 91744  
 Phone: (800) 591-9360 www.acornaqua.com

TITLE <b>FREEZE RESISTANT 18 GAGE OVAL BOX WALL MOUNTED DRINKING FOUNTAIN</b>		
MANUFACTURE DATE	DATE ISSUED	DRAWING NUMBER
<b>JANUARY 2006</b>	<b>10/31/05</b>	<b>9938-016-001</b>
<b>TO PRESENT</b>	DATE REVISED <b>12/05/05</b>	

**NOTE:**

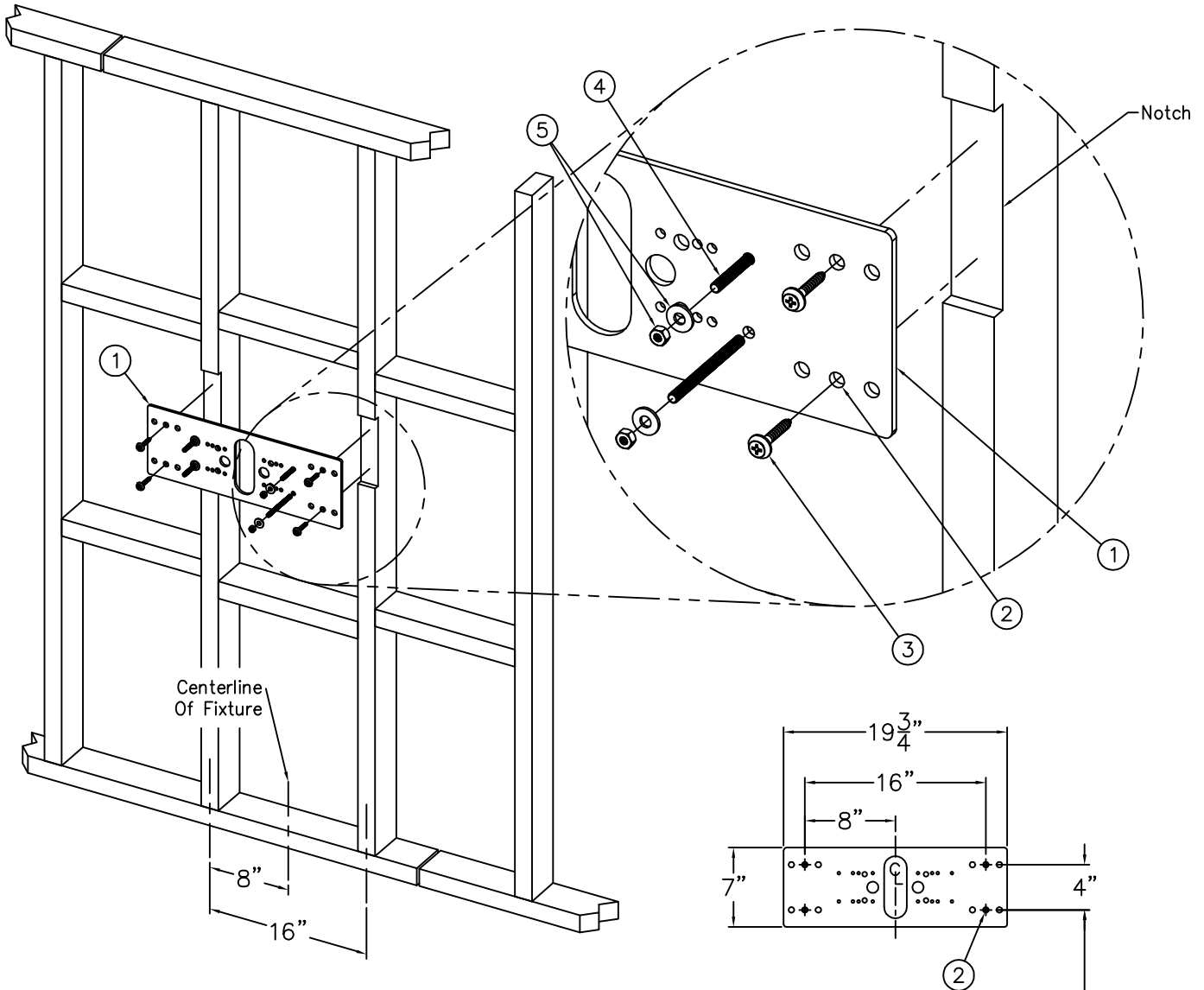
MODEL # A151400B-FRA1 SHOWN FOR REFERENCE ONLY. THE INSTALLATION SHOWN IS TYPICAL FOR ALL DRINKING FOUNTAIN MODELS WITH OPTION -FRA1 AVAILABLE.



**INSTALLATION INSTRUCTIONS:**

- A- IF USING ANCHORING ACCESSORIES, REFER TO INSTALLATION INSTRUCTIONS FOR THOSE ITEMS. OTHERWISE, STRUCTURALLY REINFORCE THE WALL BEHIND THE FIXTURE (1) ANCHORING HOLES. REFERENCE THE FIXTURE ROUGH-INS FOR DIMENSIONS AND INSTALL WALL ANCHORS BY OTHERS.
- B- PROVIDE PENETRATION (2) THRU WALL FOR 1-1/4" OUTER DIAMETER ELBOW WASTE OUTLET AND 1" DIA. PENETRATION (3) THRU WALL FOR THE AIR AND SUPPLY TUBING. REQUIRED THRU WALL INSULATION AND CONDUIT BY OTHERS.
- C- CAREFULLY REMOVE FIXTURE (1) AND COMPONENTS FROM THE PACKAGING PREVENTING SCRATCHING AND DAMAGE.
- D- ENSURE THE PUSHBUTTON (4), BUBBLER (5), AND THE WASTE PIPING (6) DID NOT COME LOOSE IN SHIPMENT.
- E- SECURELY ANCHOR FIXTURE (1) TO WALL THRU MOUNTING HOLES WITH ANCHORING HARDWARE BY OTHERS.
- F- ASSEMBLE TAILPIECE (7) TO WASTE PIPING (6). 1-1/4" O.D. WASTE EXTENSION (8) THRU WALL BY OTHERS.
- G- ANCHOR VALVE AND WASTE BOX (9) ON INTERIOR WALL BY ALIGNING ELBOW (10) WITH THE FIXTURE WASTE OUTLET (7). ANCHORING HARDWARE BY OTHERS.
- H- MAKE-UP 1-1/2" IPS WASTE CONNECTION TO OUTLET (11).
- I- CONNECT TUBING FROM VALVE THRU PENETRATION (3) TO PUSHBUTTON (4) AND BUBBLER (5).
- J- FLUSH WATER SUPPLY BY OTHERS OF ALL DEBRIS PRIOR TO CONNECTING TO FIXTURE. CONNECT 1/2" IPS SUPPLY PIPING BY OTHERS TO INLET (12).
- K- TEST OPERATION OF BUBBLER (5) BY DEPRESSING BUTTON (4). CHECK ALL CONNECTIONS AND WASTE PIPING FOR LEAKS. CORRECT IF PRESENT.
- L- ATTACH COVER (13) TO VALVE BOX (9) AND COMPLETE THE FIXTURE INSTALLATION.

<p><b>ACORN AQUA</b> P.O. Box 3527 City of Industry, CA 91744 Phone: (800) 591-9360 www.acornaqua.com</p>	<p>TITLE <b>OPTIONAL -FRA1 FREEZE RESISTANT VALVE</b></p>		
	<p>MANUFACTURE DATE</p> <p><b>JANUARY 2006</b></p> <p><b>TO PRESENT</b></p>	<p>DATE ISSUED</p> <p><b>09/28/05</b></p>	<p>DRAWING NUMBER</p> <p><b>9938-330-001</b></p>
		<p>DATE REVISED</p>	



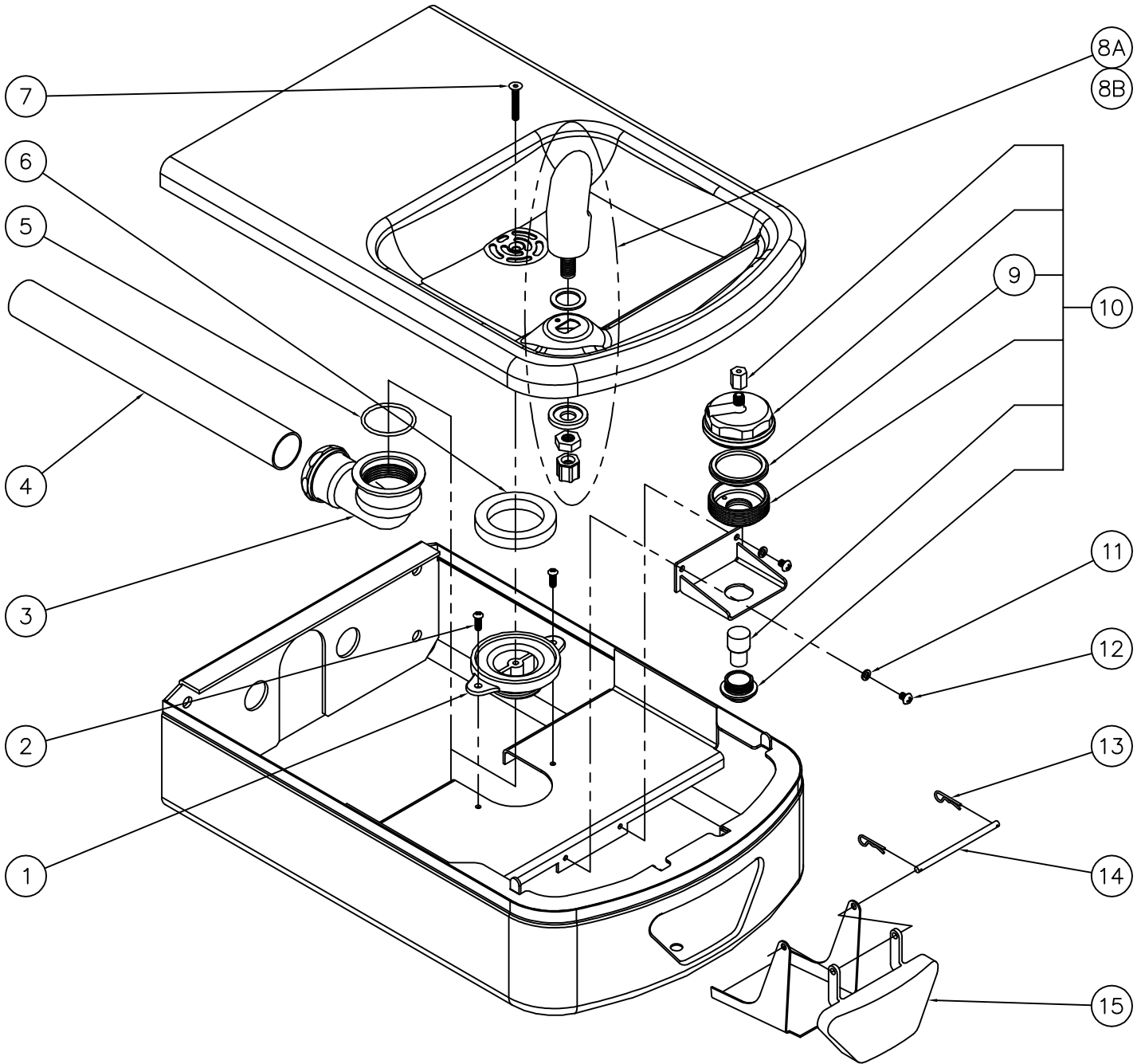
**INSTALLATION INSTRUCTIONS:**

- A- PROVIDE STRUCTURAL WALL SUPPORT AT THE 16" SPACING AS SHOWN FOR ANCHORING THE -MP1 MOUNTING PLATE (1).
- B- MOUNTING PLATE (1) IS 1/4" THICK WITH 1/2" DIAMETER HOLES (2) IN 12 PLACES FOR ANCHORING HARDWARE (3) BY OTHERS. NOTCH/PREPARE WALL SO THAT PLATE (1) AND INSTALLER PROVIDED HARDWARE (3) WILL BE CONCEALED BEHIND THE WALL FINISHING MATERIAL.
- C- THREAD 5/16" ALL-THREAD STUDS (4) THRU PLATE (1) SO THAT MINIMUM 1-1/4" OF STUD WILL PROTRUDE BEYOND THE FINISHED WALL FACE. REFERENCE FIXTURE ROUGH-INS FOR LOCATION.
- D- SECURELY ANCHOR PLATE (1) TO WALL WITHIN NOTCHED AREA USING HARDWARE (3) BY OTHERS.
- E- MAKE APPROPRIATE SUPPLY AND WASTE ROUGH-INS THRU THE MOUNTING PLATE (1).

- F- COMPLETE INSTALLATION OF FINISHED WALL LEAVING STUDS (4) PROTRUDING AND ROUGH-INS ACCESSIBLE.
- G- SLIDE FIXTURE OVER STUDS (4) UP AGAINST FINISHED WALL AND SECURE WITH NUTS AND WASHERS (5). COMPLETE THE INSTALLATION REFERENCING THE FIXTURE INSTRUCTIONS.

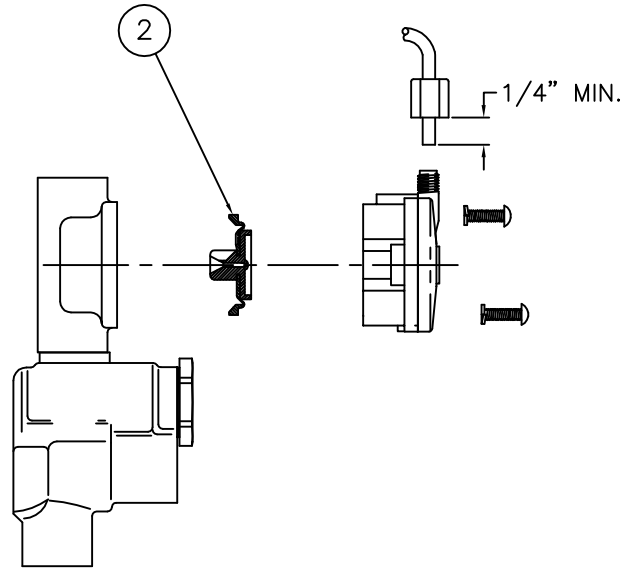
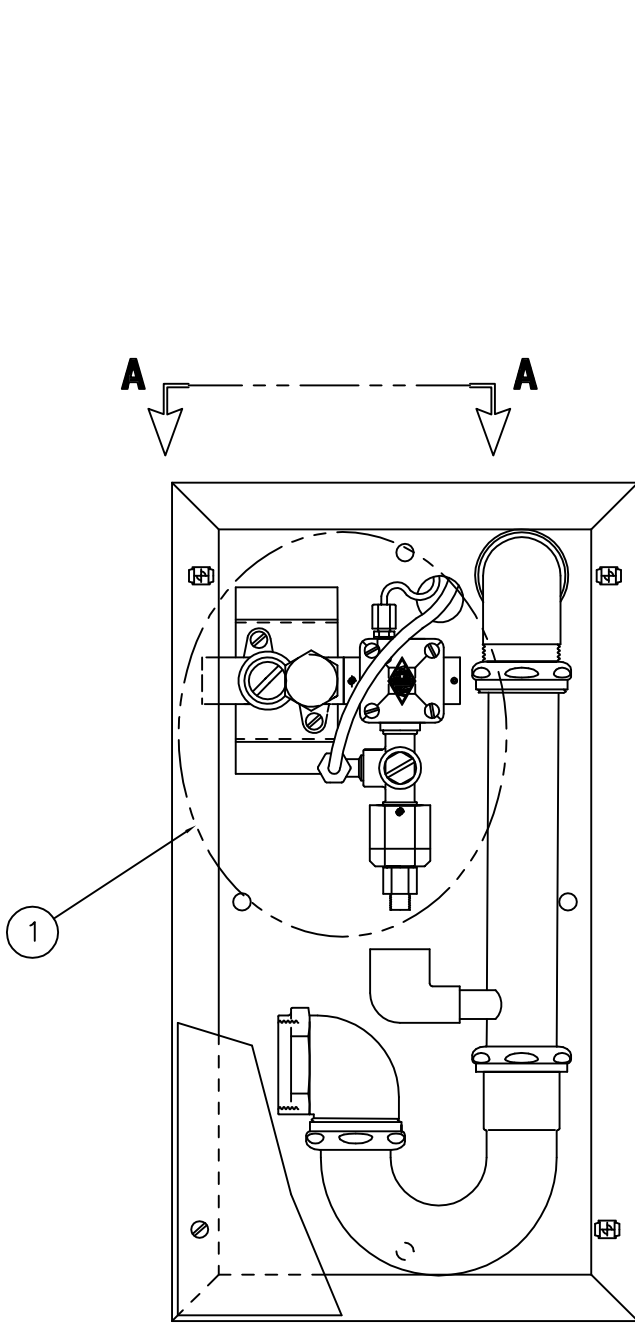
**ACORN AQUA**  
 P.O. Box 3527 City of Industry, CA 91744  
 Phone: (800) 591-9360 www.acornaqua.com

TITLE <b>STANDARD -MP1 WALL MOUNTING PLATE AND HARDWARE</b>		
MANUFACTURE DATE <b>JANUARY 2006 TO PRESENT</b>	DATE ISSUED <b>09/28/05</b>	DRAWING NUMBER <b>9938-375-001</b>
	DATE REVISED <b>01/04/06</b>	



1	7000-005-199	DRAIN ADAPTER	9	2566-001-000	DIAPHRAGM
2	0116-016-000	PHILLIPS TRUSS HEAD SCREW	10	2566-050-001	SINGLE TEMPERATURE PUSHBUTTON
3	7000-017-001	ELBOW ASSEMBLY	11	6502-560-000	LOCK WASHER
4	7000-113-199	1-1/4" OUTER DIAMETER DRAIN TUBE	12	0116-004-000	PHILLIPS ROUND HEAD MACHINE SCREW
5	0401-128-000	O-RING	13	0341-100-000	WIRE CLIP
6	7000-006-000	FLAT DRAIN ADAPTER GASKET	14	7000-100-199	BLACK DELRIN SHAFT
7	0152-040-000	ALLEN FLAT HEAD SCREW	15	7000-004-000	PUSH PAD
8A	7000-002-001	STANDARD CHROME PLATED BRASS BUBBLER			
8B	7000-412-002	"F" OPTION FLEXIBLE BUBBLER ASSEMBLY			
ITEM	PART NUMBER	DESCRIPTION	ITEM	PART NUMBER	DESCRIPTION

<p><b>ACORN AQUA</b> P.O. Box 3527 City of Industry, CA 91744 Phone: (800) 591-9360 www.acornaqua.com</p>	<p>TITLE <b>FREEZE RESISTANT PUSH PAD OPERATED 18 GAGE OVAL BOX FOUNTAIN</b></p>		
	<p>MANUFACTURE DATE</p> <p><b>JANUARY 2006</b></p> <p><b>TO PRESENT</b></p>	<p>DATE ISSUED</p> <p><b>10/31/05</b></p>	<p>DRAWING NUMBER</p> <p><b>9938-016-500</b></p>
		<p>DATE REVISED</p> <p><b>12/18/07</b></p>	

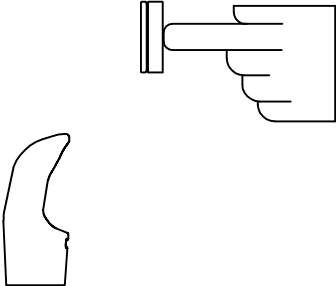

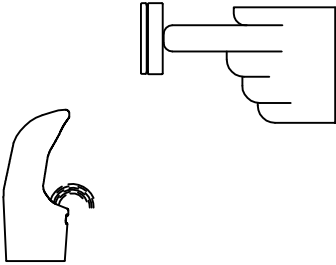
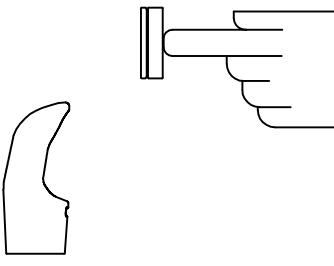


**VIEW A-A**


1	2589-400-001	1-STATION FREEZE-RESISTANT VALVE ASSY.	2	2563-010-001	WATER DIAPHRAGM ASSEMBLY
ITEM	PART NUMBER	DESCRIPTION	ITEM	PART NUMBER	DESCRIPTION
<b>ACORN AQUA</b> P.O. Box 3527 City of Industry, CA 91744 Phone: (800) 591-9360 www.acornaqua.com					
<b>TITLE</b>					
<b>OPTIONAL -FRA1 FREEZE RESISTANT VALVE ASSEMBLY</b>					
MANUFACTURE DATE			DATE ISSUED		DRAWING NUMBER
<b>JANUARY 2006 TO PRESENT</b>			<b>10/20/05</b>		
			DATE REVISED		<b>9938-330-500</b>



**PUSH PAD / PUSH BUTTON FREEZE RESISTANT & STONE DRINKING FOUNTAINS  
NON-METERING AIR-CONTROLLED VALVE - (DIRECT ACTING)**

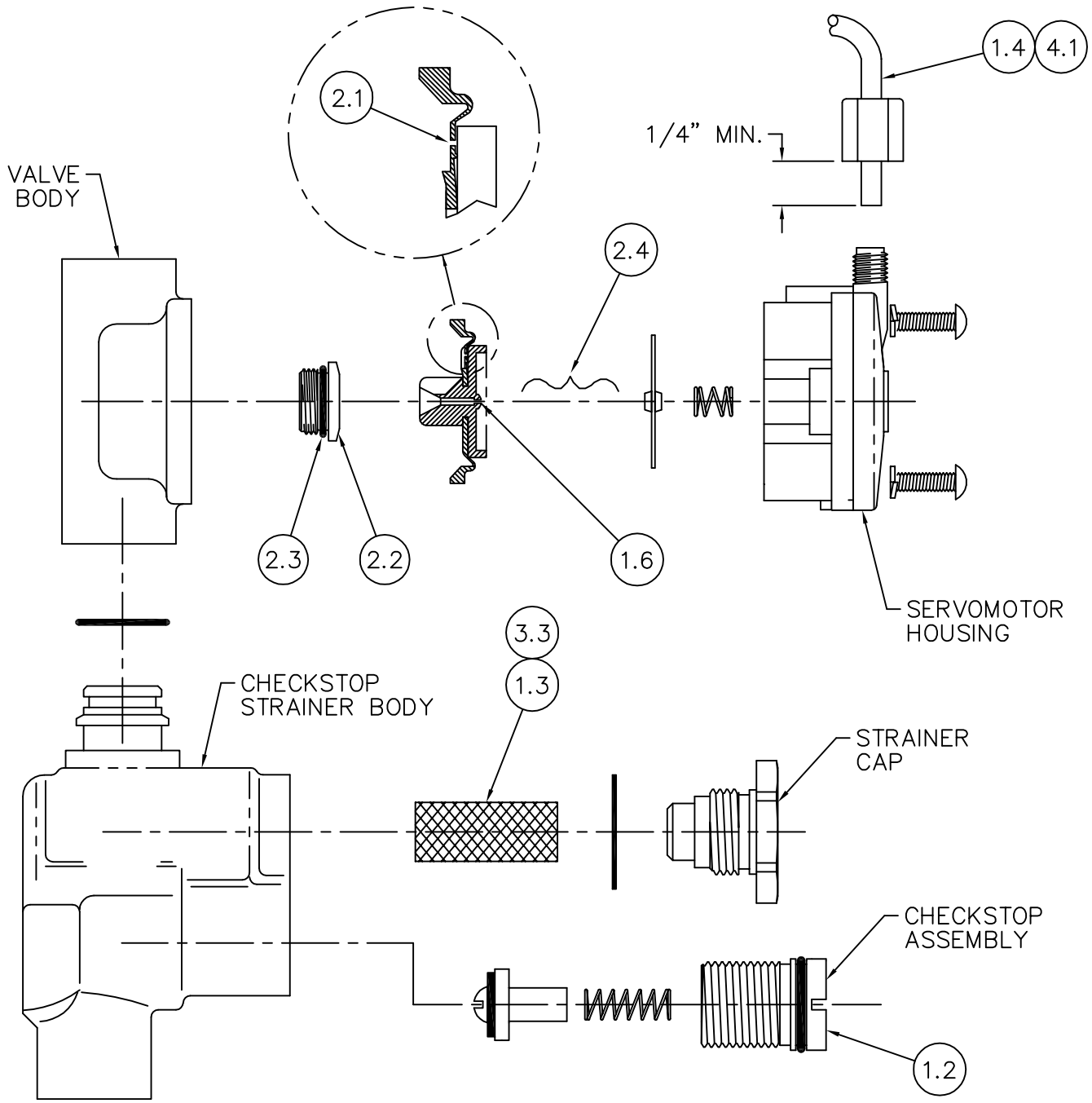
<b>CONDITION:</b>	<b>SOLUTION:</b>
<p><b>NO WATER FLOW:</b></p> 	<ol style="list-style-type: none"> <li>1.1 Check water main supply – open.</li> <li>1.2 Inspect checkstops – open.</li> <li>1.3 Inspect checkstop strainer for debris – clean.</li> <li>1.4 Check 1/8” O.D. tubing and fittings for leaks.</li> <li>1.5 Check pushbutton air diaphragm for holes.</li> <li>1.6 Check servomotor diaphragm center hole for blockage.</li> </ol>
<p><b>WATER DRIPS / WILL NOT SHUT OFF:</b></p> 	<ol style="list-style-type: none"> <li>2.1 Check servomotor diaphragm offset hole for debris.</li> <li>2.2 Check servomotor seat for build-up or damage.</li> <li>2.3 Check servomotor seat o-ring for damage.</li> <li>2.4 Check servomotor plate and diaphragm for obstruction.</li> </ol>
<p><b>REDUCED WATER FLOW:</b></p> 	<ol style="list-style-type: none"> <li>3.1 Check water main supply for 20 psig minimum flow pressure.</li> <li>3.2 Check valve riser tubing for crimping.</li> <li>3.3 Inspect checkstop strainer for debris – clean.</li> <li>3.4 Check valve flow control for blockage – clean.</li> <li>3.5 Inspect bubbler for debris – clean.</li> </ol>
<p><b>PREMATURE WATER SHUTOFF:</b></p> 	<ol style="list-style-type: none"> <li>4.1 Check 1/8” O.D. tubing and fittings for leaks.</li> <li>4.2 Check pushbutton air diaphragm for holes.</li> </ol>

Refer to Air-Controlled Valve Maintenance Detail on drawing # 9940-203-001 for -FRA\_ Above Ground units and on drawing # 9940-204-001 for Stone & -FRU\_ Below Ground units to locate solutions above.

 <p><b>ACORN AQUA</b> P.O. Box 3527 City of Industry, CA 91744 Phone: (800) 591-9360 www.acornaqua.com</p>	<p>TITLE <b>STONE &amp; FREEZE RESISTANT FOUNTAIN VALVE MAINTENANCE INSTRUCTIONS</b></p>		
<p>MANUFACTURE DATE <b>JANUARY 2006</b> <b>TO PRESENT</b></p>	<p>DATE ISSUED <b>10/20/05</b></p>	<p>DRAWING NUMBER <b>9940-202-001</b></p>	
<p>DATE REVISED <b>11/20/06</b></p>			



**PUSH PAD / PUSH BUTTON ABOVE GROUND FREEZE RESISTANT DRINKING FOUNTAIN  
NON-METERING AIR-CONTROLLED VALVE - (DIRECT ACTING)**



**CHECKSTOP STRAINER - SERVOMOTOR DETAIL**

Refer to drawing #9940-202-001 for Valve Maintenance Instructions numbered solutions detailed above.

<p><b>ACORN AQUA</b> P.O. Box 3527 City of Industry, CA 91744 Phone: (800) 591-9360 www.acornaqua.com</p>	<p>TITLE <b>-FRA_ NON-METERING AIR-CONTROLLED VALVE MAINTENANCE INSTRUCTIONS</b></p>		
	<p>MANUFACTURE DATE</p> <p><b>JANUARY 2006</b> <b>TO PRESENT</b></p>	<p>DATE ISSUED</p> <p><b>10/20/05</b></p> <p>DATE REVISED</p> <p><b>12/07/05</b></p>	<p>DRAWING NUMBER</p> <p><b>9940-203-001</b></p>