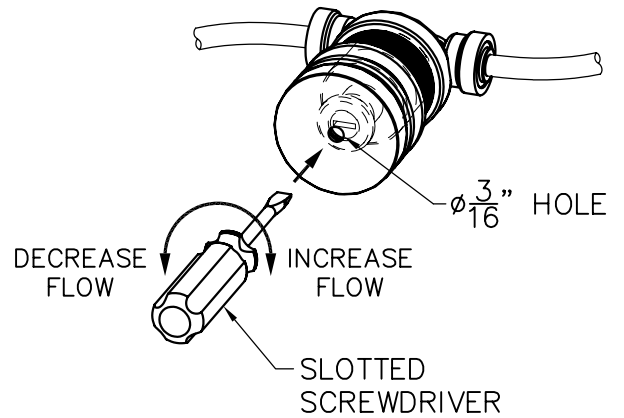
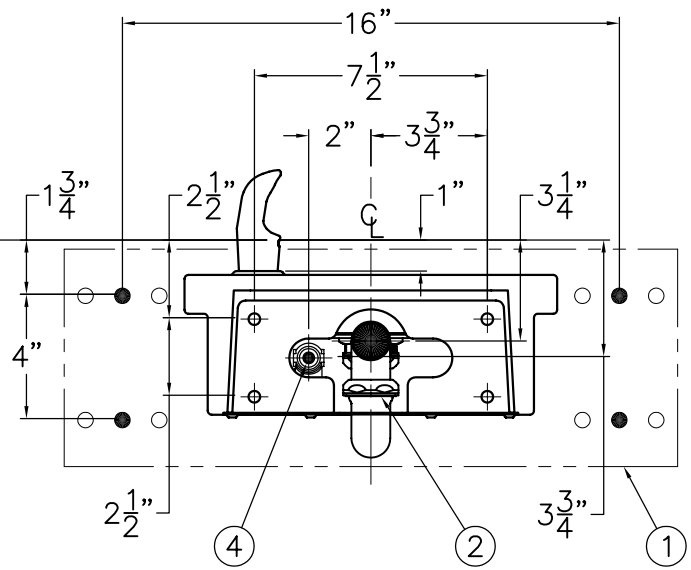


**DETAIL A  
FLOW ADJUSTMENT**



**BACK ROUGH-IN VIEW**



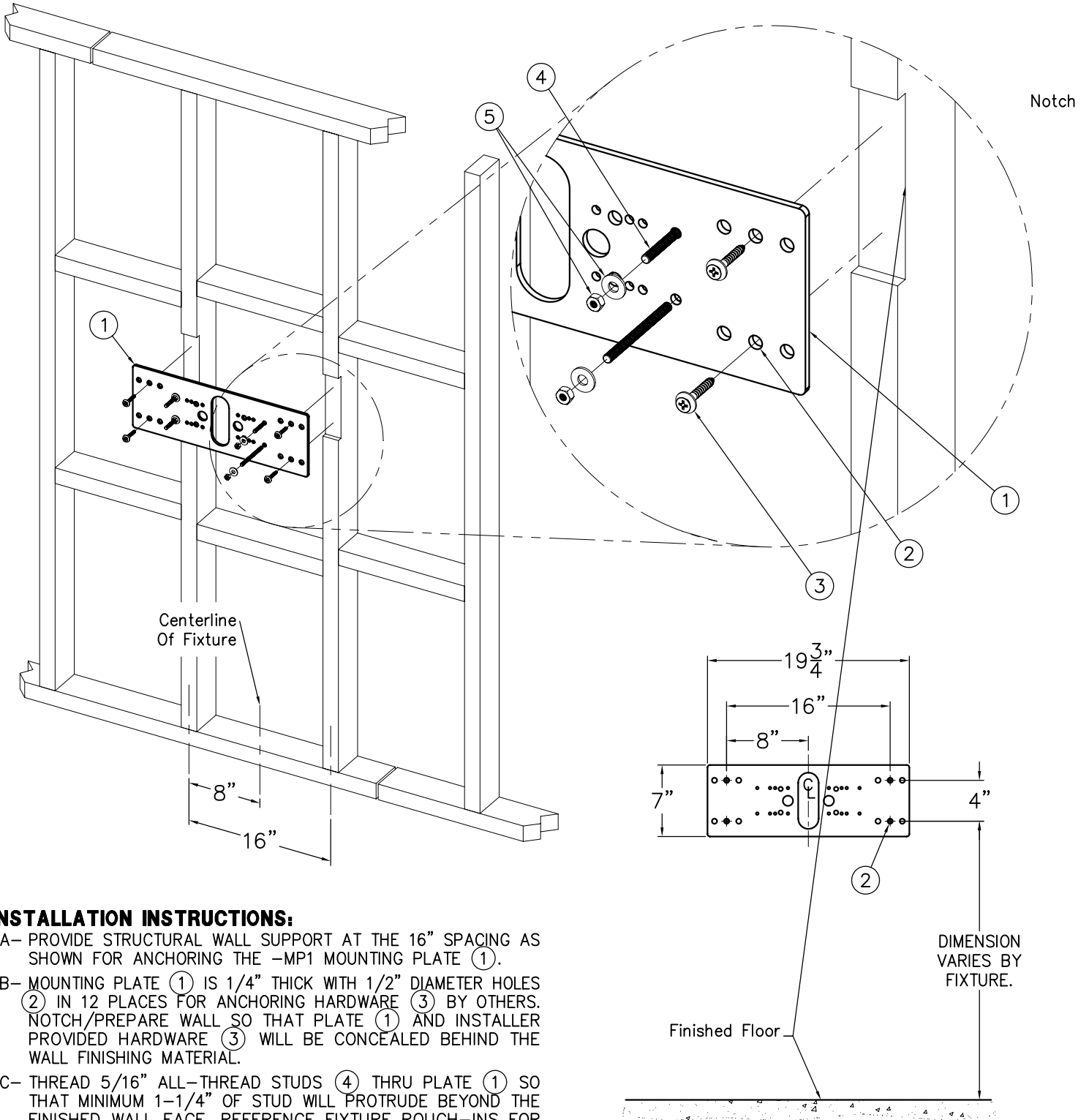
32<sup>5</sup>/<sub>8</sub>" ORIFICE  
HEIGHT ABOVE  
FINISHED FLOOR  
FOR 27" ADA KNEE  
CLEARANCE. ADJUST  
AS REQUIRED.

**INSTALLATION INSTRUCTIONS:**

- A- REFER TO DRAWING # 9938-375-001 TO INSTALL STANDARD SUPPLIED WALL MOUNTING PLATE ①.
- B- ROUGH-IN WASTE OUTLET ② AT DIMENSION SHOWN FOR 1-1/4" OUTER DIAMETER PLAIN END P-TRAP ③.
- C- ROUGH-IN WATER SUPPLY ④ AT DIMENSION SHOWN FOR THE 1/4" NOMINAL (3/8" O.D.) x 4" LONG COPPER TUBE CONNECTED TO THE IN-LINE STRAINER ⑤ PROVIDED. STOP RECOMMENDED ON SUPPLY IS TO BE SUPPLIED BY OTHERS.
- D- CAREFULLY REMOVE FIXTURE ⑥ AND COMPONENTS FROM THE PACKAGING PREVENTING SCRATCHING AND DAMAGE.
- E- REMOVE BOTTOM ACCESS PANEL ⑦. ENSURE PUSHBUTTON ⑧, P-TRAP ③, AND BUBBLER ARE SECURE AND CHECK ALL TUBING CONNECTIONS TO MAKE SURE THEY DID NOT COME LOOSE IN SHIPMENT.

- F- SLIDE FIXTURE OVER STUDS FROM WALL MOUNTING PLATE ① AND SECURE WITH NUTS AND WASHERS ⑨.
- G- MAKE-UP 1-1/4" O.D. WASTE CONNECTION TO P-TRAP ③.
- H- FLUSH WATER SUPPLY ④ BY OTHERS OF ALL DEBRIS PRIOR TO CONNECTING TO FIXTURE.
- I- CONNECT WATER SUPPLY ④ BY OTHERS TO 1/4" NOMINAL COPPER TUBE INLET. STOP ON THE SUPPLY IS RECOMMENDED.
- J- TEST OPERATION OF BUBBLER BY DEPRESSING BUTTON ⑧. ADJUST THE FLOW RATE AS REQUIRED. SEE DETAIL A. CHECK ALL CONNECTIONS AND WASTE PIPING FOR LEAKS. CORRECT IF PRESENT.
- K- RE-INSTALL BOTTOM ACCESS PANEL ⑦.

<p><b>ACORN AQUA</b> P.O. Box 3527 City of Industry, CA 91744 Phone: (800) 591-9360 www.acornaqua.com</p>	<p>TITLE <b>SOLID SURFACE SQUARE WALL MOUNTED DRINKING FOUNTAIN</b></p>		
	<p>MANUFACTURE DATE</p> <p><b>JANUARY 2006</b></p> <p><b>TO PRESENT</b></p>	<p>DATE ISSUED</p> <p><b>09/27/05</b></p> <p>DATE REVISED</p> <p><b>05/03/06</b></p>	<p>DRAWING NUMBER</p> <p><b>9938-031-001</b></p>

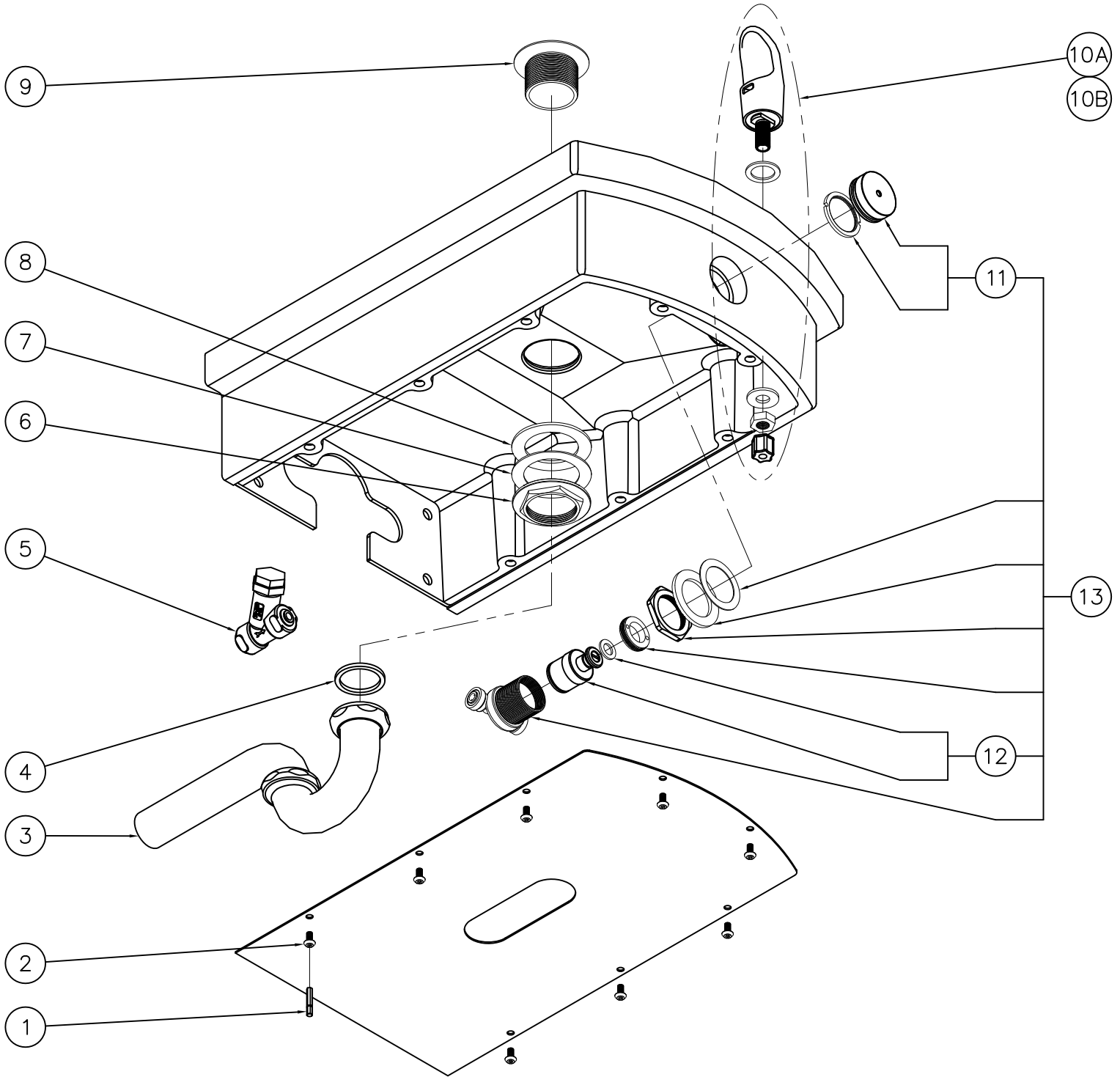


**INSTALLATION INSTRUCTIONS:**

- A- PROVIDE STRUCTURAL WALL SUPPORT AT THE 16" SPACING AS SHOWN FOR ANCHORING THE -MP1 MOUNTING PLATE (1).
- B- MOUNTING PLATE (1) IS 1/4" THICK WITH 1/2" DIAMETER HOLES (2) IN 12 PLACES FOR ANCHORING HARDWARE (3) BY OTHERS. NOTCH/PREPARE WALL SO THAT PLATE (1) AND INSTALLER PROVIDED HARDWARE (3) WILL BE CONCEALED BEHIND THE WALL FINISHING MATERIAL.
- C- THREAD 5/16" ALL-THREAD STUDS (4) THRU PLATE (1) SO THAT MINIMUM 1-1/4" OF STUD WILL PROTRUDE BEYOND THE FINISHED WALL FACE. REFERENCE FIXTURE ROUGH-INS FOR LOCATION.
- D- SECURELY ANCHOR PLATE (1) TO WALL WITHIN NOTCHED AREA USING HARDWARE (3) BY OTHERS.
- E- MAKE APPROPRIATE SUPPLY AND WASTE ROUGH-INS THRU THE MOUNTING PLATE (1).

- F- COMPLETE INSTALLATION OF FINISHED WALL LEAVING STUDS (4) PROTRUDING AND ROUGH-INS ACCESSIBLE.
- G- SLIDE FIXTURE OVER STUDS (4) UP AGAINST FINISHED WALL AND SECURE WITH NUTS AND WASHERS (5). COMPLETE THE INSTALLATION REFERENCING THE FIXTURE INSTRUCTIONS.

<p><b>ACORN AQUA</b> P.O. Box 3527 City of Industry, CA 91744 Phone: (800) 591-9360 www.acornaqua.com</p>	<p>TITLE <b>STANDARD -MP1 WALL MOUNTING PLATE AND HARDWARE</b></p>		
	<p>MANUFACTURE DATE</p> <p><b>JANUARY 2006</b></p> <p><b>TO PRESENT</b></p>	<p>DATE ISSUED</p> <p><b>09/28/05</b></p> <p>DATE REVISED</p> <p><b>01/04/06</b></p>	<p>DRAWING NUMBER</p> <p><b>9938-375-001</b></p>



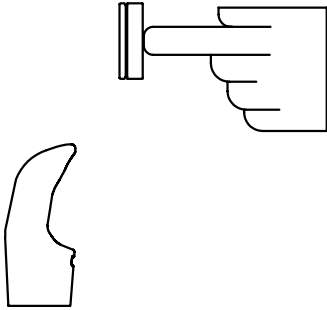
1	0296-025-199	CENTER REJECT HEX DRIVER BIT	8	0431-223-000	RUBBER GASKET
2	0112-056-000	CENTER REJECT ALLEN BUTTON HD SCREW	9	7000-018-199	1-1/4" NPSM GRID STRAINER
3	7000-015-000	1-1/4" OUTER DIAMETER P-TRAP	10A	7000-003-001	STANDARD CHROME PLATED BRASS BUBBLER
4	0430-003-000	NEOPRENE GASKET	10B	7000-412-002	"F" OPTION FLEXIBLE BUBBLER ASSEMBLY
5	7000-022-000	"Y" STRAINER	11	7000-068-001	RETAINING RING & BUTTON ASSEMBLY
6	7000-020-199	1-1/4" NPSM FLANGE NUT	12	7000-069-001	VALVE CARTRIDGE WITH FOAM WASHER
7	0411-025-000	FIBER GASKET	13	7000-065-001	RECESSED PUSHBUTTON VALVE ASSEMBLY
ITEM	PART NUMBER	DESCRIPTION	ITEM	PART NUMBER	DESCRIPTION

**STANDARD PUSH PAD / PUSH BUTTON DRINKING FOUNTAIN**

**CONDITION:**

**SOLUTION:**

**NO WATER FLOW:**



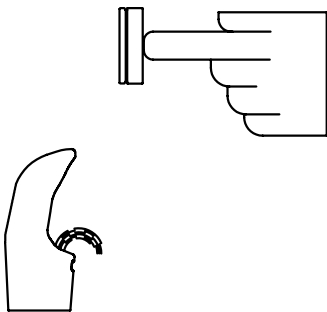
- 1.1 Check water main supply – open.
- 1.2 Inspect stop (by others) – open & no debris.
- 1.3 Inspect in–line strainer for debris – clean.
- 1.4 Replace valve cartridge.

**WATER DRIPS / WILL NOT SHUT OFF:**



- 2.1 For push pad activated drinking fountains only: Open fixture and move valve bracket assembly further back from push pad.
- 2.2 Replace valve cartridge.

**REDUCED WATER FLOW:**



- 3.1 Adjust the valve flow rate. See appropriate fixture installation instructions.
- 3.2 Check water main supply for 20 psig minimum flow pressure.
- 3.3 Inspect stop (by others) – open & no debris.
- 3.4 Inspect in–line strainer for debris – clean.
- 3.5 Inspect bubbler for debris – clean.
- 3.6 Inspect all tubing for twists or kinks.
- 3.7 Replace valve cartridge.