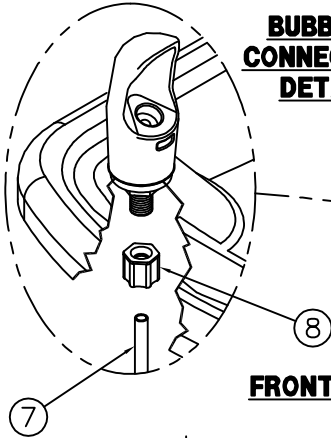


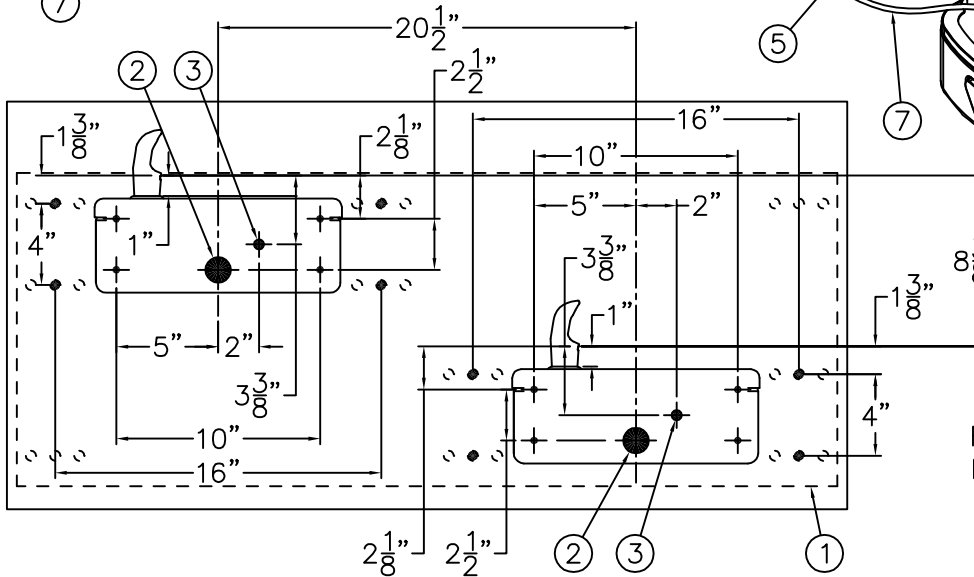
NOTE:

STANDARD BI-LEVEL INSTALLATION IS SHOWN. FOR OPTIONAL -RBL REVERSE BI-LEVEL CONFIGURATION, THE INSTALLATION IS OPPOSITE TO THAT SHOWN.



BUBBLER CONNECTION DETAIL

FRONT ROUGH-IN VIEW



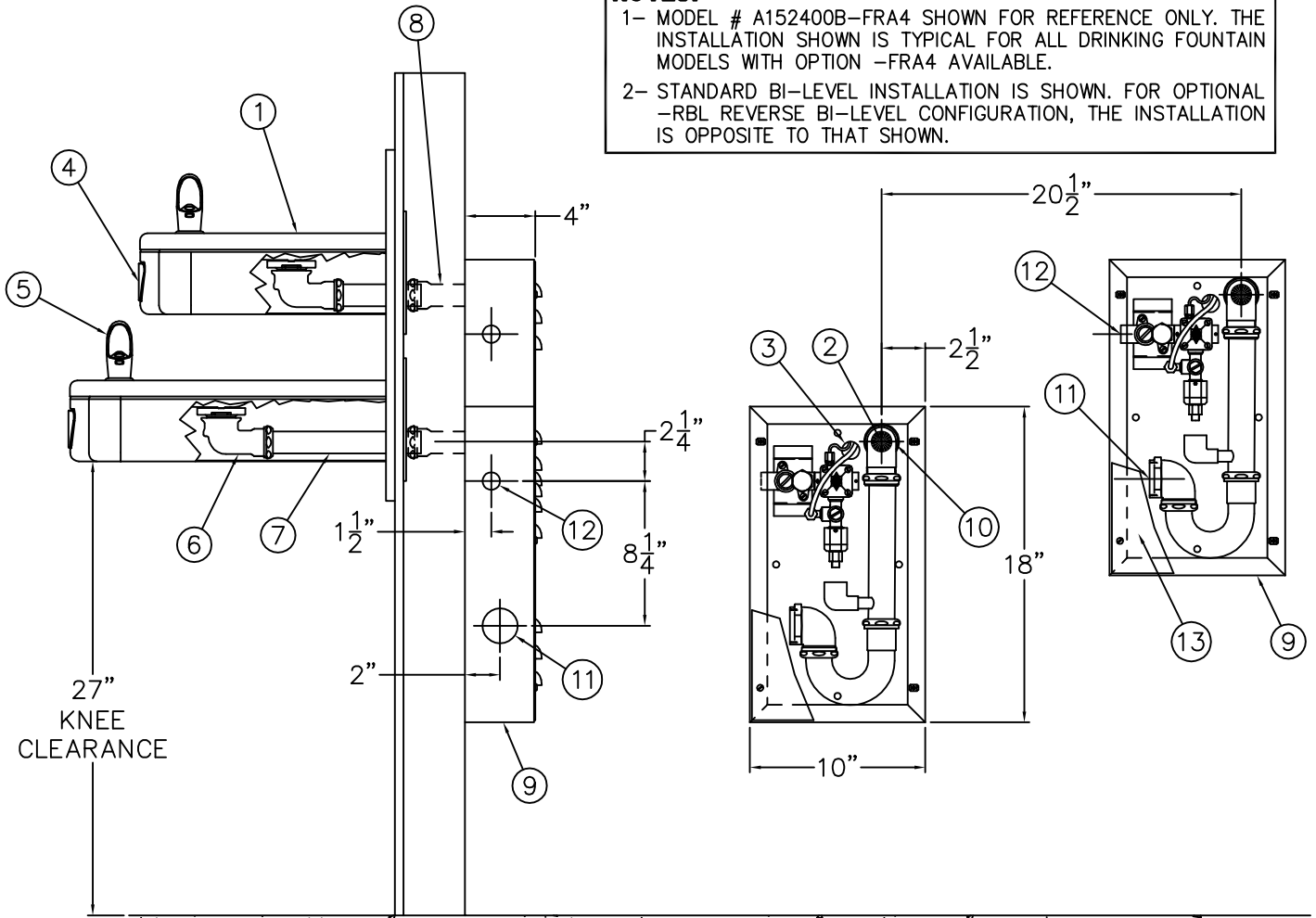
32³/₄" ORIFICE HEIGHT ABOVE FINISHED FLOOR FOR 27" ADA KNEE CLEARANCE. ADJUST AS REQUIRED.

INSTALLATION INSTRUCTIONS:

- A- REFER TO DRAWING # 9938-331-001 FOR THE INSTALLATION INSTRUCTIONS OF THE FREEZE RESISTANT VALVE ASSEMBLIES. REFER TO DRAWING # 9938-376-002 TO INSTALL STANDARD SUPPLIED WALL MOUNTING PLATE ①.
- B- PROVIDE THRU THE WALL PENETRATIONS FOR 1-1/4" OUTER DIAMETER ELBOW WASTE OUTLETS ② AND 1" DIA. THRU WALL PENETRATION ③ FOR THE AIR AND SUPPLY TUBING. REQUIRED THRU WALL INSULATION AND CONDUIT BY OTHERS.
- C- CAREFULLY REMOVE FIXTURES ④ AND COMPONENTS FROM THE PACKAGING PREVENTING SCRATCHING AND DAMAGE.
- D- REMOVE SCREWS ⑤. REMOVE FOUNTAIN TOPS ⑥ LIFTING AT THE FRONT & PULLING FORWARD. DISCONNECT TUBING ⑦ FROM BUBBLERS BY UNSCREWING FERRULE NUTS ⑧ AND SET TOPS ⑥ ASIDE WHERE THEY WILL NOT GET DAMAGED.
- E- SLIDE SPACERS, BACK PLATE AND UNITS OVER STUDS FROM MOUNTING PLATE & SECURE WITH NUTS AND WASHERS ⑨.
- F- ASSEMBLE O-RINGS & ELBOWS ⑩ TO DRAIN ADAPTERS ⑪ ASSEMBLE TO UNITS WITH PHILLIPS SCREWS ⑫. CONNECT OUTLET TUBE ② TO ELBOWS & MAKE-UP 1-1/4" O.D. WASTE CONNECTIONS WITH THRU WALL WASTE EXTENSION BY OTHERS.
- G- RUN THE WATER TUBING ⑦ AND PUSHBUTTON TUBING ⑬ THRU THE WALL.
- H- COMPLETE INSTALLATION OF THE FREEZE RESISTANT VALVE ASSEMBLIES AS PER DRAWING # 9938-331-001.
- I- RE-ATTACH TUBING ⑦ TO BUBBLERS WITH FERRULE NUTS ⑧. TEST OPERATION OF BUBBLERS BY DEPRESSING BUTTONS ⑭. CHECK ALL THE CONNECTIONS AND WASTE PIPING FOR LEAKS. CORRECT IF PRESENT.
- J- SET GASKETS ⑮ ON DRAIN ADAPTERS ⑪. RE-INSTALL TOPS ⑥ BY ENGAGING THE BACK CLIP AND SECURING WITH SCREWS ⑤.

| | | |
|--|---------------------------------|---------------------|
| TITLE FREEZE RESISTANT OVAL BOX WALL MOUNTED BI-LEVEL FOUNTAIN | | |
| MANUFACTURE DATE | DATE ISSUED | DRAWING NUMBER |
| JANUARY 2006 | 10/31/05 | 9938-017-001 |
| TO PRESENT | DATE REVISED 10/20/06 | |

NOTES:
 1- MODEL # A152400B-FRA4 SHOWN FOR REFERENCE ONLY. THE INSTALLATION SHOWN IS TYPICAL FOR ALL DRINKING FOUNTAIN MODELS WITH OPTION -FRA4 AVAILABLE.
 2- STANDARD BI-LEVEL INSTALLATION IS SHOWN. FOR OPTIONAL -RBL REVERSE BI-LEVEL CONFIGURATION, THE INSTALLATION IS OPPOSITE TO THAT SHOWN.

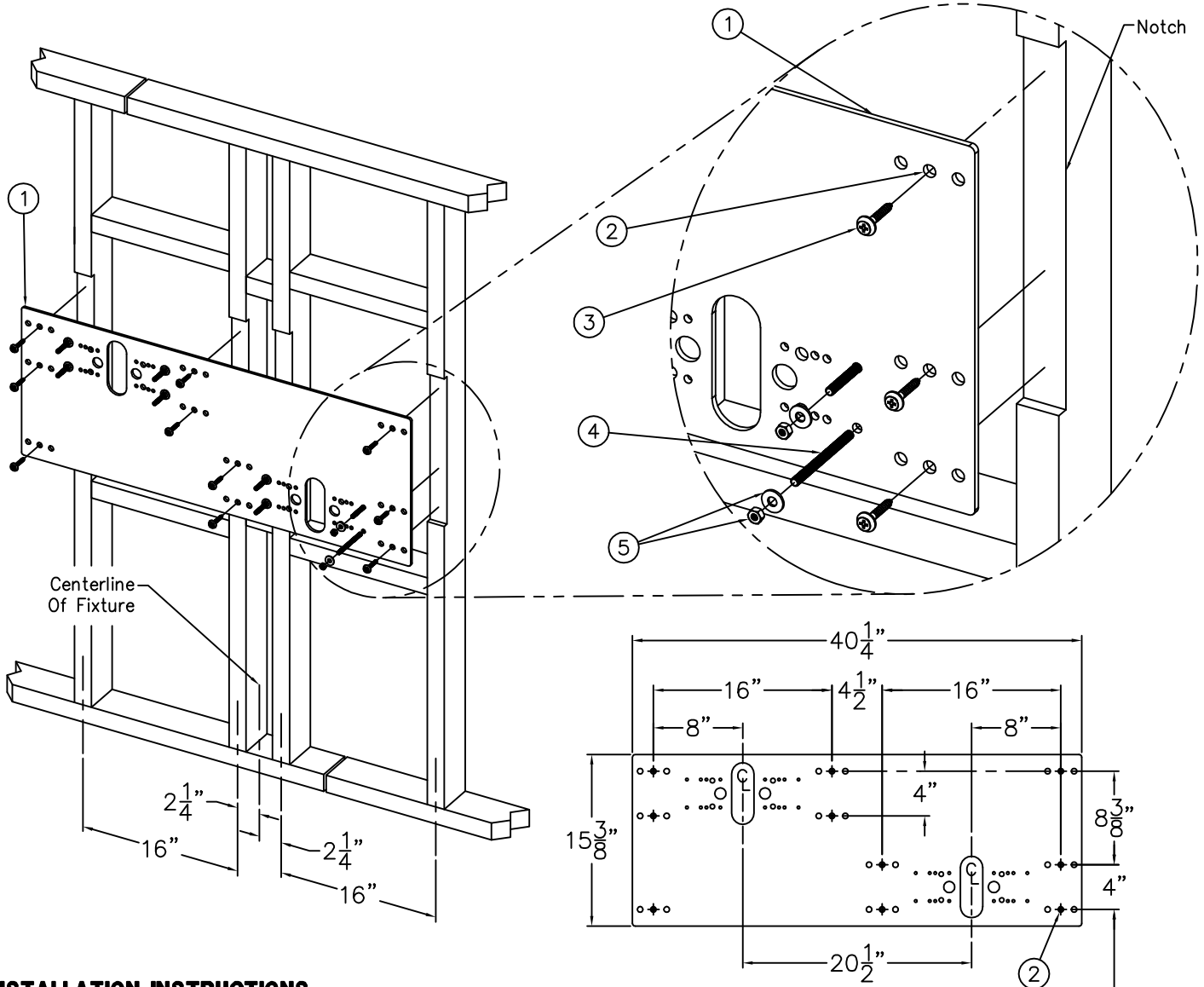


INSTALLATION INSTRUCTIONS:

- A- IF USING ANCHORING ACCESSORIES, REFER TO INSTALLATION INSTRUCTIONS FOR THOSE ITEMS. OTHERWISE, STRUCTURALLY REINFORCE THE WALL BEHIND THE FIXTURE (1) ANCHORING HOLES. REFERENCE THE FIXTURE ROUGH-INS FOR DIMENSIONS AND INSTALL WALL ANCHORS BY OTHERS.
- B- PROVIDE PENETRATION (2) THRU WALL FOR 1-1/4" OUTER DIAMETER ELBOW WASTE OUTLET AND 1" DIA. PENETRATION (3) THRU WALL FOR THE AIR AND SUPPLY TUBING. REQUIRED THRU WALL INSULATION AND CONDUIT BY OTHERS.
- C- CAREFULLY REMOVE FIXTURE (1) AND COMPONENTS FROM THE PACKAGING PREVENTING SCRATCHING AND DAMAGE.
- D- ENSURE THE PUSHBUTTONS (4), BUBBLERS (5), AND THE WASTE PIPING (6) DID NOT COME LOOSE IN SHIPMENT.
- E- SECURELY ANCHOR FIXTURE (1) TO WALL THRU MOUNTING HOLES WITH ANCHORING HARDWARE BY OTHERS.
- F- ASSEMBLE TAILPIECE (7) TO WASTE PIPING (6). 1-1/4" O.D. WASTE EXTENSION (8) THRU WALL BY OTHERS.
- G- ANCHOR VALVE AND WASTE BOX (9) ON INTERIOR WALL BY ALIGNING ELBOW (10) WITH THE FIXTURE WASTE OUTLET (7). ANCHORING HARDWARE BY OTHERS.
- H- MAKE-UP 1-1/2" IPS WASTE CONNECTION TO OUTLET (11).
- I- CONNECT TUBING FROM VALVE THRU PENETRATION (3) TO PUSHBUTTONS (4) AND BUBBLERS (5).
- J- FLUSH WATER SUPPLY BY OTHERS OF ALL DEBRIS PRIOR TO CONNECTING TO FIXTURE. CONNECT 1/2" IPS SUPPLY PIPING BY OTHERS TO INLET (12).
- K- TEST OPERATION OF BUBBLERS (5) BY DEPRESSING BUTTONS (4). CHECK ALL CONNECTIONS AND WASTE PIPING FOR LEAKS. CORRECT IF PRESENT.
- L- ATTACH COVER (13) TO VALVE BOX (9) AND COMPLETE THE FIXTURE INSTALLATION.

ACORN AQUA
 P.O. Box 3527 City of Industry, CA 91744
 Phone: (800) 591-9360 www.acornaqua.com

| | | |
|--|--------------------------------|---------------------------------------|
| TITLE OPTIONAL -FRA4 BI-LEVEL FREEZE RESISTANT VALVE | | |
| MANUFACTURE DATE JANUARY 2006 TO PRESENT | DATE ISSUED 09/28/05 | DRAWING NUMBER 9938-331-001 |
| | DATE REVISED | |



INSTALLATION INSTRUCTIONS:

NOTE: THE STANDARD BI-LEVEL INSTALLATION IS SHOWN. FOR THE OPTIONAL -RBL REVERSE BI-LEVEL CONFIGURATION, THE INSTALLATION IS OPPOSITE TO THAT SHOWN.

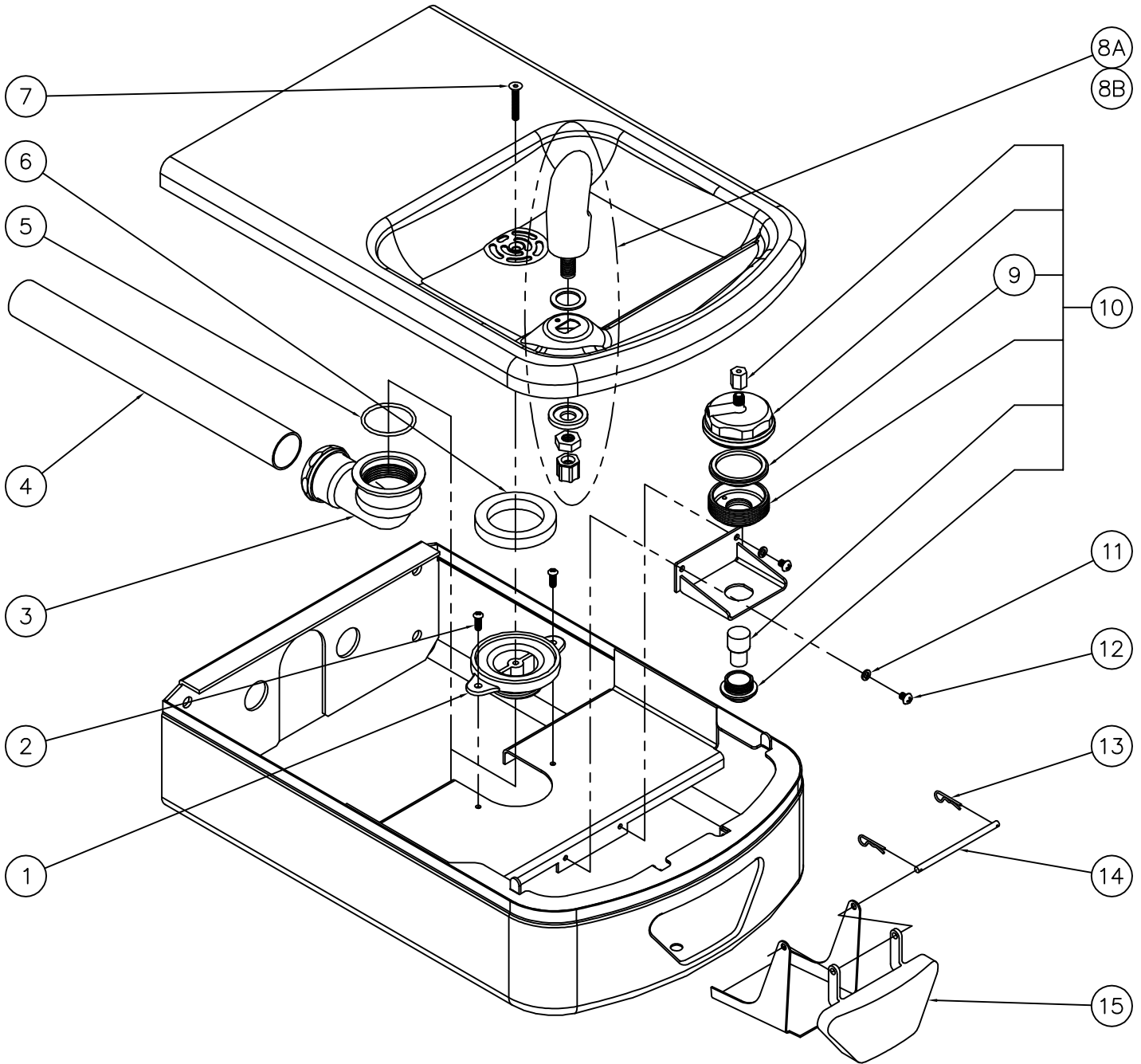
- A- PROVIDE STRUCTURAL WALL SUPPORT AT THE 16" SPACING AS SHOWN FOR ANCHORING THE -MP2 MOUNTING PLATE ①.
- B- MOUNTING PLATE ① IS 1/4" THICK WITH 1/2" DIAMETER HOLES ② IN 30 PLACES FOR ANCHORING HARDWARE ③ BY OTHERS. NOTCH/PREPARE WALL SO THAT PLATE ① AND INSTALLER PROVIDED HARDWARE ③ WILL BE CONCEALED BEHIND THE WALL FINISHING MATERIAL.
- C- THREAD 5/16" ALL-THREAD STUDS ④ THRU PLATE ① SO THAT MINIMUM 1-1/4" OF STUD WILL PROTRUDE BEYOND THE FINISHED WALL FACE. REFERENCE FIXTURE ROUGH-INS FOR LOCATION.
- D- SECURELY ANCHOR PLATE ① TO WALL WITHIN NOTCHED AREA USING HARDWARE ③ BY OTHERS.

- E- MAKE APPROPRIATE SUPPLY AND WASTE ROUGH-INS THRU THE MOUNTING PLATE ①.
- F- COMPLETE INSTALLATION OF FINISHED WALL LEAVING STUDS ④ PROTRUDING AND ROUGH-INS ACCESSIBLE.
- G- SLIDE FIXTURE OVER STUDS ④ UP AGAINST FINISHED WALL AND SECURE WITH NUTS AND WASHERS ⑤. COMPLETE THE INSTALLATION REFERENCING THE FIXTURE INSTRUCTIONS.


DIMENSION VARIES BY FIXTURE.

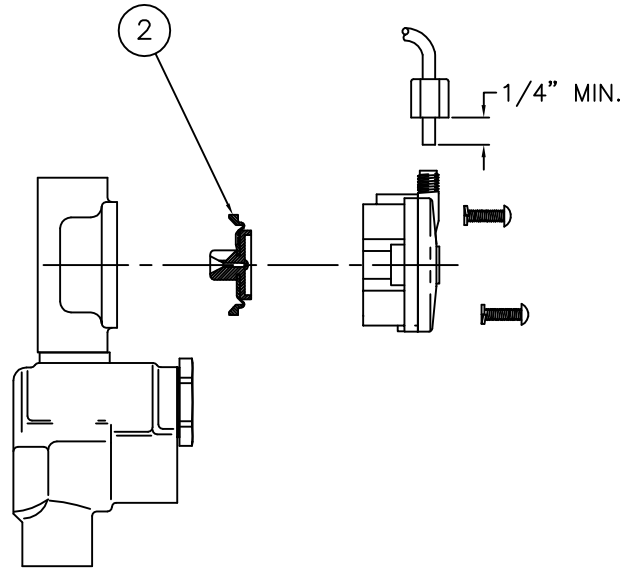
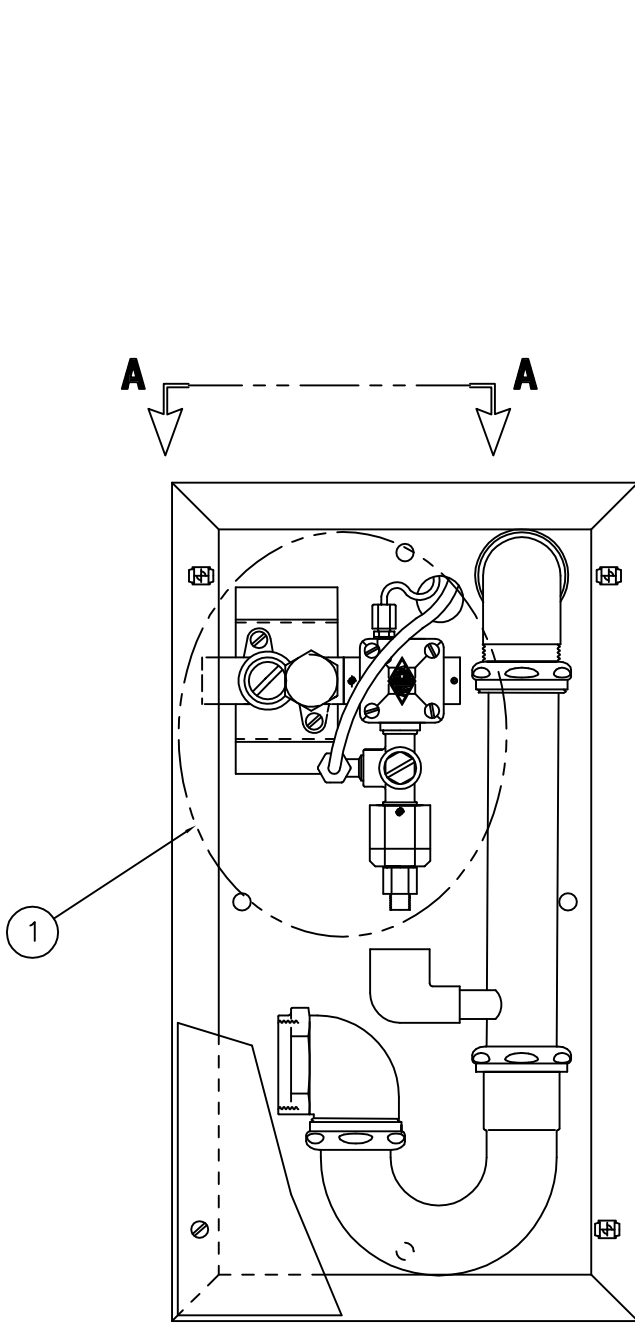
Finished Floor

| | | |
|---|---|--|
| <p>ACORN AQUA P.O. Box 3527 City of Industry, CA 91744 Phone: (800) 591-9360 www.acornaqua.com</p> | <p>TITLE STANDARD -MP2 BI-LEVEL WALL MOUNTING PLATE AND HARDWARE</p> | |
| | <p>MANUFACTURE DATE OCTOBER 2006 TO PRESENT</p> | <p>DATE ISSUED 10/11/06</p> <p>DATE REVISED</p> |



| | | | | | |
|------|--------------|--------------------------------------|------|--------------|-----------------------------------|
| 1 | 7000-005-199 | DRAIN ADAPTER | 9 | 2566-001-000 | DIAPHRAGM |
| 2 | 0116-016-000 | PHILLIPS TRUSS HEAD SCREW | 10 | 2566-050-001 | SINGLE TEMPERATURE PUSHBUTTON |
| 3 | 7000-017-001 | ELBOW ASSEMBLY | 11 | 6502-560-000 | LOCK WASHER |
| 4 | 7000-113-199 | 1-1/4" OUTER DIAMETER DRAIN TUBE | 12 | 0116-004-000 | PHILLIPS ROUND HEAD MACHINE SCREW |
| 5 | 0401-128-000 | O-RING | 13 | 0341-100-000 | WIRE CLIP |
| 6 | 7000-006-000 | FLAT DRAIN ADAPTER GASKET | 14 | 7000-100-199 | BLACK DELRIN SHAFT |
| 7 | 0152-040-000 | ALLEN FLAT HEAD SCREW | 15 | 7000-004-000 | PUSH PAD |
| 8A | 7000-002-001 | STANDARD CHROME PLATED BRASS BUBBLER | | | |
| 8B | 7000-412-002 | "F" OPTION FLEXIBLE BUBBLER ASSEMBLY | | | |
| ITEM | PART NUMBER | DESCRIPTION | ITEM | PART NUMBER | DESCRIPTION |

| | | | |
|--|---|--|--|
|  ACORN AQUA P.O. Box 3527 City of Industry, CA 91744 Phone: (800) 591-9360 www.acornaqua.com | TITLE FREEZE RESISTANT PUSH PAD OPERATED 18 GAGE OVAL BOX FOUNTAIN | | |
| | MANUFACTURE DATE JANUARY 2006 TO PRESENT | DATE ISSUED 10/31/05 | DRAWING NUMBER 9938-016-500 |
| | | DATE REVISED 12/18/07 | |

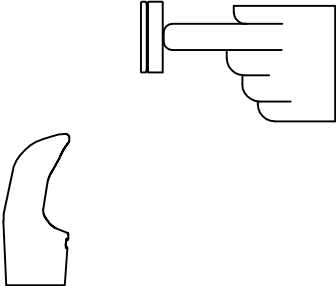

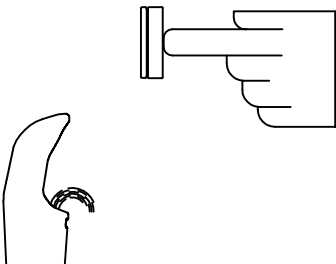
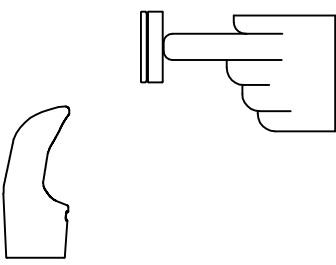


VIEW A-A

| | | | | | |
|--|--------------|--|-----------------|--------------|--------------------------|
| 1 | 2589-400-001 | 1-STATION FREEZE-RESISTANT VALVE ASSY. | 2 | 2563-010-001 | WATER DIAPHRAGM ASSEMBLY |
| ITEM | PART NUMBER | DESCRIPTION | ITEM | PART NUMBER | DESCRIPTION |
| ACORN AQUA P.O. Box 3527 City of Industry, CA 91744 Phone: (800) 591-9360 www.acornaqua.com | | | | | |
| TITLE | | | | | |
| OPTIONAL -FRA1 FREEZE RESISTANT VALVE ASSEMBLY | | | | | |
| MANUFACTURE DATE | | | DATE ISSUED | | DRAWING NUMBER |
| JANUARY 2006 TO PRESENT | | | 10/20/05 | | |
| | | | DATE REVISED | | 9938-330-500 |



**PUSH PAD / PUSH BUTTON FREEZE RESISTANT & STONE DRINKING FOUNTAINS
NON-METERING AIR-CONTROLLED VALVE - (DIRECT ACTING)**

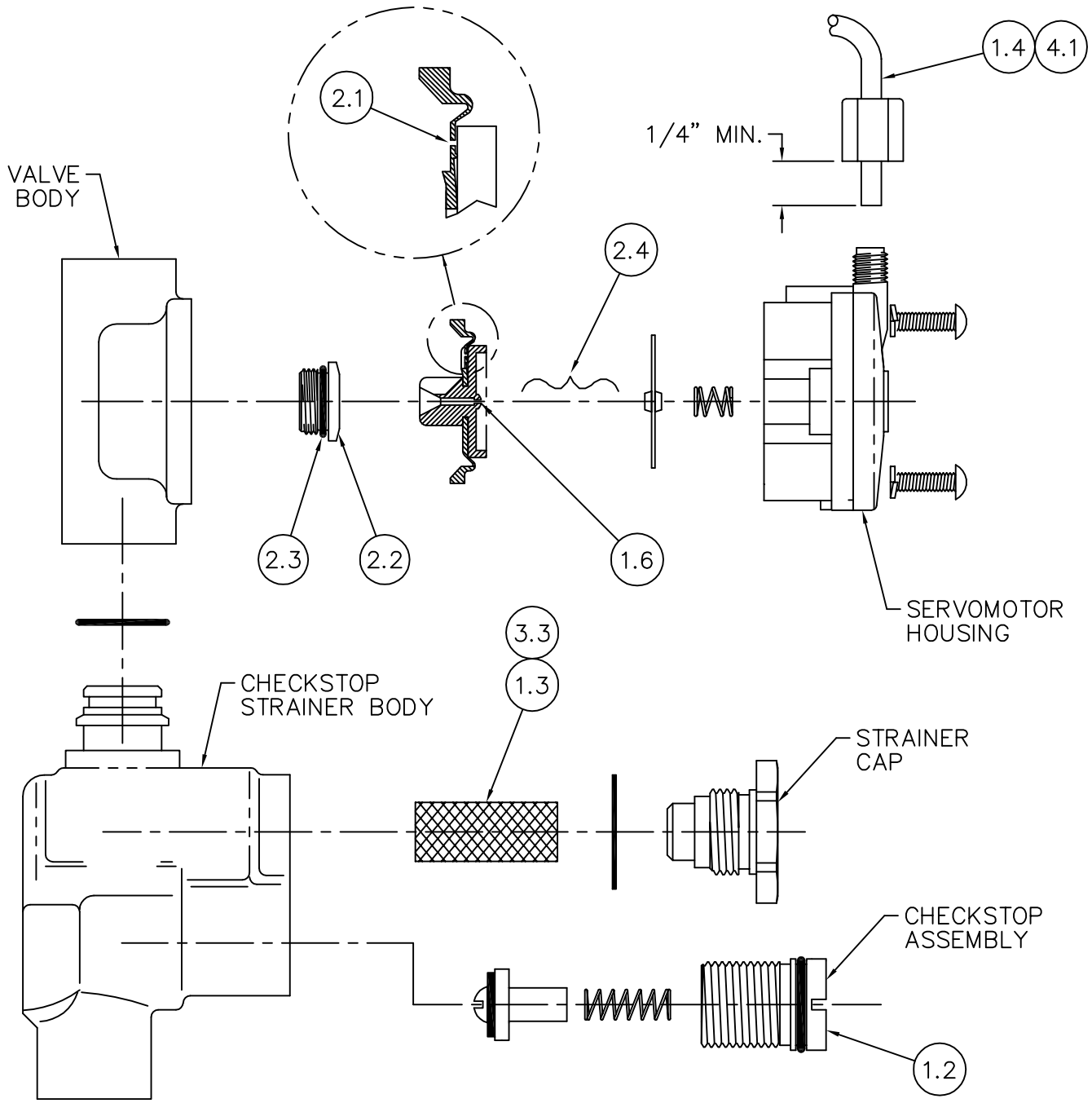
| CONDITION: | SOLUTION: |
|---|--|
| <p>NO WATER FLOW:</p>  | <ol style="list-style-type: none"> 1.1 Check water main supply – open. 1.2 Inspect checkstops – open. 1.3 Inspect checkstop strainer for debris – clean. 1.4 Check 1/8” O.D. tubing and fittings for leaks. 1.5 Check pushbutton air diaphragm for holes. 1.6 Check servomotor diaphragm center hole for blockage. |
| <p>WATER DRIPS / WILL NOT SHUT OFF:</p>  | <ol style="list-style-type: none"> 2.1 Check servomotor diaphragm offset hole for debris. 2.2 Check servomotor seat for build-up or damage. 2.3 Check servomotor seat o-ring for damage. 2.4 Check servomotor plate and diaphragm for obstruction. |
| <p>REDUCED WATER FLOW:</p>  | <ol style="list-style-type: none"> 3.1 Check water main supply for 20 psig minimum flow pressure. 3.2 Check valve riser tubing for crimping. 3.3 Inspect checkstop strainer for debris – clean. 3.4 Check valve flow control for blockage – clean. 3.5 Inspect bubbler for debris – clean. |
| <p>PREMATURE WATER SHUTOFF:</p>  | <ol style="list-style-type: none"> 4.1 Check 1/8” O.D. tubing and fittings for leaks. 4.2 Check pushbutton air diaphragm for holes. |

Refer to Air-Controlled Valve Maintenance Detail on drawing # 9940-203-001 for -FRA_ Above Ground units and on drawing # 9940-204-001 for Stone & -FRU_ Below Ground units to locate solutions above.

| | | | |
|---|--|---|--|
| <p>ACORN AQUA P.O. Box 3527 City of Industry, CA 91744 Phone: (800) 591-9360 www.acornaqua.com</p> | <p>TITLE STONE & FREEZE RESISTANT FOUNTAIN VALVE MAINTENANCE INSTRUCTIONS</p> | | |
| <p>MANUFACTURE DATE JANUARY 2006 TO PRESENT</p> | <p>DATE ISSUED 10/20/05</p> | <p>DRAWING NUMBER 9940-202-001</p> | |
| <p>DATE REVISED 11/20/06</p> | | | |



**PUSH PAD / PUSH BUTTON ABOVE GROUND FREEZE RESISTANT DRINKING FOUNTAIN
NON-METERING AIR-CONTROLLED VALVE - (DIRECT ACTING)**



CHECKSTOP STRAINER - SERVMOTOR DETAIL

Refer to drawing #9940-202-001 for Valve Maintenance Instructions numbered solutions detailed above.

| | | | |
|---|--|--|--|
| <p>ACORN AQUA P.O. Box 3527 City of Industry, CA 91744 Phone: (800) 591-9360 www.acornaqua.com</p> | <p>TITLE -FRA_ NON-METERING AIR-CONTROLLED VALVE MAINTENANCE INSTRUCTIONS</p> | | |
| | <p>MANUFACTURE DATE</p> <p>JANUARY 2006 TO PRESENT</p> | <p>DATE ISSUED</p> <p>10/20/05</p> <p>DATE REVISED</p> <p>12/07/05</p> | <p>DRAWING NUMBER</p> <p>9940-203-001</p> |