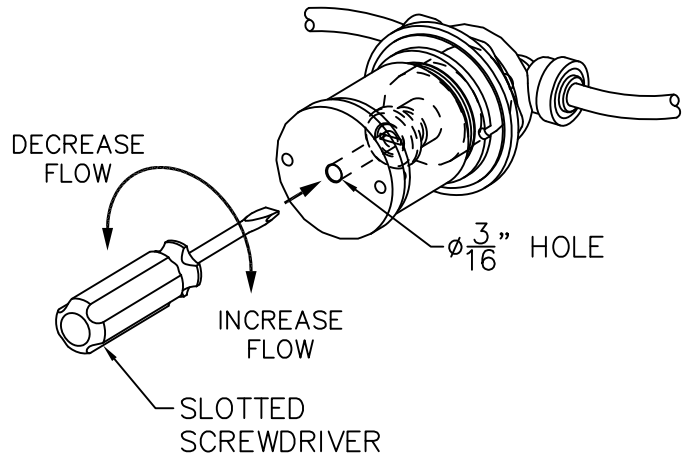
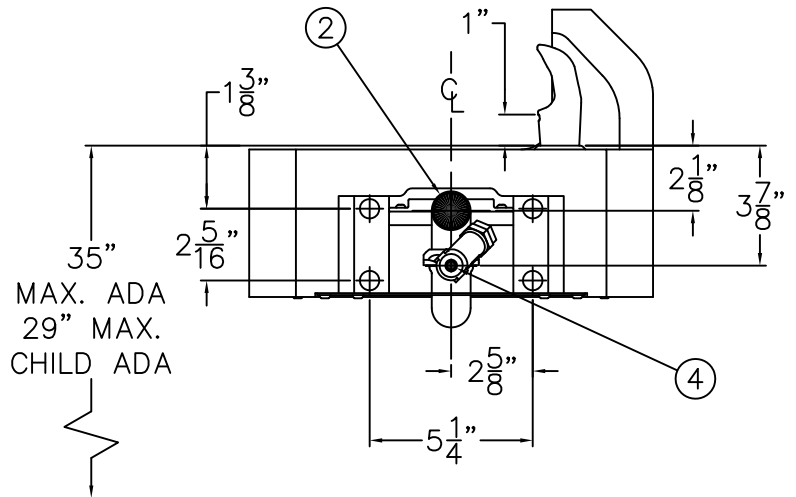


**DETAIL A
FLOW ADJUSTMENT**



BACK ROUGH-IN VIEW



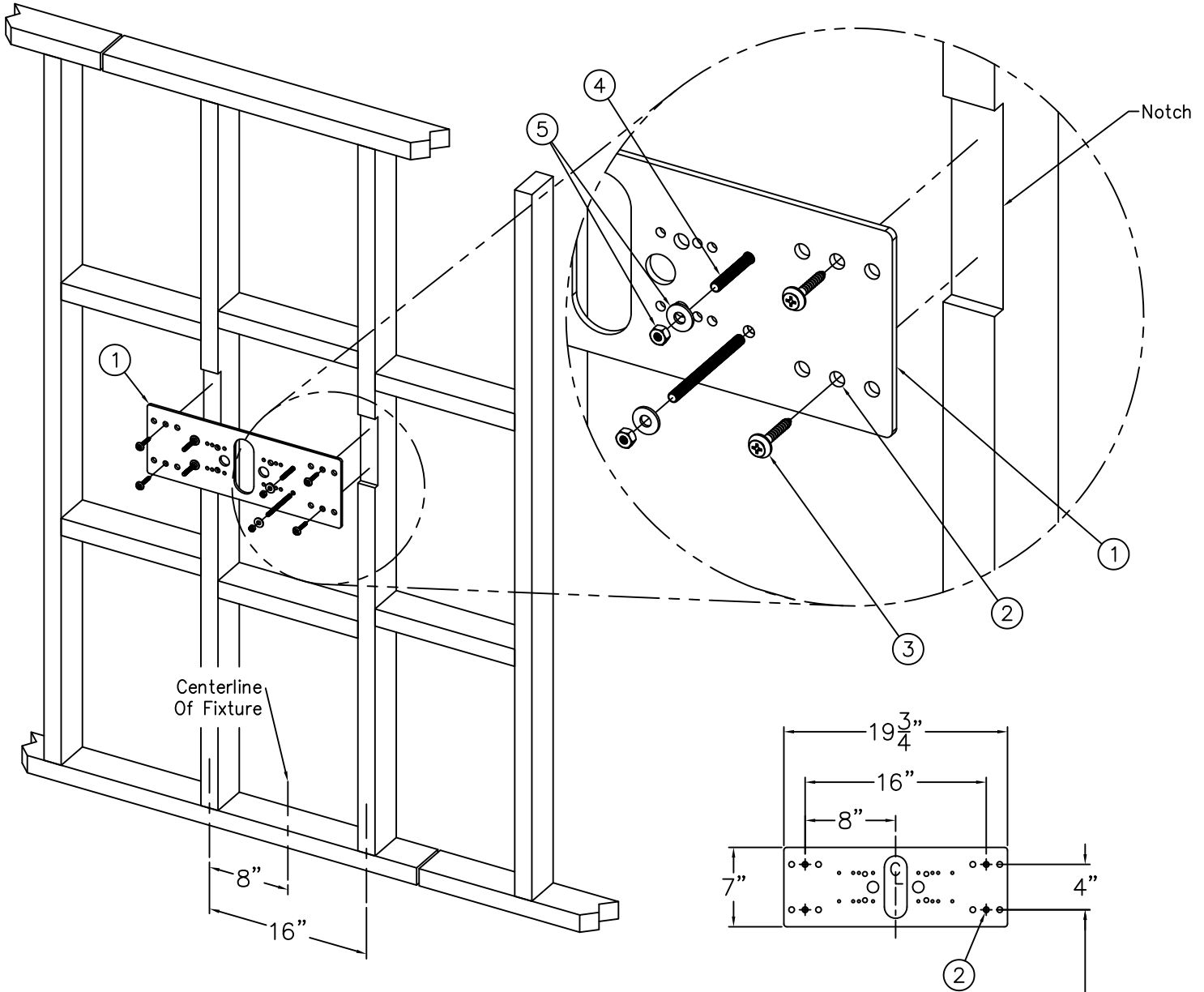
INSTALLATION INSTRUCTIONS:

- A- REFER TO DRAWING # 9938-375-001 TO INSTALL STANDARD SUPPLIED WALL MOUNTING PLATE (1).
- B- ROUGH-IN WASTE OUTLET (2) AT DIMENSION SHOWN FOR 1-1/4" OUTER DIAMETER PLAIN END P-TRAP (3).
- C- ROUGH-IN WATER SUPPLY (4) AT DIMENSION SHOWN FOR THE 1/4" NOMINAL (3/8" O.D.) x 4" LONG COPPER TUBE CONNECTED TO THE IN-LINE STRAINER (5) PROVIDED. STOP RECOMMENDED ON SUPPLY IS TO BE SUPPLIED BY OTHERS.
- D- CAREFULLY REMOVE FIXTURE (6) AND COMPONENTS FROM THE PACKAGING PREVENTING SCRATCHING AND DAMAGE.
- E- REMOVE BOTTOM ACCESS PANEL (7). ENSURE PUSHBUTTON (8), P-TRAP (3), AND BUBBLER ARE SECURE AND CHECK ALL TUBING CONNECTIONS TO MAKE SURE THEY DID NOT COME LOOSE IN SHIPMENT.

- F- SLIDE FIXTURE OVER STUDS FROM WALL MOUNTING PLATE (1) AND SECURE WITH NUTS AND WASHERS (9).
- G- MAKE-UP 1-1/4" O.D. WASTE CONNECTION TO P-TRAP (3).
- H- FLUSH WATER SUPPLY (4) BY OTHERS OF ALL DEBRIS PRIOR TO CONNECTING TO FIXTURE.
- I- CONNECT WATER SUPPLY (4) BY OTHERS TO 1/4" NOMINAL COPPER TUBE INLET. STOP ON THE SUPPLY IS RECOMMENDED.
- J- TEST OPERATION OF BUBBLER BY DEPRESSING BUTTON (8). ADJUST THE FLOW RATE AS REQUIRED. SEE DETAIL A. CHECK ALL CONNECTIONS AND WASTE PIPING FOR LEAKS. CORRECT IF PRESENT.
- K- RE-INSTALL BOTTOM ACCESS PANEL (7).

NOTE:
STANDARD VALVE SHOWN. FOR THE OPTIONAL -FRA1 FREEZE RESISTANT VALVE REFERENCE DRAWING # 9938-330-001.

| | | | |
|---|---|---|--|
| <p>ACORN AQUA P.O. Box 3527 City of Industry, CA 91744 Phone: (800) 591-9360 www.acornaqua.com</p> | <p>TITLE SQUARE OUTDOOR STONE WALL MOUNTED DRINKING FOUNTAIN</p> | | |
| | <p>MANUFACTURE DATE</p> <p>OCTOBER 2005</p> <p>TO PRESENT</p> | <p>DATE ISSUED</p> <p>09/27/05</p> <p>DATE REVISED</p> | <p>DRAWING NUMBER</p> <p>9938-210-001</p> |

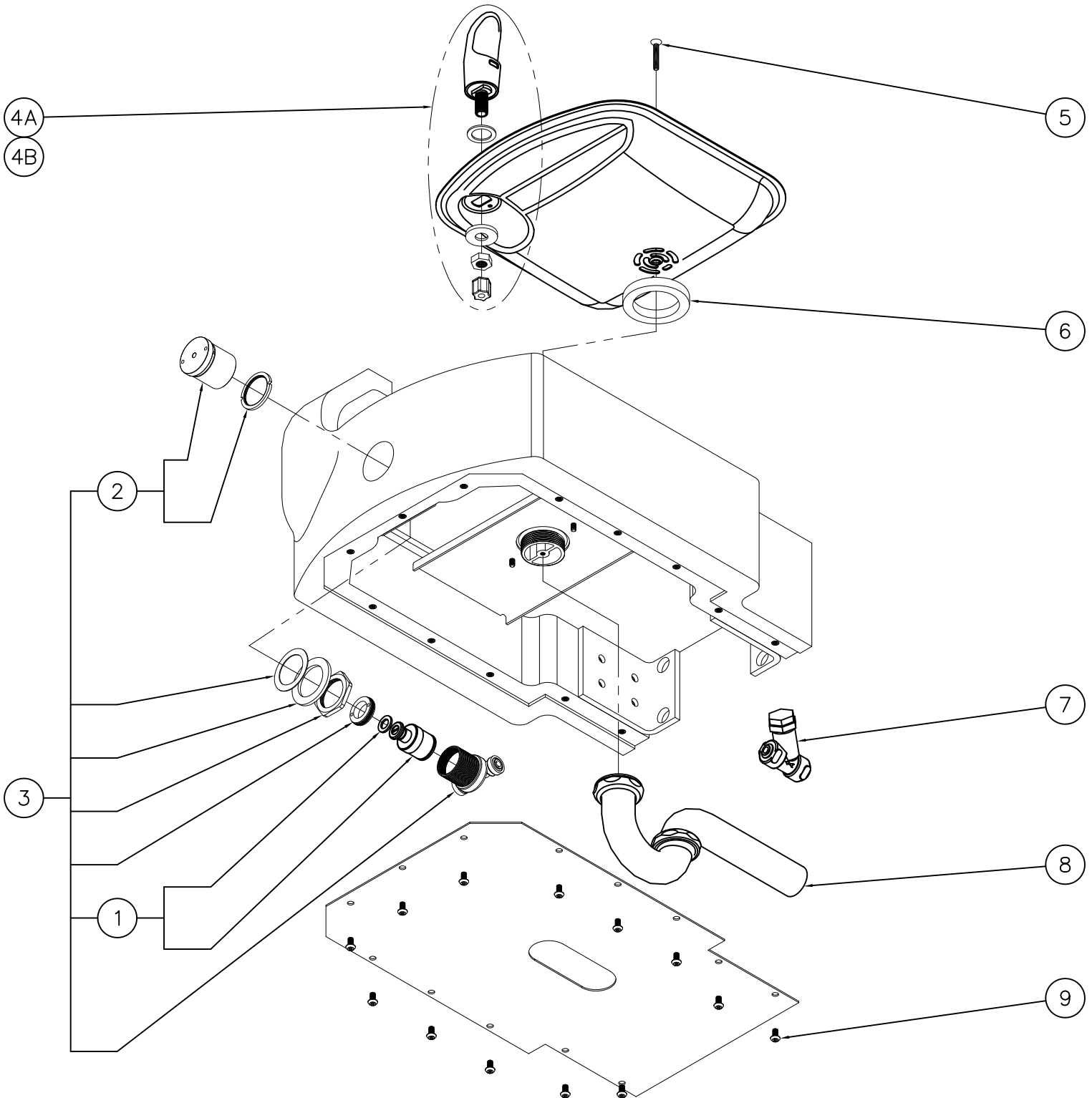


INSTALLATION INSTRUCTIONS:

- A- PROVIDE STRUCTURAL WALL SUPPORT AT THE 16" SPACING AS SHOWN FOR ANCHORING THE -MP1 MOUNTING PLATE ①.
- B- MOUNTING PLATE ① IS 1/4" THICK WITH 1/2" DIAMETER HOLES ② IN 12 PLACES FOR ANCHORING HARDWARE ③ BY OTHERS. NOTCH/PREPARE WALL SO THAT PLATE ① AND INSTALLER PROVIDED HARDWARE ③ WILL BE CONCEALED BEHIND THE WALL FINISHING MATERIAL.
- C- THREAD 5/16" ALL-THREAD STUDS ④ THRU PLATE ① SO THAT MINIMUM 1-1/4" OF STUD WILL PROTRUDE BEYOND THE FINISHED WALL FACE. REFERENCE FIXTURE ROUGH-INS FOR LOCATION.
- D- SECURELY ANCHOR PLATE ① TO WALL WITHIN NOTCHED AREA USING HARDWARE ③ BY OTHERS.
- E- MAKE APPROPRIATE SUPPLY AND WASTE ROUGH-INS THRU THE MOUNTING PLATE ①.

- F- COMPLETE INSTALLATION OF FINISHED WALL LEAVING STUDS ④ PROTRUDING AND ROUGH-INS ACCESSIBLE.
- G- SLIDE FIXTURE OVER STUDS ④ UP AGAINST FINISHED WALL AND SECURE WITH NUTS AND WASHERS ⑤. COMPLETE THE INSTALLATION REFERENCING THE FIXTURE INSTRUCTIONS.

| | | | |
|---|---|--|--|
| <p>ACORN AQUA P.O. Box 3527 City of Industry, CA 91744 Phone: (800) 591-9360 www.acornaqua.com</p> | <p>TITLE STANDARD -MP1 WALL MOUNTING PLATE AND HARDWARE</p> | | |
| | <p>MANUFACTURE DATE</p> <p>JANUARY 2006</p> <p>TO PRESENT</p> | <p>DATE ISSUED</p> <p>09/28/05</p> <p>DATE REVISED</p> <p>10-20-08</p> | <p>DRAWING NUMBER</p> <p>9938-375-001</p> |



| | | | | | |
|------|--------------|--------------------------------------|------|--------------|---------------------------------------|
| 1 | 7000-069-001 | VALVE CARTRIDGE WITH FOAM WASHER | 5 | 0152-040-000 | ALLEN FLAT HEAD SCREW |
| 2 | 7000-076-001 | RETAINING RING AND STONE BUTTON ASSY | 6 | 7000-006-000 | FLAT DRAIN ADAPTER GASKET |
| 3 | 7000-085-001 | STONE RECESSED PUSHBUTTON VALVE ASSY | 7 | 7000-022-000 | "Y" STRAINER |
| 4A | 7000-002-001 | STANDARD CHROME PLATED BRASS BUBBLER | 8 | 7000-015-001 | 1-1/4" OUTER DIAMETER P-TRAP |
| 4B | 7000-410-002 | "F" OPTION FLEXIBLE BUBBLER ASSEMBLY | 9 | 0112-002-000 | CENTER REJECT ALLEN BUTTON HEAD SCREW |
| ITEM | PART NUMBER | DESCRIPTION | ITEM | PART NUMBER | DESCRIPTION |

ACORN AQUA
P.O. Box 3527 City of Industry, CA 91744
Phone: (800) 591-9360 www.acornaqua.com

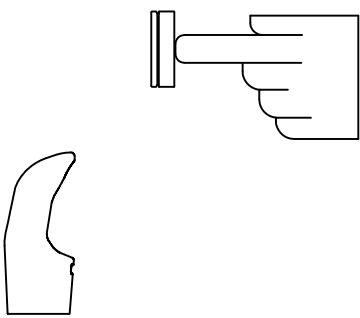

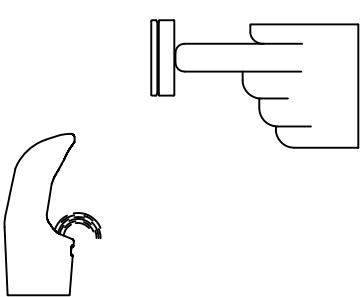
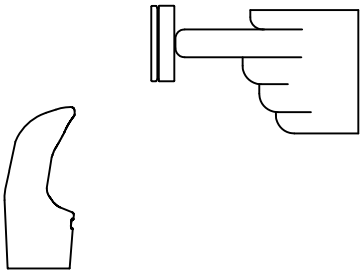
TITLE **SQUARE OUTDOOR STONE WALL MOUNTED DRINKING FOUNTAIN**

| | | |
|--|---------------------------------|---------------------------------------|
| MANUFACTURE DATE JANUARY 2006 TO PRESENT | DATE ISSUED 11/01/05 | DRAWING NUMBER 9938-210-500 |
| | DATE REVISED 04/06/10 | |


**PUSH PAD / PUSH BUTTON FREEZE RESISTANT & STONE DRINKING FOUNTAINS
NON-METERING AIR-CONTROLLED VALVE - (DIRECT ACTING)**

CONDITION:

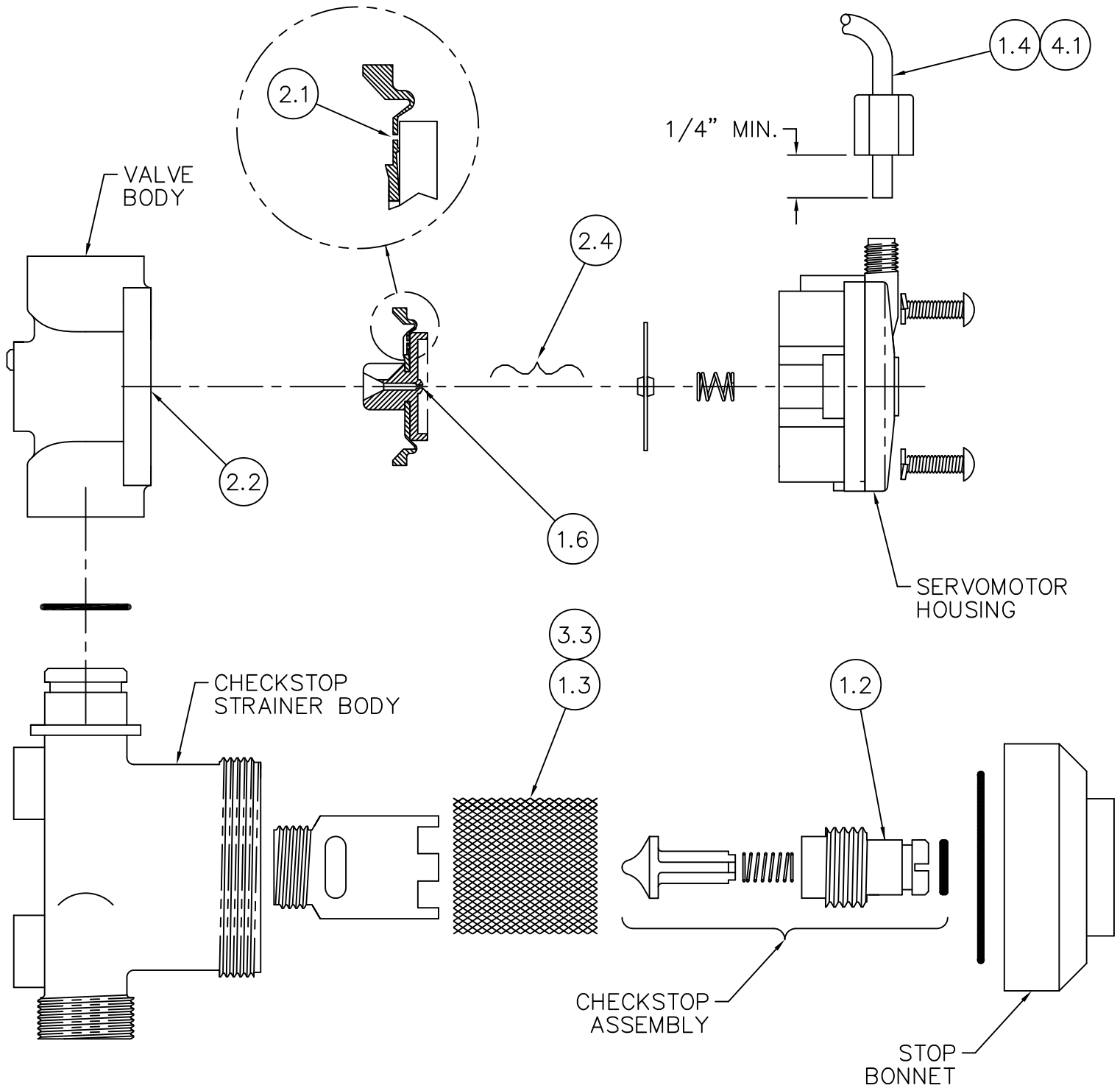
SOLUTION:

| | |
|---|--|
| <p>NO WATER FLOW:</p>  | <ol style="list-style-type: none"> 1.1 Check water main supply – open. 1.2 Inspect checkstops – open. 1.3 Inspect checkstop strainer for debris – clean. 1.4 Check 1/8” O.D. tubing and fittings for leaks. 1.5 Check pushbutton air diaphragm for holes. 1.6 Check servomotor diaphragm center hole for blockage. |
| <p>WATER DRIPS / WILL NOT SHUT OFF:</p>  | <ol style="list-style-type: none"> 2.1 Check servomotor diaphragm offset hole for debris. 2.2 Check servomotor seat for build-up or damage. 2.3 Check servomotor seat o-ring for damage. 2.4 Check servomotor plate and diaphragm for obstruction. |
| <p>REDUCED WATER FLOW:</p>  | <ol style="list-style-type: none"> 3.1 Check water main supply for 20 psig minimum flow pressure. 3.2 Check valve riser tubing for crimping. 3.3 Inspect checkstop strainer for debris – clean. 3.4 Check valve flow control for blockage – clean. 3.5 Inspect bubbler for debris – clean. |
| <p>PREMATURE WATER SHUTOFF:</p>  | <ol style="list-style-type: none"> 4.1 Check 1/8” O.D. tubing and fittings for leaks. 4.2 Check pushbutton air diaphragm for holes. |

Refer to Air-Controlled Valve Maintenance Detail on drawing # 9940-203-001 for -FRA_ Above Ground units and on drawing # 9940-204-001 for Stone & -FRU_ Below Ground units to locate solutions above.

| | | | |
|--|--|---|--|
|  <p>ACORN AQUA P.O. Box 3527 City of Industry, CA 91744 Phone: (800) 591-9360 www.acornaqua.com</p> | <p>TITLE STONE & FREEZE RESISTANT FOUNTAIN VALVE MAINTENANCE INSTRUCTIONS</p> | | |
| <p>MANUFACTURE DATE JANUARY 2006 TO PRESENT</p> | <p>DATE ISSUED 10/20/05</p> <p>DATE REVISED 10-20-08</p> | <p>DRAWING NUMBER 9940-202-001</p> | |

**PUSH PAD / PUSH BUTTON STONE & BELOW GROUND FREEZE RESISTANT DRINKING FOUNTAINS
NON-METERING AIR-CONTROLLED VALVE - (DIRECT ACTING)**



CHECKSTOP STRAINER - SERVMOTOR DETAIL

Refer to drawing #9940-202-001 for Valve Maintenance Instructions numbered solutions detailed above.

| | | | |
|---|--|--|--|
| <p>ACORN AQUA P.O. Box 3527 City of Industry, CA 91744 Phone: (800) 591-9360 www.acornaqua.com</p> | <p>TITLE NON-METERING AIR-CONTROLLED VALVE MAINTENANCE INSTRUCTIONS</p> | | |
| | <p>MANUFACTURE DATE</p> <p>JANUARY 2006 TO PRESENT</p> | <p>DATE ISSUED</p> <p>12/07/05</p> <hr/> <p>DATE REVISED</p> <p>10-20-08</p> | <p>DRAWING NUMBER</p> <p>9940-204-001</p> |