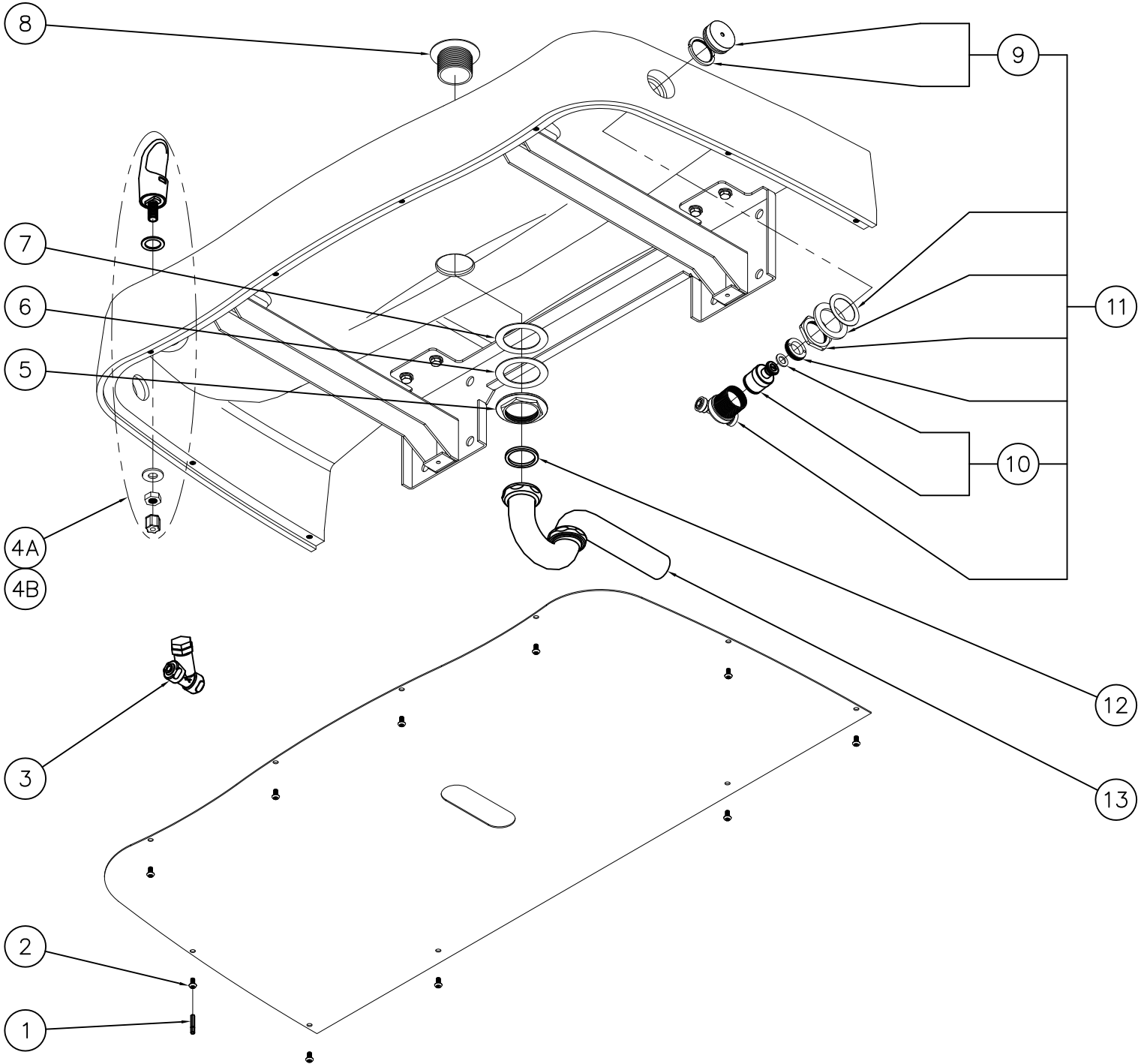


**INSTALLATION INSTRUCTIONS:**

- A- IF NOT USING OPTIONAL -CSC CONCEALED SUPPORT CARRIER OR OPTIONAL -MP3 MOUNTING PLATE AND HARDWARE, THEN STRUCTURALLY REINFORCE THE WALL BEHIND THE EIGHT 1 1/2" DIAMETER MOUNTING HOLES (1) AT THE DIMENSIONS SHOWN AND INSTALL WALL ANCHORS BY OTHERS.
- B- ROUGH-IN WASTE OUTLET (2) AT DIMENSION SHOWN FOR 1-1/4" OUTER DIAMETER PLAIN END P-TRAP (3).
- C- ROUGH-IN WATER SUPPLY (4) AT DIMENSION SHOWN FOR 1/4" NOMINAL (3/8" O.D.) x 4" LONG COPPER TUBE CONNECTED TO IN-LINE STRAINER (5) PROVIDED. RECOMMENDED STOP ON SUPPLY IS TO BE SUPPLIED BY OTHERS.
- D- CAREFULLY REMOVE FIXTURE (6) AND COMPONENTS FROM THE PACKAGING PREVENTING SCRATCHING AND DAMAGE.
- E- REMOVE BOTTOM PLATE (7). ENSURE THE PUSHBUTTONS (8), BUBBLERS (9), AND THE GRID STRAINER (10) ARE SECURELY ASSEMBLED TO THE FIXTURE (6), AND CHECK ALL TUBING CONNECTIONS TO MAKE SURE THEY DID NOT COME LOOSE IN SHIPMENT.
- F- SECURELY ANCHOR FIXTURE (6) TO WALL THRU MOUNTING HOLES (1) WITH ANCHORING HARDWARE BY OTHERS.
- G- ASSEMBLE P-TRAP (3) TO GRID STRAINER (10) TAILPIECE AND MAKE-UP 1-1/4" O.D. WASTE CONNECTION.
- H- FLUSH WATER SUPPLY (4) BY OTHERS OF ALL DEBRIS PRIOR TO CONNECTING TO FIXTURE.

- I- CONNECT WATER SUPPLY (4) BY OTHERS TO 1/4" NOMINAL COPPER TUBE INLET. STOP ON THE SUPPLY IS RECOMMENDED.
- J- TEST OPERATION OF BUBBLERS (9) BY DEPRESSING BUTTONS (8). ADJUST FLOW RATE AS REQUIRED. SEE DETAIL A. CHECK ALL CONNECTIONS AND WASTE PIPING FOR LEAKS. CORRECT IF PRESENT.
- K- RE-INSTALL BOTTOM PLATE (7) TO THE FIXTURE (6) WITH SCREWS (11) PROVIDED.

<p><b>ACORN AQUA</b> P.O. Box 3527 City of Industry, CA 91744 Phone: (800) 591-9360 www.acornaqua.com</p>	<p>TITLE <b>TWO STATION SOLID SURFACE WALL MOUNTED DRINKING FOUNTAIN</b></p>		
	<p>MANUFACTURE DATE</p> <p><b>JANUARY 2006 TO PRESENT</b></p>	<p>DATE ISSUED</p> <p><b>09/27/05</b></p> <p>DATE REVISED</p> <p><b>05/03/06</b></p>	<p>DRAWING NUMBER</p> <p><b>9938-035-001</b></p>



1	0296-025-199	CENTER REJECT HEX DRIVER BIT	7	0431-223-000	RUBBER GASKET
2	0112-002-000	CENTER REJECT ALLEN BUTTON HEAD SCREW	8	7000-018-199	1-1/4" NPSM GRID STRAINER
3	7000-022-000	"Y" STRAINER	9	7000-068-001	RETAINING RING & BUTTON ASSEMBLY
4A	7000-003-001	STANDARD CHROME PLATED BRASS BUBBLER	10	7000-069-001	VALVE CARTRIDGE WITH FOAM WASHER
4B	7000-412-002	"F" OPTION FLEXIBLE BUBBLER ASSEMBLY	11	7000-065-001	RECESSED PUSHBUTTON VALVE ASSEMBLY
5	7000-020-199	1-1/4" NPSM FLANGE NUT	12	0430-003-000	NEOPRENE GASKET
6	0411-025-000	FIBER GASKET	13	7000-015-000	1-1/4" OUTER DIAMETER P-TRAP
ITEM	PART NUMBER	DESCRIPTION	ITEM	PART NUMBER	DESCRIPTION

**ACORN AQUA**  
 P.O. Box 3527 City of Industry, CA 91744  
 Phone: (800) 591-9360 www.acornaqua.com

TITLE **TWO STATION SOLID SURFACE WALL MOUNTED DRINKING FOUNTAIN**

MANUFACTURE DATE  
**JANUARY 2006**  
**TO PRESENT**

DATE ISSUED  
**11/01/05**  
 DATE REVISED  
**04/07/10**

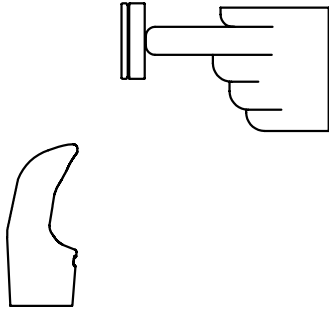
DRAWING NUMBER  
**9938-035-500**

**STANDARD PUSH PAD / PUSH BUTTON DRINKING FOUNTAIN**

**CONDITION:**

**SOLUTION:**

**NO WATER FLOW:**



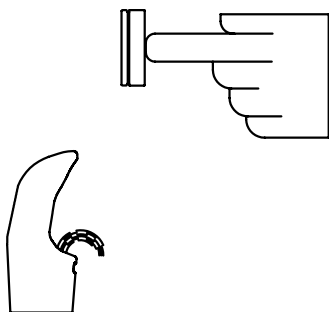
- 1.1 Check water main supply – open.
- 1.2 Inspect stop (by others) – open & no debris.
- 1.3 Inspect in–line strainer for debris – clean.
- 1.4 Replace valve cartridge.

**WATER DRIPS / WILL NOT SHUT OFF:**



- 2.1 For push pad activated drinking fountains only: Open fixture and move valve bracket assembly further back from push pad.
- 2.2 Replace valve cartridge.

**REDUCED WATER FLOW:**



- 3.1 Adjust the valve flow rate. See appropriate fixture installation instructions.
- 3.2 Check water main supply for 20 psig minimum flow pressure.
- 3.3 Inspect stop (by others) – open & no debris.
- 3.4 Inspect in–line strainer for debris – clean.
- 3.5 Inspect bubbler for debris – clean.
- 3.6 Inspect all tubing for twists or kinks.
- 3.7 Replace valve cartridge.