

INSTALLATION, OPERATION AND MAINTENANCE INSTRUCTIONS

AquaCold Less Refrigeration Compact and Deluxe Wall Mounted Drinking Fountains



A211100F / A211100B / A211100P / A211400F / A211400B / A211400P
A311100F / A311100B / A311100P / A311400F / A311400B / A311400P

TECHNICAL ASSISTANCE TOLL FREE TELEPHONE NUMBER:

1.800.591.9360

Technical Assistance Fax: 1.626.855.4894

NOTES TO INSTALLER:

1. Please leave this documentation with the owner of the fixture when finished.
2. Please read this entire booklet before beginning the installation.
3. Check your installation for compliance with plumbing, electrical and other applicable codes.

LIMITED WARRANTY - UNITED STATES & CANADA

Acorn Aqua warrants that its products are free from defects in material or workmanship under normal use and service for a period of one year from date of shipment. Acorn's liability under this warranty shall be discharged solely by replacement or repair of defective material, provided Acorn is notified in writing within one year from date of shipment, F.O.B. Industry, California.

This warranty does not cover installation or labor charges and does not apply to materials, which have been damaged by other causes such as mishandling or improper care or abnormal use. The repair or replacement of the defective materials shall constitute the sole remedy of the Buyer and the sole remedy of Acorn under this warranty. Acorn shall not be liable under any circumstances for incidental, consequential or direct charges caused by defects in the materials, or any delay in the repair or replacement thereof. This warranty is in lieu of all other warranties expressed or implied. Product maintenance instructions are issued with each unit and disregard or non-compliance with these instructions will constitute an abnormal use condition and void the warranty. Stainless steel must be protected on jobsites during construction and must be properly maintained after the water has been introduced into the water cooler or drinking fountain, or Acorn's limited warranty is void.

LIMITED EXPORT WARRANTY – One year on parts only.

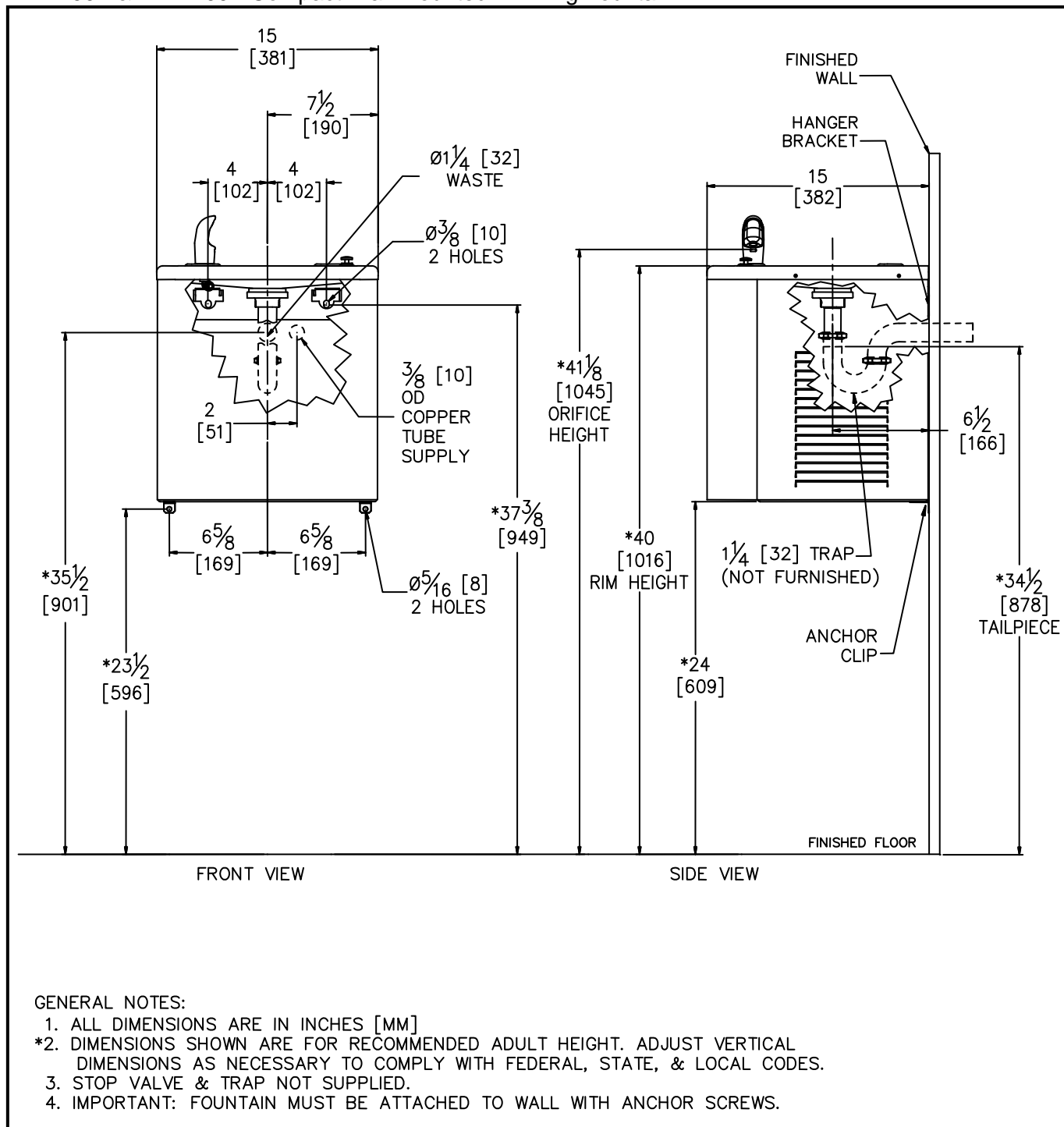


ACORN AQUA
P.O. Box 3527
City of Industry, CA 91744-0527
United States of America
www.acornaqua.com

ROUGHING-IN AND DIMENSIONAL DRAWING

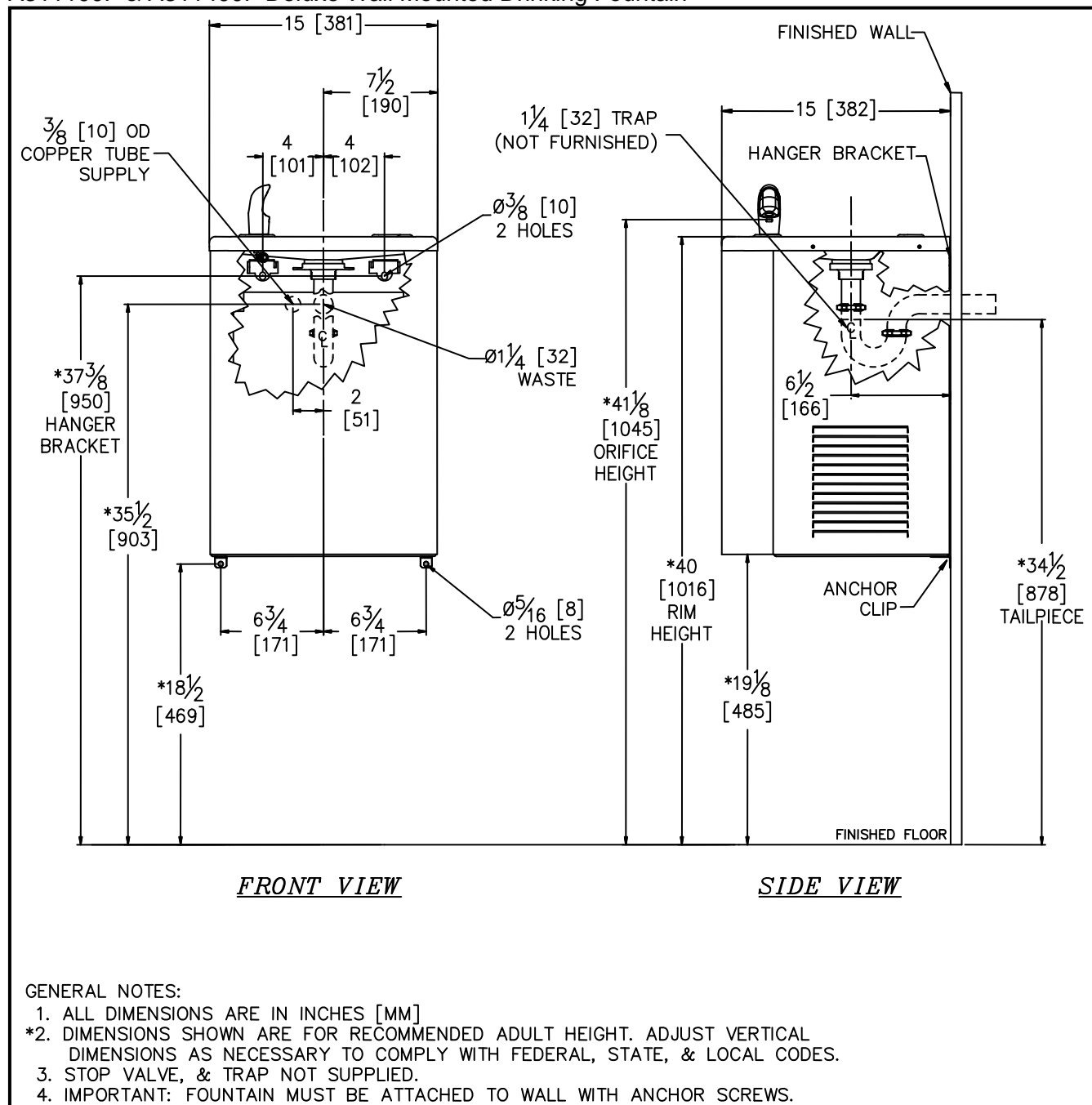
Prior to roughing consult with local, state, and federal codes for proper mounting height.

A211100F & A211400F Compact Wall Mounted Drinking Fountain



See next page for A311100F & A311400F Deluxe Wall Mounted Drinking Fountain roughing-in and dimensional drawing.

A311100F & A311400F Deluxe Wall Mounted Drinking Fountain



See previous page for A211100F & A211400F Compact Wall Mounted Drinking Fountain roughing-in and dimensional drawing.

IMPORTANT:

1. Waste P-Trap and Water Supply Service Stop Valve to be supplied by others in accordance with local codes.
2. Water supply is 3/8" Outer Diameter copper tube. Waste is 1-1/4" Outer Diameter.
3. Completely flush supply lines of all foreign debris before connecting to fixture. Optional water filter is available should there be problems from the water supply with taste, odor, color, or sediment.
4. Do **NOT** solder tubes inserted into the strainer as damage to the o-ring may result.
5. All burrs must be removed from outside of cut tubes before inserting into strainer or other components.

6. **WARNING:** Warranty is voided if installation is not made following current Acorn Aqua installation instructions and if components are assembled to the fixture that are not approved by Acorn Aqua.
7. Fixture operates within water pressure range of 20 to 105 psig. Acorn Aqua will not warranty fixtures damaged when connected to supply lines with flow pressure lower than 20 psig or higher than 105 psig. A pressure regulator must be furnished by others on supply line if inlet pressure is greater than 105 psig.

INSTALLATION:

1. Mount hanger bracket to wall as shown in Roughing-In and Dimensional Drawing. Note: Adjust height if different bubbler outlet height from that shown is required. **WARNING:** Hanger Bracket **MUST** be securely anchored. If wall can not provide adequate support, order and install optional fixture support carrier.
2. Hang the drinking fountain on the hanger bracket making sure the bracket tabs properly engage the slots in the back of the fixture.
3. Anchor drinking fountain to wall through anchor clips on the bottom of the base.
4. Remove the front panel from the drinking fountain by loosening bottom front panel clips, spread bottom of panel so that returns clear the brackets and carefully pull down. Set panel aside in a safe place where it will not be damaged.
5. After thoroughly flushing the 3/8" o.d. supply line, connect water supply to drinking fountain.
6. Make up 1-1/4" o.d. p-trap waste connection.

START UP:

1. Before assembling front panel to drinking fountain, but after thoroughly flushing the supply line and connecting it to the fixture, turn on building water supply and check all connections for leaks.
2. Air within the drinking fountain or the structure supply piping will cause an irregular bubbler outlet stream until purged out by incoming water. Covering the bubbler with a clean cup (or similar object) is recommended when first activating drinking fountain to prevent excessive splashing. Depress push button until steady water stream is achieved.
3. If water flow requires adjustment, insert a slotted narrow blade screwdriver in the hole of the bracket below the push button into the flow regulator. Turning clockwise will increase flow and turning counterclockwise will decrease flow.
4. Recheck all water and drain connections with water flowing through system.
5. Assemble front panel to drinking fountain and tighten bottom front panel clips.

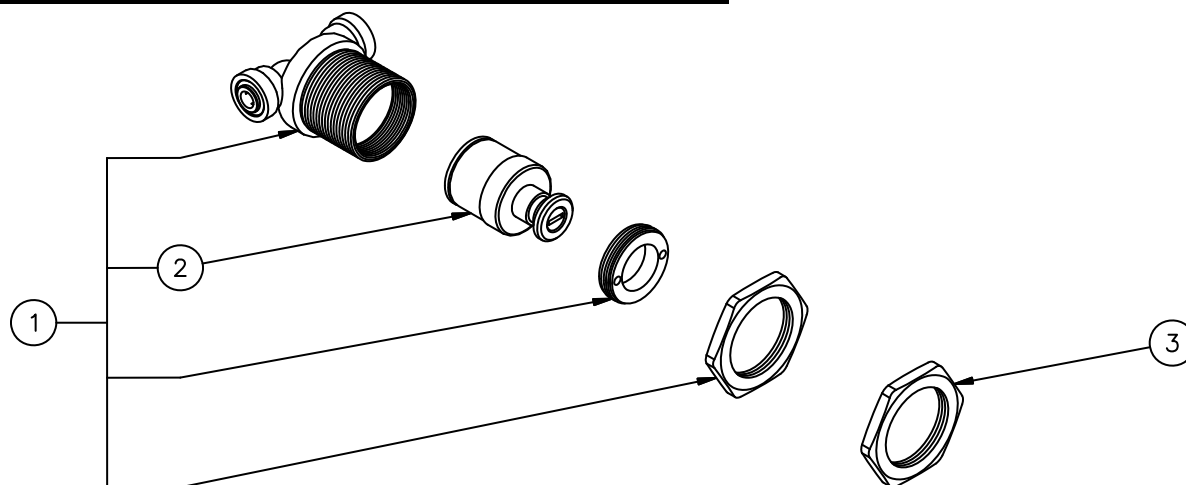
TROUBLE SHOOTING:

1. No Water Flow
 - a. Check water main supply – open.
 - b. Inspect stop (by others) – open and no debris.
 - c. Inspect in-line strainer for debris – clean.
 - d. Replace valve cartridge.
2. Water Drips / Will Not Shut Off
 - a. Replace valve cartridge.
3. Reduced Water Flow
 - a. Adjust the valve flow rate using a slotted narrow blade screwdriver in cartridge and turning clockwise to increase flow and counterclockwise to decrease flow.
 - b. Check water main supply for 20 psig minimum flow pressure.
 - c. Inspect stop (by others) – open and no debris.
 - d. Inspect in-line strainer for debris – clean.
 - e. Inspect bubbler for debris – clean.
 - f. Inspect all tubing for twists or kinks.
 - g. Replace valve cartridge.

CLEANING & MAINTENANCE GUIDE:

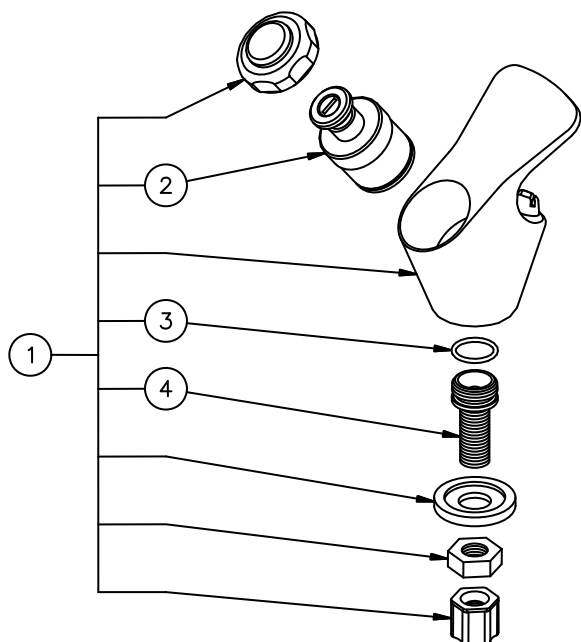
1. Periodically remove front panel and clean out in-line strainer.
2. Do NOT use harsh chemicals, abrasive or petroleum based cleaners. Use of these will void the Acorn Aqua warranty.
3. Exterior panels can be cleaned using mild household detergents or warm, soapy water. Extra care must be used cleaning chrome plated items and mirror finished stainless steel. They can scratch easily and should only be cleaned using a clean, soft cloth and mild soap with water or a mild glass cleaner.

STANDARD CARTRIDGE VALVE PARTS BREAKDOWN



ITEM #	PART NUMBER	DESCRIPTION
1	7000-050-001	Valve Cartridge Assembly
2	7000-060-000	Valve Cartridge
3	7000-053-199	Jam Nut

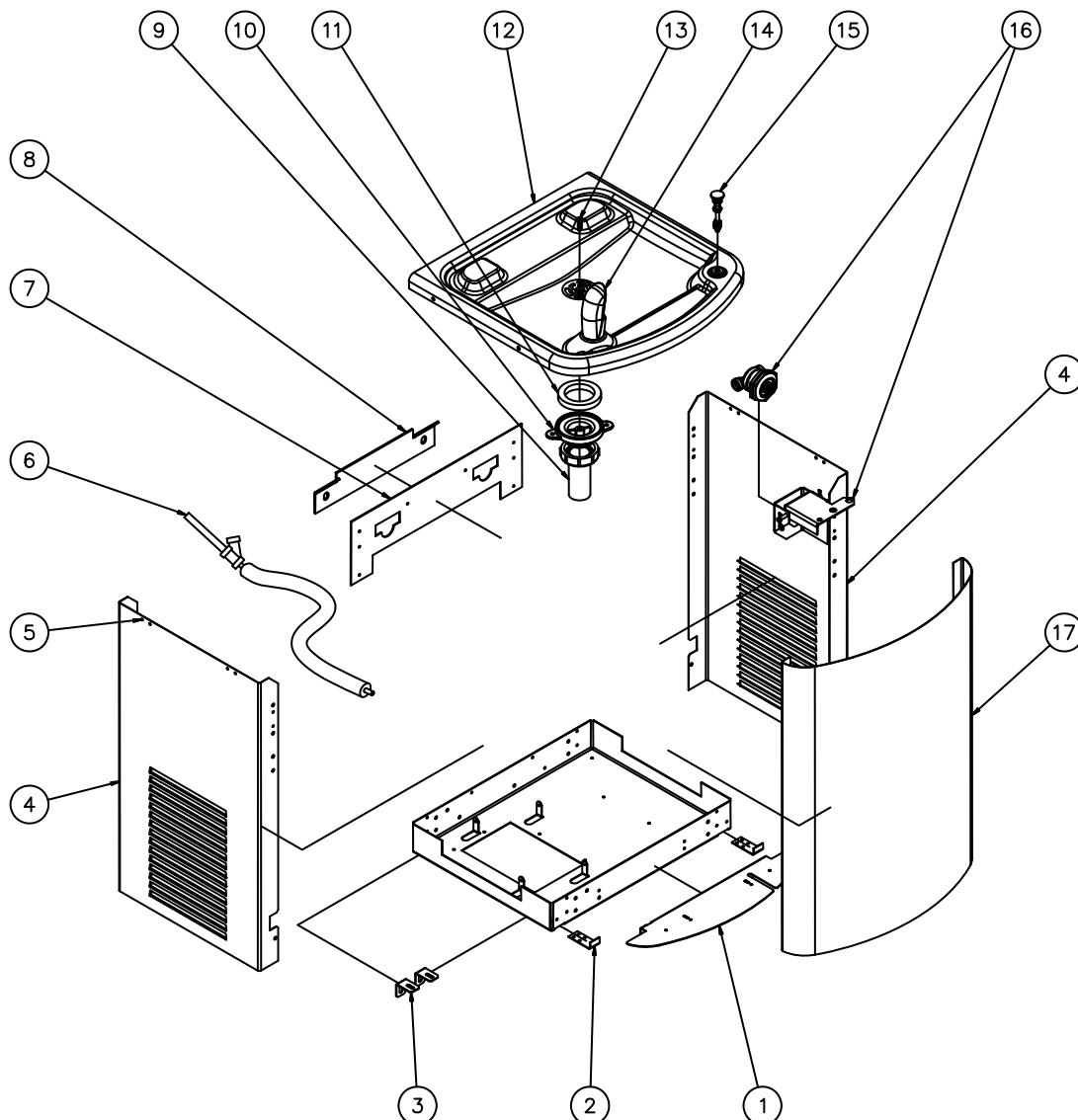
“P” PUSH BUTTON BRASS BUBBLER PARTS BREAKDOWN



ITEM #	PART NUMBER	DESCRIPTION
1	7000-000-001	Push Button Bubbler Assembly
2	7000-060-000	Valve Cartridge
3	0401-015-000	O-Ring
4	7000-008-199	Bubbler Adapter

Repairs must be made with Acorn Aqua parts only. Please order through your local representative or distributor. The phone number to locate your local representative is 1.800.591.9360.

DRINKING FOUNTAIN PARTS BREAKDOWN



ITEM #	PART NUMBER	DESCRIPTION	ITEM #	PART NUMBER	DESCRIPTION
1	7004-411-199	Front Panel Kick Plate	11	7000-006-000	Flat Drain Adapter Gasket
2	7004-409-199	Front Panel Clip	12	7005-007-199	Fountain Basin Top
3	7005-504-199	Bottom Wall Mounting Clips		7005-003-199	"P" Option Fountain Basin Top
4	7004-403-020	Compact Side Panel - Granite	13	0152-040-000	Allen Flat Head Screw
	7004-403-015	Compact Side Panel - "2" Dark Bronze	14	7000-410-002	Standard Gray Flexible Bubbler Assembly
	7004-403-016	Compact Side Panel - "3" Gold		7000-002-001	"B" Option Brass Bubbler Assembly
	7004-421-199	Compact Side Panel - "4" Stainless Steel		7000-000-001	"P" Option Push Button Bubbler Assembly
	7005-502-020	Deluxe Side Panel - Granite	15	7004-607-001	Push Button Assembly
	7005-502-015	Deluxe Side Panel - "2" Dark Bronze	16	7004-052-001	Activation Assembly
	7005-502-016	Deluxe Side Panel - "3" Gold	17	7004-401-020	Compact Front Panel - Granite
	7005-511-199	Deluxe Side Panel - "4" Stainless Steel		7004-401-015	Compact Front Panel - "2" Dark Bronze
5	0124-051-000	Allen Pan Head Screw		7004-401-016	Compact Front Panel - "3" Gold
6	7000-022-000	"Y" Strainer		7004-420-001	Compact Front Panel - "4" Stainless Steel
7	7004-407-199	Back Plate		7005-501-020	Deluxe Front Panel - Granite
8	7004-408-199	Wall Mounting Hanger Bracket		7005-501-015	Deluxe Front Panel - "2" Dark Bronze
9	7000-032-001	Drain Tube Assembly		7005-501-016	Deluxe Front Panel - "3" Gold
10	7000-005-199	Drain Adapter		7005-510-001	Deluxe Front Panel - "4" Stainless Steel

Repairs must be made with Acorn Aqua parts only. Please order through your local representative or distributor. The phone number to locate your local representative is 1.800.591.9360.