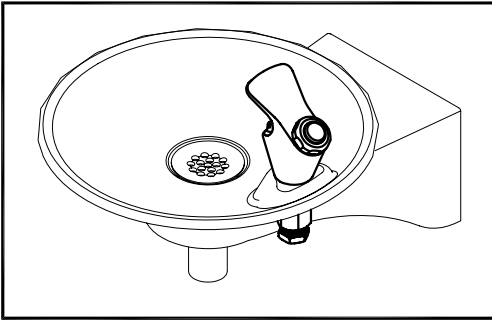
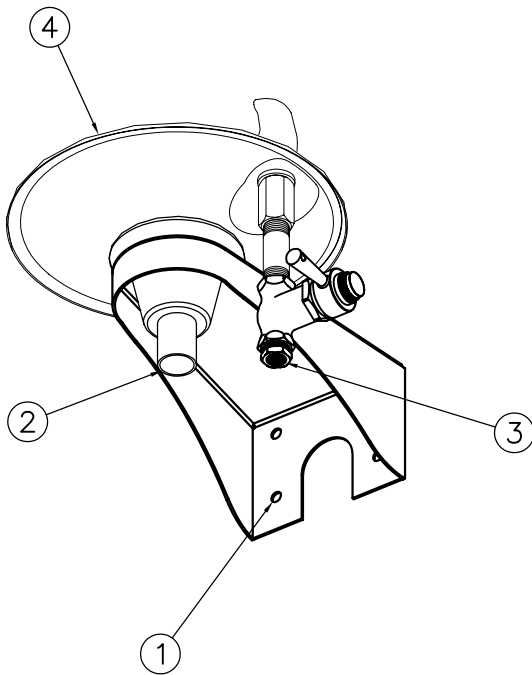
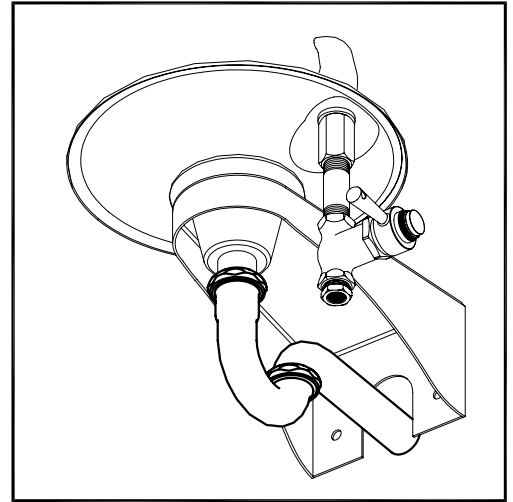


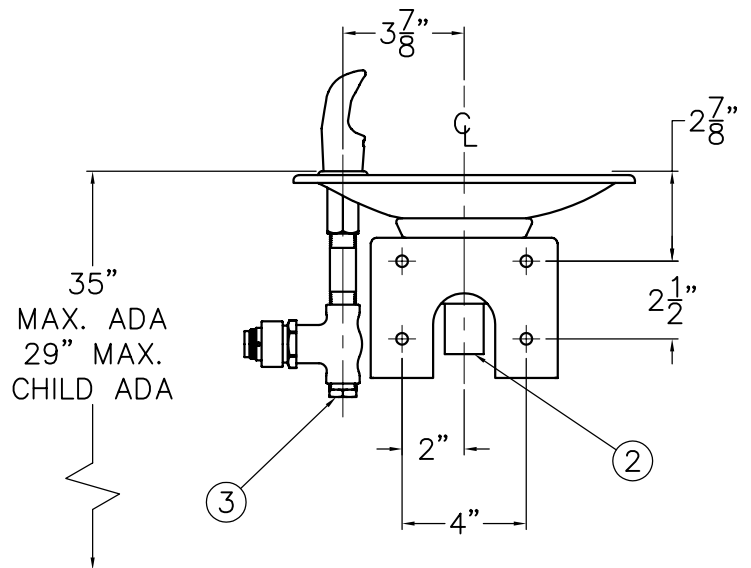
OPTIONAL PUSHBUTTON BUBBLER



OPTIONAL -PT1 1-1/4" O.D. P-TRAP



BACK ROUGH-IN VIEW

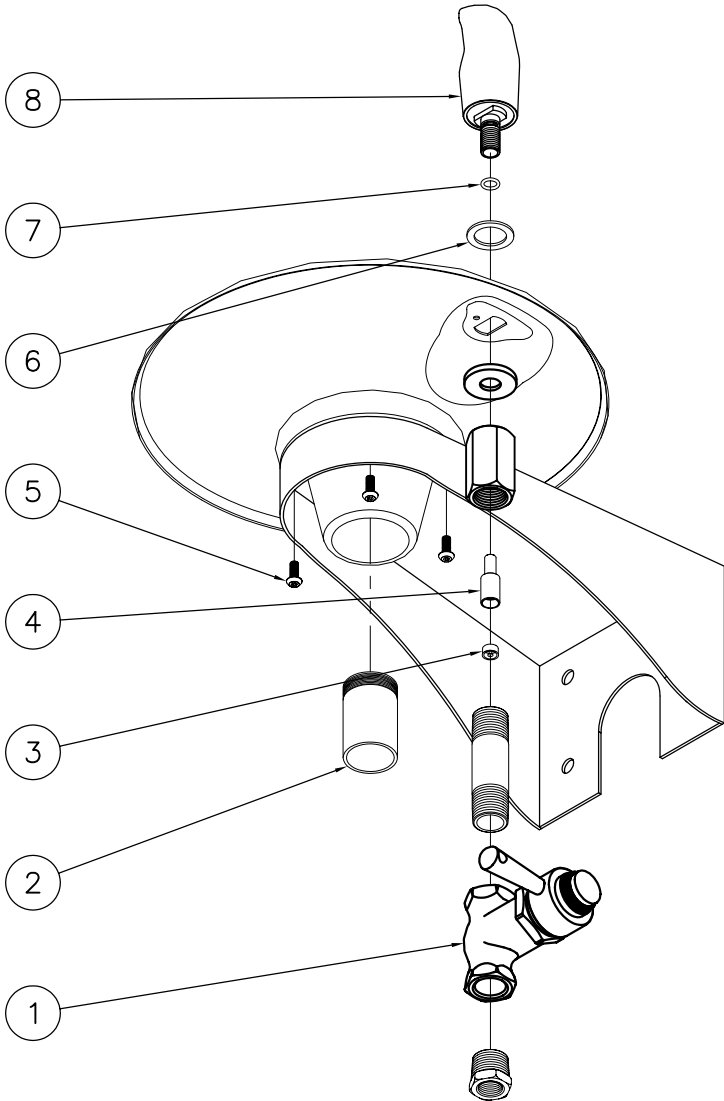


INSTALLATION INSTRUCTIONS:

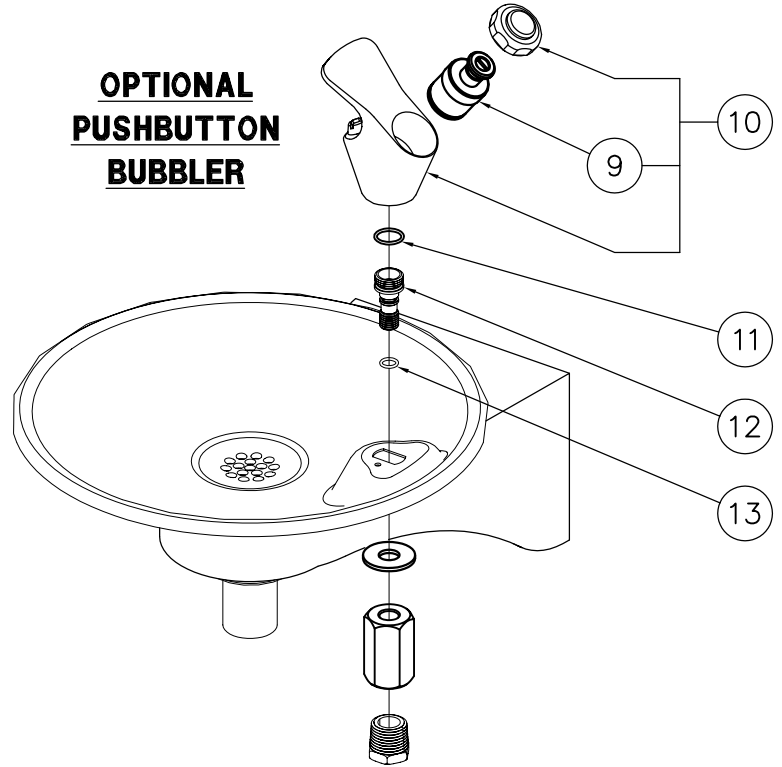
- A- STRUCTURALLY REINFORCE THE WALL BEHIND THE FOUR 3/8" DIAMETER MOUNTING HOLES (1) AT THE DIMENSIONS SHOWN AND INSTALL WALL ANCHORS BY OTHERS.
- B- ROUGH-IN WASTE OUTLET FOR THE 1-1/4" OUTER DIAMETER PLAIN END TAILPIECE (2).
- C- ROUGH-IN WATER SUPPLY (3) AT DIMENSION SHOWN FOR 3/8" NPT FEMALE LEVER VALVE SUPPLY INLET. RECOMMENDED UNION AND SHUTOFF VALVE TO BE SUPPLIED BY OTHERS.
- D- CAREFULLY REMOVE FIXTURE (4) AND COMPONENTS FROM THE PACKAGING PREVENTING SCRATCHING AND DAMAGE.

- E- SECURELY ANCHOR FIXTURE (4) TO WALL THRU MOUNTING HOLES (1) WITH ANCHORING HARDWARE BY OTHERS.
- G- MAKE-UP 1-1/4" O.D. WASTE CONNECTION TO TAILPIECE (2).
- H- FLUSH WATER SUPPLY (3) BY OTHERS OF ALL DEBRIS PRIOR TO CONNECTING TO FIXTURE.
- I- CONNECT THE WATER SUPPLY (3) BY OTHERS TO 3/8" NPT FEMALE INLET. STOP ON THE SUPPLY IS RECOMMENDED.

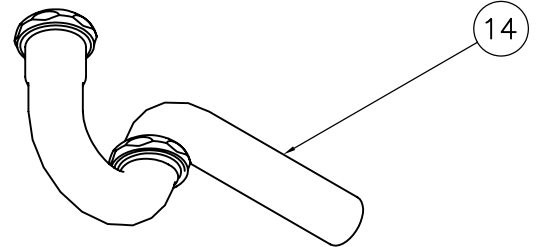
<p>ACORN AQUA P.O. Box 3527 City of Industry, CA 91744 Phone: (800) 591-9360 www.acornaqua.com</p>	<p>TITLE ROUND BOWL WALL MOUNTED DRINKING FOUNTAIN</p>		
	<p>MANUFACTURE DATE</p> <p>JANUARY 2006</p> <p>TO PRESENT</p>	<p>DATE ISSUED</p> <p>9/27/05</p> <p>DATE REVISED</p>	<p>DRAWING NUMBER</p> <p>9938-250-001</p>



**OPTIONAL
PUSHBUTTON
BUBBLER**



OPTIONAL -PT1 1-1/4" O.D. P-TRAP



1	7018-010-001	SELF CLOSING LEVER VALVE	8	7018-012-199	SOLID BUBBLER
2	4952-002-199	1-1/4" OUTER DIAMETER TAILPIECE	9	7000-060-000	VALVE CARTRIDGE
3	0471-010-000	FLOW REGULATOR	10	2990-010-002	DECK MOUNTED PUSHBUTTON BUBBLER
4	7018-008-199	FLOW REGULATOR ADAPTER	11	0404-015-000	O-RING
5	0112-056-000	CENTER REJECT ALLEN BUTTON HEAD SCREW	12	7018-011-199	BUBBLER ADAPTER
6	7000-007-000	BUBBLER GASKET	13	0404-011-000	O-RING
7	0404-011-000	O-RING	14	4953-002-000	1-1/4" x 1-1/4" OUTER DIAMETER P-TRAP
ITEM	PART NUMBER	DESCRIPTION	ITEM	PART NUMBER	DESCRIPTION

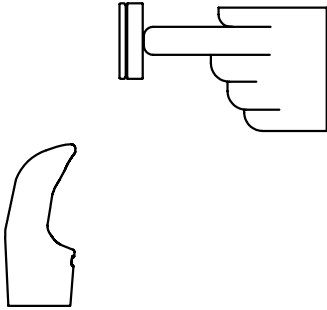
<p>ACORN AQUA P.O. Box 3527 City of Industry, CA 91744 Phone: (800) 591-9360 www.acornaqua.com</p>	TITLE ROUND BOWL WALL MOUNTED DRINKING FOUNTAIN		
	MANUFACTURE DATE JANUARY 2006 TO PRESENT		DATE ISSUED 10/27/05 DATE REVISED 01/17/06
			DRAWING NUMBER 9938-250-500

STANDARD PUSH PAD / PUSH BUTTON DRINKING FOUNTAIN

CONDITION:

SOLUTION:

NO WATER FLOW:



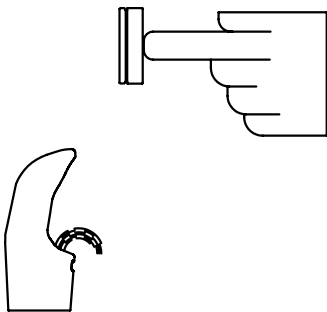
- 1.1 Check water main supply – open.
- 1.2 Inspect stop (by others) – open & no debris.
- 1.3 Inspect in–line strainer for debris – clean.
- 1.4 Replace valve cartridge.

WATER DRIPS / WILL NOT SHUT OFF:



- 2.1 For push pad activated drinking fountains only: Open fixture and move valve bracket assembly further back from push pad.
- 2.2 Replace valve cartridge.

REDUCED WATER FLOW:



- 3.1 Adjust the valve flow rate. See appropriate fixture installation instructions.
- 3.2 Check water main supply for 20 psig minimum flow pressure.
- 3.3 Inspect stop (by others) – open & no debris.
- 3.4 Inspect in–line strainer for debris – clean.
- 3.5 Inspect bubbler for debris – clean.
- 3.6 Inspect all tubing for twists or kinks.
- 3.7 Replace valve cartridge.