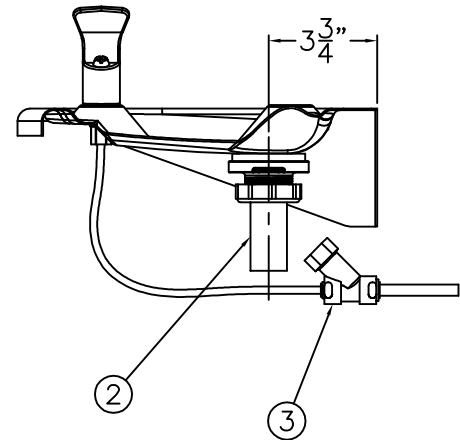
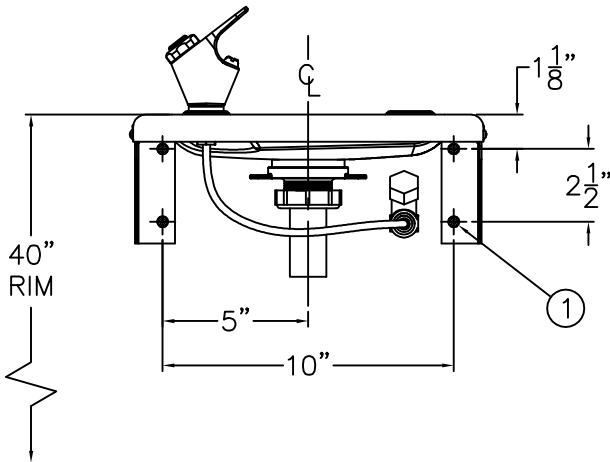


**FRONT ROUGH-IN VIEW**



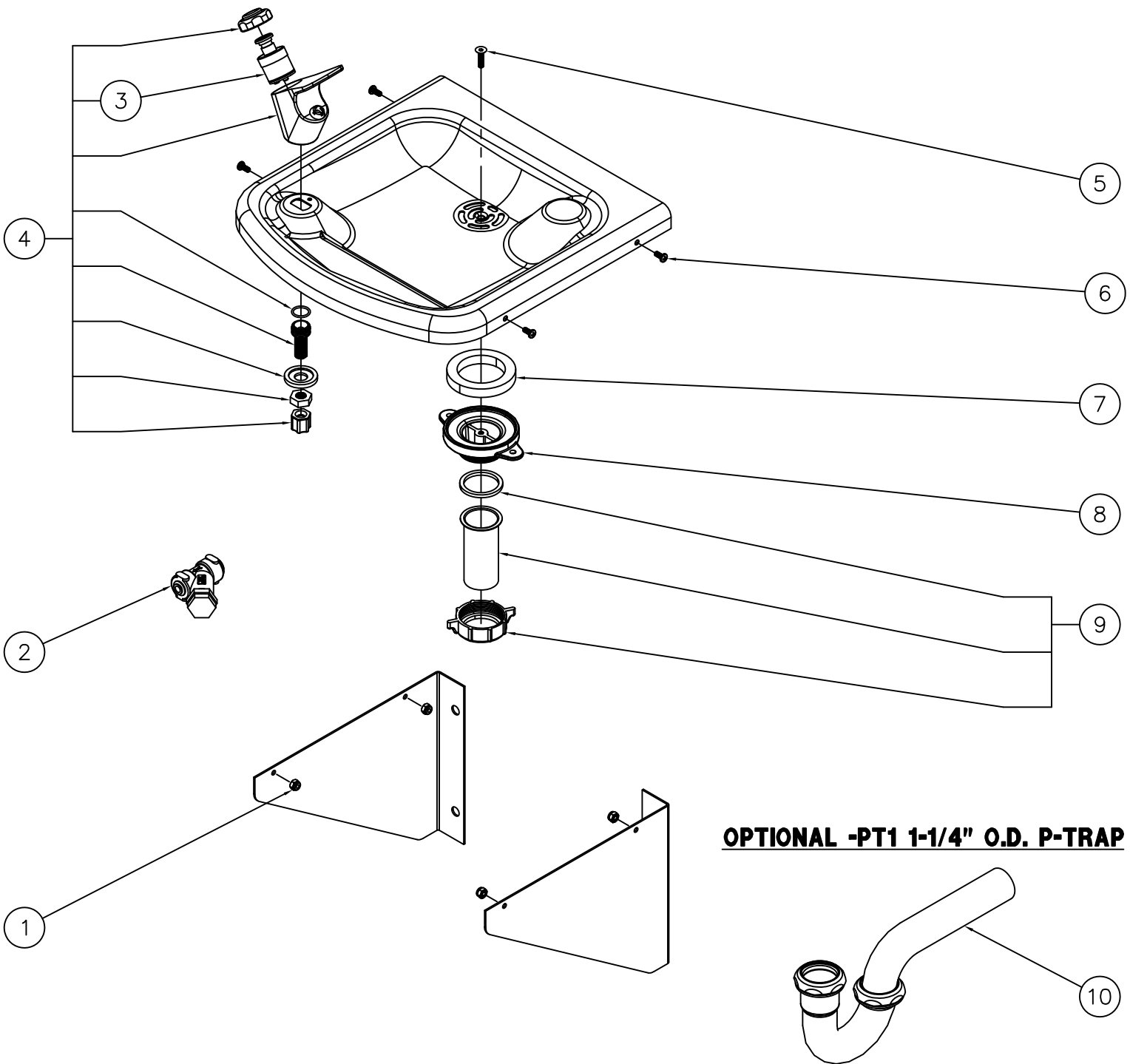
**INSTALLATION INSTRUCTIONS:**

- A- STRUCTURALLY REINFORCE THE WALL BEHIND THE FOUR 3/8" DIAMETER MOUNTING HOLES (1) AT THE DIMENSIONS SHOWN AND INSTALL WALL ANCHORS BY OTHERS.
- B- ROUGH-IN WASTE OUTLET FOR THE 1-1/4" OUTER DIAMETER PLAIN END TAILPIECE (2).
- C- ROUGH-IN WATER SUPPLY FOR THE 1/4" NOMINAL (3/8" O.D.) x 4" LONG COPPER TUBE CONNECTED TO IN-LINE STRAINER (3) PROVIDED. SHUTOFF VALVE RECOMMENDED ON SUPPLY TO BE SUPPLIED BY OTHERS.

- D- CAREFULLY REMOVE FIXTURE (4) AND COMPONENTS FROM THE PACKAGING PREVENTING SCRATCHING AND DAMAGE.
- E- SECURELY ANCHOR FIXTURE (4) TO WALL THRU MOUNTING HOLES (1) WITH ANCHORING HARDWARE BY OTHERS.
- G- MAKE-UP 1-1/4" O.D. WASTE CONNECTION TO TAILPIECE (2).
- H- FLUSH WATER SUPPLY BY OTHERS OF ALL DEBRIS PRIOR TO CONNECTING TO FIXTURE.
- I- CONNECT THE WATER SUPPLY BY OTHERS TO 1/4" NOMINAL COPPER TUBE INLET. STOP ON THE SUPPLY IS RECOMMENDED.

**ACORN AQUA**  
P.O. Box 3527 City of Industry, CA 91744  
Phone: (800) 591-9360 www.acornaqua.com

<b>TITLE</b> <b>A4B1400P WALL MOUNTED ECONOMY DRINKING FOUNTAIN</b>		
<b>MANUFACTURE DATE</b> <b>JULY 2007</b> <b>TO PRESENT</b>	<b>DATE ISSUED</b> <b>07/23/07</b> <b>DATE REVISED</b>	<b>DRAWING NUMBER</b> <b>9938-252-001</b>



**OPTIONAL -PT1 1-1/4" O.D. P-TRAP**

1	0308-009-000	#8-32 NYLON INSERT LOCKNUT	7	7000-006-000	FLAT DRAIN ADAPTER GASKET
2	7000-022-000	"Y" STRAINER	8	7000-005-000	DRAIN ADAPTER
3	7000-069-001	VALVE CARTRIDGE WITH FOAM WASHER	9	7000-032-001	1-1/4" OUTER DIAMETER TAILPIECE ASSY
4	7000-000-001	DECK MOUNTED PUSHBUTTON BUBBLER ASSY	10	4953-002-000	1-1/4" x 1-1/4" OUTER DIAMETER P-TRAP
5	0152-040-000	ALLEN FLAT HEAD SCREW			
6	6502-100-000	#8-32 x 3/8" LONG PHILLIPS HEAD SCREW			

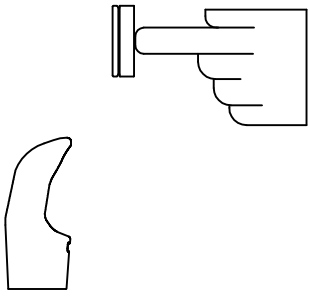

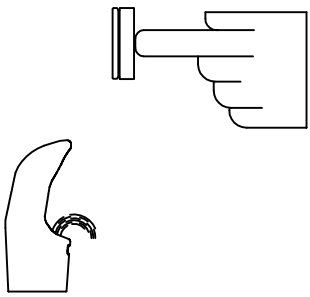
ITEM	PART NUMBER	DESCRIPTION	ITEM	PART NUMBER	DESCRIPTION
<b>ACORN AQUA</b> P.O. Box 3527 City of Industry, CA 91744 Phone: (800) 591-9360 www.acornaqua.com		<b>TITLE A4B1400P WALL MOUNTED ECONOMY DRINKING FOUNTAIN</b>			
<b>MANUFACTURE DATE</b> JULY 2007 TO PRESENT		<b>DATE ISSUED</b> 07/23/07 <b>DATE REVISED</b> 04/08/10		<b>DRAWING NUMBER</b> 9938-252-500	




**STANDARD PUSH PAD / PUSH BUTTON DRINKING FOUNTAIN**

**CONDITION:**

**SOLUTION:**

<p><b>NO WATER FLOW:</b></p> 	<ol style="list-style-type: none"> <li>1.1 Check water main supply – open.</li> <li>1.2 Inspect stop (by others) – open &amp; no debris.</li> <li>1.3 Inspect in–line strainer for debris – clean.</li> <li>1.4 Replace valve cartridge.</li> </ol>
<p><b>WATER DRIPS / WILL NOT SHUT OFF:</b></p> 	<ol style="list-style-type: none"> <li>2.1 For push pad activated drinking fountains only: Open fixture and move valve bracket assembly further back from push pad.</li> <li>2.2 Replace valve cartridge.</li> </ol>
<p><b>REDUCED WATER FLOW:</b></p> 	<ol style="list-style-type: none"> <li>3.1 Adjust the valve flow rate. See appropriate fixture installation instructions.</li> <li>3.2 Check water main supply for 20 psig minimum flow pressure.</li> <li>3.3 Inspect stop (by others) – open &amp; no debris.</li> <li>3.4 Inspect in–line strainer for debris – clean.</li> <li>3.5 Inspect bubbler for debris – clean.</li> <li>3.6 Inspect all tubing for twists or kinks.</li> <li>3.7 Replace valve cartridge.</li> </ol>

 <p><b>ACORN AQUA</b>  P.O. Box 3527 City of Industry, CA 91744  Phone: (800) 591-9360 www.acornaqua.com</p>	<p>TITLE <b>DRINKING FOUNTAIN VALVE MAINTENANCE INSTRUCTIONS</b></p>		
<p>MANUFACTURE DATE</p> <p><b>JANUARY 2006</b></p> <p><b>TO PRESENT</b></p>	<p>DATE ISSUED</p> <p><b>09/28/05</b></p>	<p>DRAWING NUMBER</p> <p><b>9940-200-001</b></p>	
<p>DATE REVISED</p>			