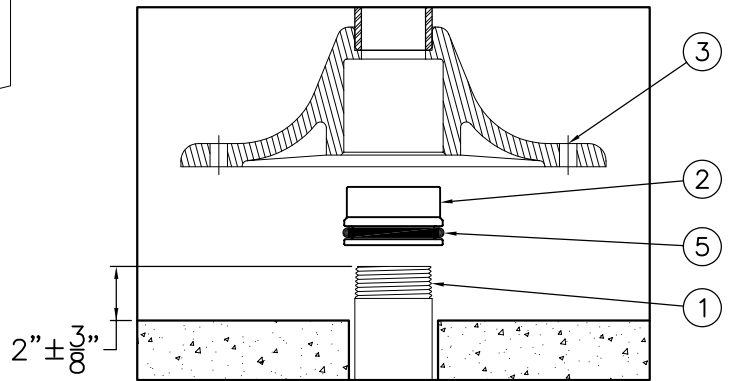
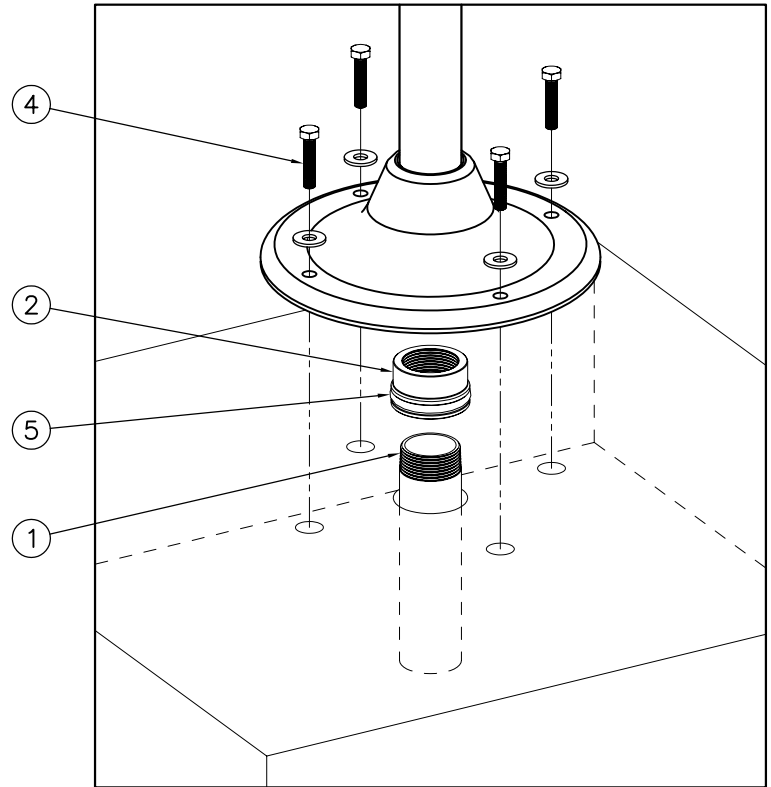
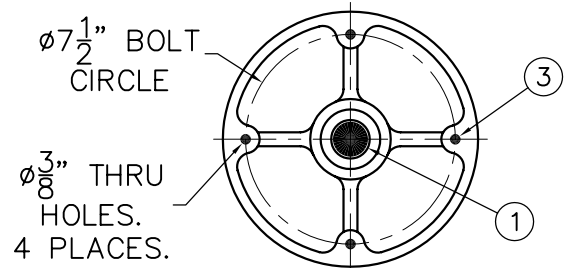


**OPTIONAL
PUSHBUTTON
BUBBLER**



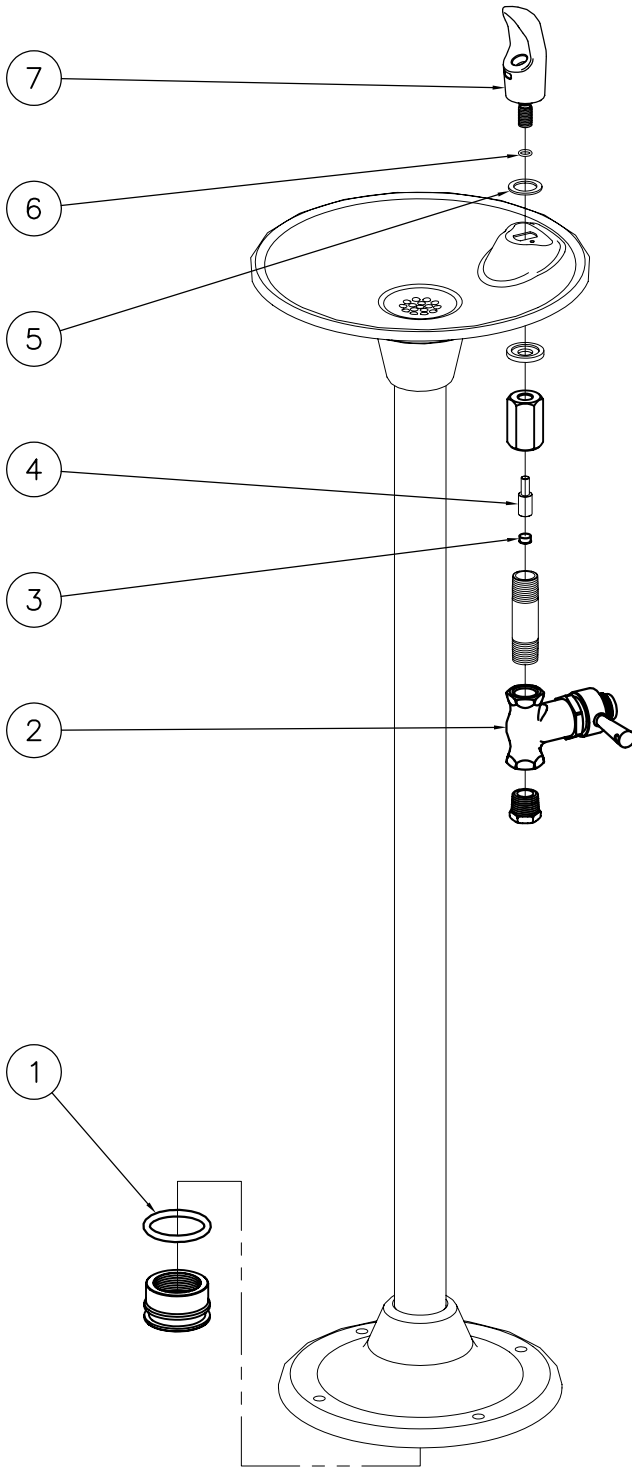
INSTALLATION INSTRUCTIONS:

- A- PROVIDE STRUCTURALLY SOUND FOUNDATION FOR ANCHORING OF FOUNTAIN WHERE WATER WILL NOT POOL AND ROUGH-IN WASTE OUTLET (1) 2" HIGH ($\pm 3/8$ ") AT FOUNTAIN CENTERLINE FOR 1-1/4" NPT FEMALE WASTE OUTLET ADAPTER (2).
- B- PROVIDE FOUR FLOOR ANCHORING LOCATIONS AS SHOWN IN BASE FOOTPRINT DETAIL. HOLES (3) THRU BASE ARE 3/8" DIAMETER. FLOOR ANCHORS AND ANCHORING HARDWARE (4) TO BE PROVIDED BY INSTALLER.
- C- ASSEMBLE WASTE ADAPTER (2) TO 1-1/4" NPT WASTE PIPE (1) BY OTHERS. DO NOT DAMAGE O-RING (5) ON ADAPTER.
- D- LUBRICATE O-RING (5). O-RING LUBRICANT TO BE PROVIDED BY INSTALLER. CAREFULLY SET FOUNTAIN STRAIGHT DOWN OVER THE WASTE ADAPTER (2) WITHOUT JAMMING TO ENSURE THE O-RING (5) DOES NOT ROLL OFF ADAPTER (2).
- E- SECURE FOUNTAIN TO FOUNDATION USING HARDWARE (4) BY OTHERS.
- F- PROVIDE WATER SUPPLY WITH UNION AND SHUTOFF VALVE BY OTHERS TO 3/8" NPT FEMALE INLET (6). NOTE: FLUSH WATER SUPPLY OF ALL DEBRIS PRIOR TO CONNECTING TO FOUNTAIN.

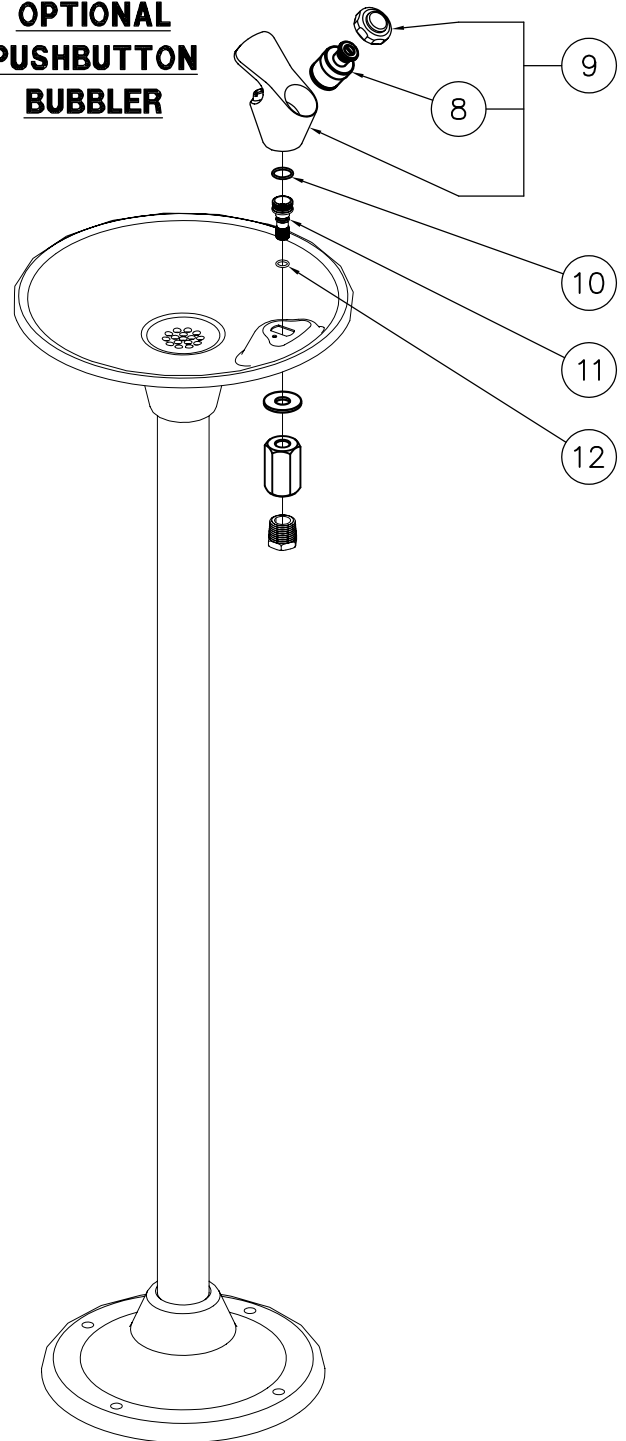


BASE FOOTPRINT

<p>ACORN AQUA P.O. Box 3527 City of Industry, CA 91744 Phone: (800) 591-9360 www.acornaqua.com</p>	<p>TITLE STEEL PIPE PEDESTAL MOUNTED DRINKING FOUNTAIN</p>		
	<p>MANUFACTURE DATE</p> <p>JANUARY 2006</p> <p>TO PRESENT</p>	<p>DATE ISSUED</p> <p>9/27/05</p>	<p>DRAWING NUMBER</p> <p>9938-255-001</p>
		<p>DATE REVISED</p>	



**OPTIONAL
PUSHBUTTON
BUBBLER**



1	0401-327-000	O-RING	7	7018-012-199	SOLID BUBBLER
2	7018-010-001	SELF CLOSING LEVER VALVE	8	7000-060-000	VALVE CARTRIDGE
3	0471-010-000	FLOW REGULATOR	9	2990-010-002	DECK MOUNTED PUSHBUTTON BUBBLER
4	7018-008-199	FLOW REGULATOR ADAPTER	10	0404-015-000	O-RING
5	7000-007-000	BUBBLER GASKET	11	7018-011-199	BUBBLER ADAPTER
6	0404-011-000	O-RING	12	0404-011-000	O-RING
ITEM	PART NUMBER	DESCRIPTION	ITEM	PART NUMBER	DESCRIPTION

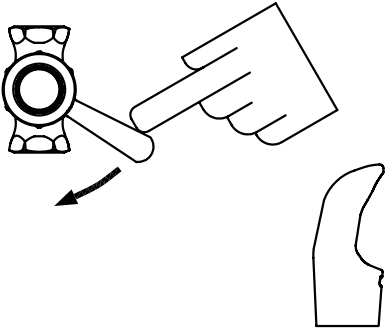
<p>ACORN AQUA P.O. Box 3527 City of Industry, CA 91744 Phone: (800) 591-9360 www.acornaqua.com</p>	<p>TITLE STEEL PIPE PEDESTAL MOUNTED DRINKING FOUNTAIN</p>		
	<p>MANUFACTURE DATE</p> <p>JANUARY 2006</p> <p>TO PRESENT</p>	<p>DATE ISSUED</p> <p>10/27/05</p>	<p>DRAWING NUMBER</p> <p>9938-255-500</p>
		<p>DATE REVISED</p> <p>02/09/06</p>	

LEVER VALVE DRINKING FOUNTAIN

CONDITION:

SOLUTION:

NO WATER FLOW:



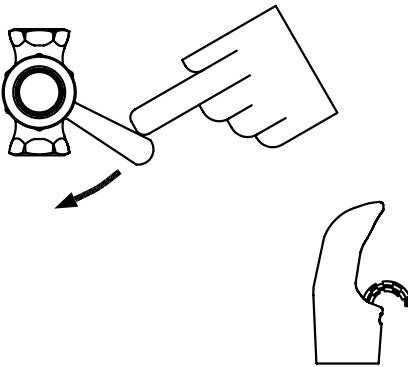
- 1.1 Check water main supply – open.
- 1.2 Inspect stop (by others) – open & no debris.
- 1.3 Inspect strainer (by others) for debris – clean.
- 1.4 Inspect flow regulator for debris – clean or replace.
- 1.5 Replace lever valve.

WATER DRIPS / WILL NOT SHUT OFF:




- 2.1 Inspect lever valve for debris – clean.
- 2.2 Replace lever valve.

REDUCED WATER FLOW:

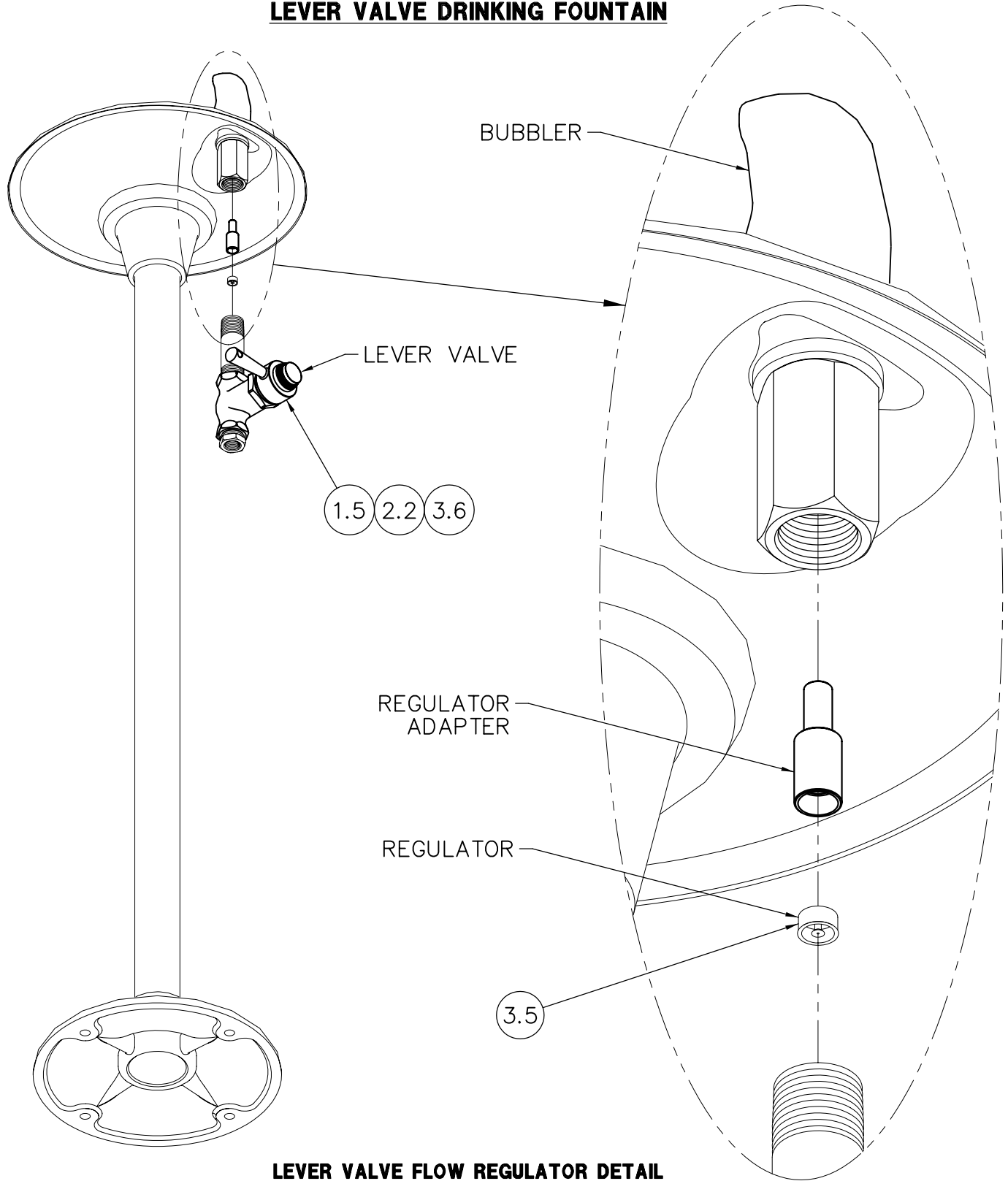


- 3.1 Check water main supply for 20 psig minimum flow pressure.
- 3.2 Inspect stop (by others) – open & no debris.
- 3.3 Inspect strainer (by others) for debris – clean.
- 3.4 Inspect bubbler for debris – clean.
- 3.5 Inspect flow regulator for debris – clean or replace.
- 3.6 Replace lever valve.

Refer to drawing #9940-206-001 for Lever Valve Maintenance Detail to locate solutions above.


 ACORN AQUA P.O. Box 3527 City of Industry, CA 91744 Phone: (800) 591-9360 www.acornaqua.com	TITLE LEVER DRINKING FOUNTAIN VALVE MAINTENANCE INSTRUCTIONS		
	MANUFACTURE DATE JANUARY 2006 TO PRESENT	DATE ISSUED 10/27/05	DRAWING NUMBER 9940-205-001
		DATE REVISED 01/17/06	

LEVER VALVE DRINKING FOUNTAIN



LEVER VALVE FLOW REGULATOR DETAIL

Refer to drawing #9940-205-001 for Valve Maintenance Instructions numbered solutions detailed above.

 ACORN AQUA P.O. Box 3527 City of Industry, CA 91744 Phone: (800) 591-9360 www.acornaqua.com	TITLE LEVER VALVE MAINTENANCE INSTRUCTIONS		
	MANUFACTURE DATE JANUARY 2006 TO PRESENT	DATE ISSUED 10/27/05 <hr/> DATE REVISED 01/17/06	DRAWING NUMBER 9940-206-001