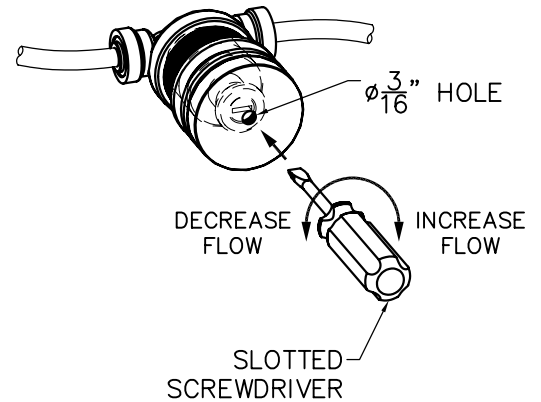
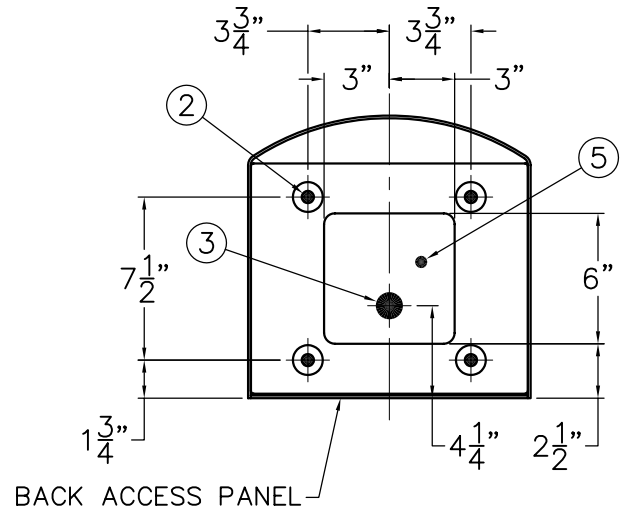


**DETAIL A  
FLOW ADJUSTMENT**



**BASE ROUGH-IN VIEW**

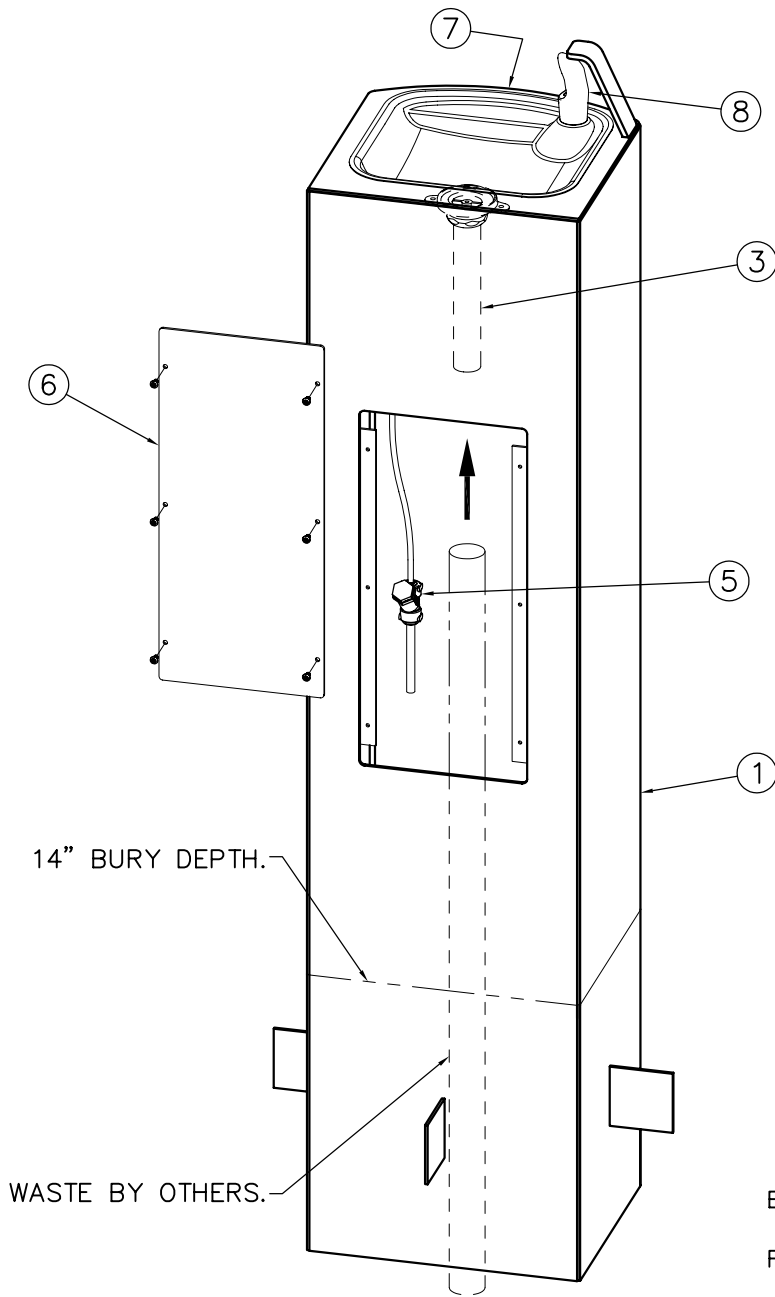


**INSTALLATION INSTRUCTIONS:**

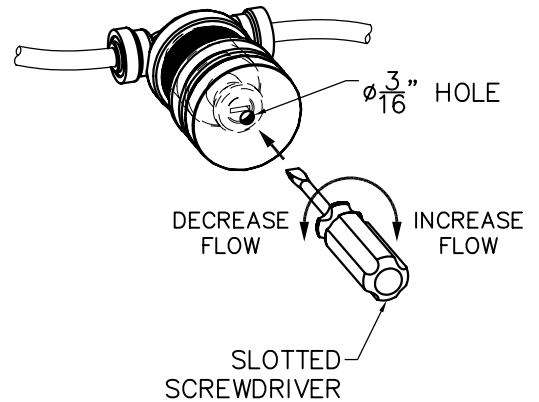
- A- PROVIDE 30" SQUARE MINIMUM x 6" DEEP MINIMUM CONCRETE SLAB BY OTHERS TO SECURELY ANCHOR FIXTURE. INSTALL THE FOUR PROVIDED CONCRETE ANCHORS ① AT DIMENSIONS SHOWN TO MATCH HOLES ② IN FIXTURE BASE.
- B- ROUGH-IN WASTE OUTLET ③ AT DIMENSION SHOWN FOR 1-1/4" OUTER DIAMETER PLAIN END TAILPIECE ④.
- C- ROUGH-IN WATER SUPPLY ⑤ WITHIN 6" SQUARE BOTTOM OPENING FOR 1/4" NOMINAL (3/8" O.D.) x 4" LONG COPPER TUBE CONNECTED TO IN-LINE STRAINER ⑥ PROVIDED. STOP RECOMMENDED ON SUPPLY TO BE SUPPLIED BY OTHERS.
- D- CAREFULLY REMOVE FIXTURE ⑦ AND COMPONENTS FROM THE PACKAGING PREVENTING SCRATCHING AND DAMAGE.
- E- REMOVE BACK ACCESS PANEL ⑧. ENSURE PUSHBUTTON ⑨ WASTE TAILPIECE ④ AND BUBBLER ⑩ ARE SECURE AND CHECK ALL TUBING CONNECTIONS TO MAKE SURE THEY DID NOT COME LOOSE IN SHIPMENT.

- F- SET FIXTURE IN PLACE ALIGNING BASE HOLES ② WITH THE INSTALLED ANCHORS ① AND SECURE WITH THE 1/2" UNC HARDWARE ⑪ PROVIDED.
- G- MAKE-UP 1-1/4" O.D. WASTE CONNECTION TO TAILPIECE ④.
- H- FLUSH WATER SUPPLY ⑤ BY OTHERS OF ALL DEBRIS PRIOR TO CONNECTING TO FIXTURE.
- I- CONNECT WATER SUPPLY ⑤ BY OTHERS TO 1/4" NOMINAL COPPER TUBE INLET. STOP ON THE SUPPLY IS RECOMMENDED.
- J- TEST OPERATION OF BUBBLER BY DEPRESSING BUTTON ⑨. ADJUST THE FLOW RATE AS REQUIRED. SEE **DETAIL A**. CHECK ALL CONNECTIONS AND WASTE PIPING FOR LEAKS. CORRECT IF PRESENT.
- K- RE-INSTALL BACK ACCESS PANEL ⑧.

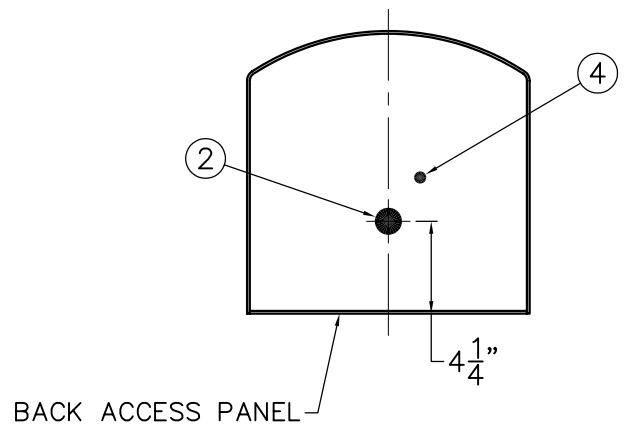
<p><b>ACORN AQUA</b> P.O. Box 3527 City of Industry, CA 91744 Phone: (800) 591-9360 www.acornaqua.com</p>	<p>TITLE <b>SQUARE OUTDOOR STEEL PEDESTAL DRINKING FOUNTAIN</b></p>		
	<p>MANUFACTURE DATE</p> <p><b>JANUARY 2006</b></p> <p><b>TO PRESENT</b></p>	<p>DATE ISSUED</p> <p><b>09/27/05</b></p>	<p>DRAWING NUMBER</p> <p><b>9938-155-001</b></p>
		<p>DATE REVISED</p> <p><b>05/03/06</b></p>	



**DETAIL A  
FLOW ADJUSTMENT**



**BASE ROUGH-IN VIEW**



**INSTALLATION INSTRUCTIONS:**

- A- PREPARE INSTALLATION LOCATION TO BURY FIXTURE PEDESTAL ① TO 14" DEPTH.
- B- ROUGH-IN WASTE OUTLET ② AT DIMENSION SHOWN FOR 1-1/4" OUTER DIAMETER PLAIN END TAILPIECE ③.
- C- ROUGH-IN WATER SUPPLY ④ FOR 1/4" NOMINAL (3/8" O.D.) x 4" LONG COPPER TUBE CONNECTED TO IN-LINE STRAINER ⑤ PROVIDED. RECOMMENDED SUPPLY STOP BY OTHERS.
- D- CAREFULLY REMOVE THE FIXTURE AND COMPONENTS FROM THE PACKAGING PREVENTING SCRATCHING AND DAMAGE.

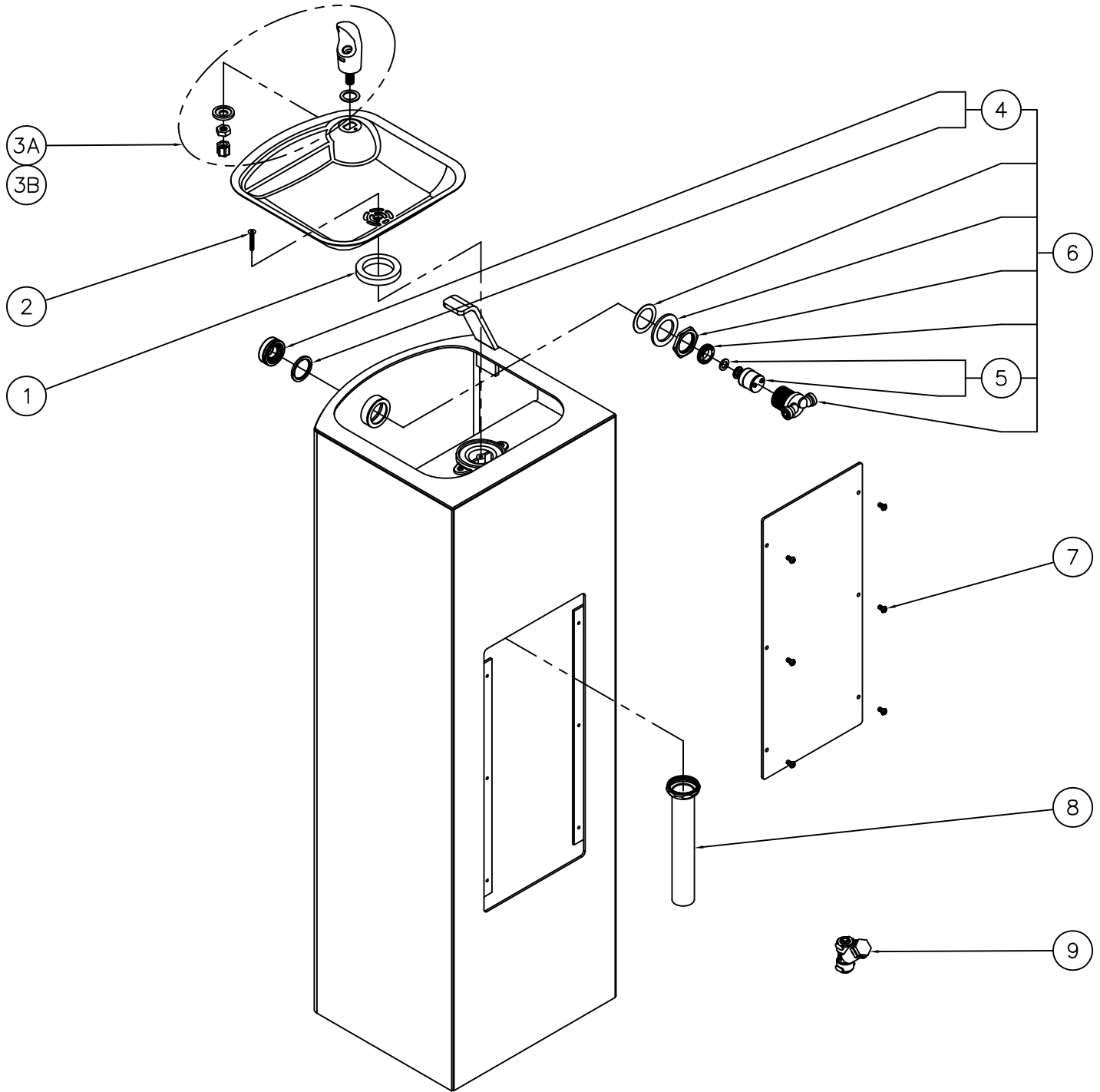
- E- SET FIXTURE IN PLACE TO 14" BURY DEPTH. ENSURE IT IS VERTICAL ALL AROUND. POUR CONCRETE. ALLOW TO CURE.
- F- REMOVE BACK ACCESS PANEL ⑥. ENSURE PUSHBUTTON ⑦ WASTE TAILPIECE ③ AND BUBBLER ⑧ ARE SECURE AND CHECK ALL TUBING CONNECTIONS TO MAKE SURE THEY DID NOT COME LOOSE IN SHIPMENT.
- G- MAKE-UP 1-1/4" O.D. WASTE CONNECTION TO TAILPIECE ③.
- H- FLUSH WATER SUPPLY ④ BY OTHERS OF ALL DEBRIS PRIOR TO CONNECTING TO FIXTURE.
- I- CONNECT WATER SUPPLY ④ BY OTHERS TO 1/4" NOMINAL COPPER TUBE INLET. STOP ON THE SUPPLY IS RECOMMENDED.
- J- TEST OPERATION OF BUBBLER BY DEPRESSING BUTTON ⑦. ADJUST THE FLOW RATE AS REQUIRED. SEE **DETAIL A**. CHECK ALL CONNECTIONS AND WASTE PIPING FOR LEAKS. CORRECT IF PRESENT.
- K- RE-INSTALL BACK ACCESS PANEL ⑥.

<p><b>ACORN AQUA</b> P.O. Box 3527 City of Industry, CA 91744 Phone: (800) 591-9360 www.acornaqua.com</p>	<p>TITLE <b>-IGM IN-GROUND MOUNTING SQUARE OUTDOOR STEEL DRINKING FOUNTAIN</b></p>		
	<p>MANUFACTURE DATE</p> <p><b>JANUARY 2006</b></p> <p><b>TO PRESENT</b></p>	<p>DATE ISSUED</p> <p><b>09/27/05</b></p>	<p>DRAWING NUMBER</p> <p><b>9938-156-001</b></p>
		<p>DATE REVISED</p> <p><b>05/03/06</b></p>	



INSTALLATION INSTRUCTIONS

AquaDesign



1	7000-006-000	FLAT DRAIN ADAPTER GASKET	5	7000-069-001	VALVE CARTRIDGE WITH FOAM WASHER
2	0152-010-000	CENTER REJECT ALLEN FLAT HEAD SCREW	6	7000-065-001	RECESSED PUSHBUTTON VALVE ASSEMBLY
3A	7000-002-001	STANDARD CHROME PLATED BRASS BUBBLER	7	0112-002-000	CENTER REJECT ALLEN BUTTON HEAD SCREW
3B	7000-410-002	"F" OPTION FLEXIBLE BUBBLER ASSEMBLY	8	7000-019-001	1-1/4" OUTER DIAMETER TAILPIECE
4	7000-068-001	RETAINING RING AND BUTTON ASSEMBLY	9	7000-022-000	"Y" STRAINER
ITEM	PART NUMBER	DESCRIPTION	ITEM	PART NUMBER	DESCRIPTION

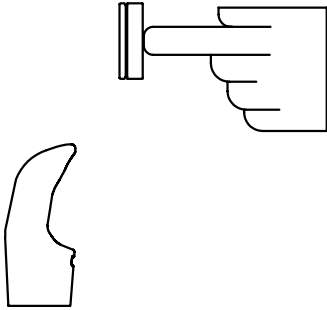
<p><b>ACORN AQUA</b> P.O. Box 3527 City of Industry, CA 91744 Phone: (800) 591-9360 www.acornaqua.com</p>	<p>TITLE <b>SQUARE OUTDOOR STEEL PEDESTAL DRINKING FOUNTAIN</b></p>		
	<p>MANUFACTURE DATE</p> <p><b>JANUARY 2006</b></p> <p><b>TO PRESENT</b></p>	<p>DATE ISSUED</p> <p><b>11/14/05</b></p> <p>DATE REVISED</p> <p><b>04/08/10</b></p>	<p>DRAWING NUMBER</p> <p><b>9938-155-500</b></p>

**STANDARD PUSH PAD / PUSH BUTTON DRINKING FOUNTAIN**

**CONDITION:**

**SOLUTION:**

**NO WATER FLOW:**



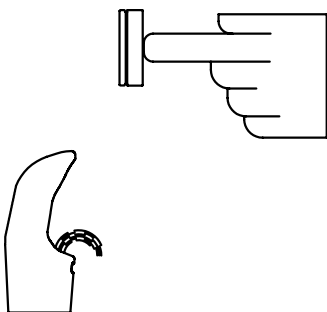
- 1.1 Check water main supply – open.
- 1.2 Inspect stop (by others) – open & no debris.
- 1.3 Inspect in–line strainer for debris – clean.
- 1.4 Replace valve cartridge.

**WATER DRIPS / WILL NOT SHUT OFF:**



- 2.1 For push pad activated drinking fountains only: Open fixture and move valve bracket assembly further back from push pad.
- 2.2 Replace valve cartridge.

**REDUCED WATER FLOW:**



- 3.1 Adjust the valve flow rate. See appropriate fixture installation instructions.
- 3.2 Check water main supply for 20 psig minimum flow pressure.
- 3.3 Inspect stop (by others) – open & no debris.
- 3.4 Inspect in–line strainer for debris – clean.
- 3.5 Inspect bubbler for debris – clean.
- 3.6 Inspect all tubing for twists or kinks.
- 3.7 Replace valve cartridge.